

SICK.COM



DATA SHEET

PLB-5250100

PLB
Robot guidance systems

SICK Sensor Intelligence

ROBOT GUIDANCE SYSTEMS

PLB-5250100

ORDERING INFORMATION

| Type | part no. |
|-------------|-------------------------|
| PLB-5250100 | 1129626 |

Further device versions and accessories at www.sick.com/PLB



DETAILED TECHNICAL DATA

FEATURES

| | |
|------------------------------------|--|
| Product version | PLB-515 |
| Field of view | Large |
| Classification | Core |
| Tasks | Position determination |
| Applications | Robot guidance |
| Camera type | 3D snapshot |
| Example volume of view (L x W x H) | 600 mm x 500 mm x 500 mm |
| Image resolution | 0.38 mm ... 1.36 mm, depending on the distance to the camera |
| Light source | LED, blue, 465 nm |
| LED class | Risk group 0 (Exempt, IEC62471 : 2006) |
| Localization principle | Edge localization |
| Technology | 3D snapshot, image analysis |

MECHANICS/ELECTRONICS

| | |
|------------------------|-------------------------------|
| Connection type | M9 male connector, 7-pin |
| Supply voltage | 12 V ... 24 V, Or PoE Class 3 |
| Current consumption | 2 A |
| Dimensions (L x W x H) | 192 mm x 50 mm x 52 mm |
| Weight | 650 g |
| Enclosure rating | IP65 / IP67 |

PERFORMANCE

| | |
|------------------------|-----------------------------------|
| Part localization time | 3 s ... 10 s, typical |
| Part size | (approx.) > 50 mm x 50 mm x 50 mm |
| Part characteristics | Simple and complex part shapes |

INTERFACES

| | | |
|----------|------------------------|--|
| Ethernet | Data transmission rate | 1 Gbit/s (camera), 10/100 Mbit/s (robot) |
| | Protocol | TCP/IP (camera) |
| | Electrical connection | RJ45 |

AMBIENT DATA

| | |
|--------------------------------|--|
| Ambient temperature, operation | 0 °C ... +40 °C, Non-condensing |
| Shock load | 80 g/1,9 ms, 25 g / 6 ms ¹⁾ |
| Vibration load | 30-500 Hz / 10 g ²⁾ |

¹⁾ IEC 60068-2-27.

²⁾ IEC 60068-2-6.

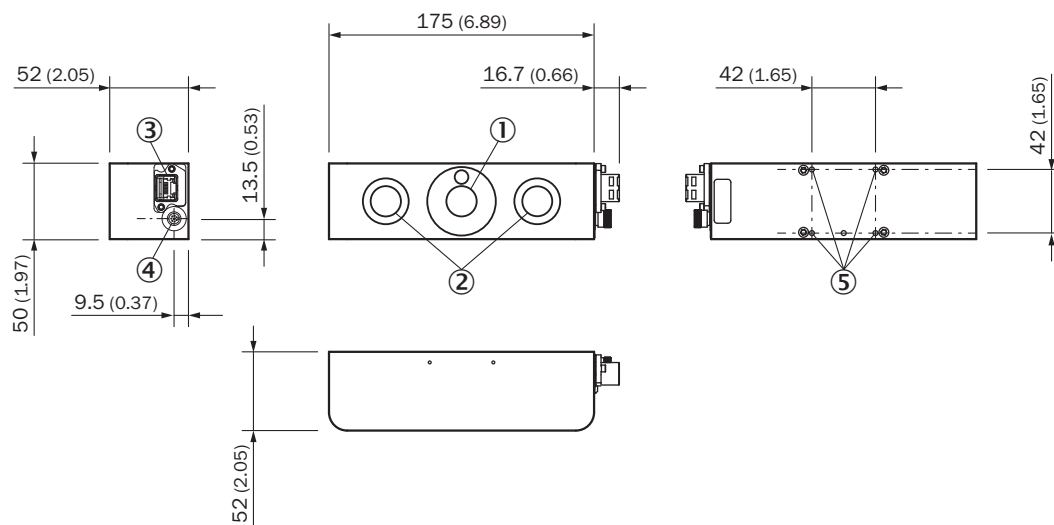
GENERAL NOTES

| | |
|--------------------|--|
| Items supplied | N36 camera PLB Application Software |
| Factory calibrated | ✓ |

CERTIFICATES

| | |
|---|---|
| ACMA declaration of conformity | ✓ |
| China RoHS | ✓ |
| Information according to Art. 3 of Data Act (Regulation EU 2023/2854) | ✓ |

DIMENSIONAL DRAWING



Dimensions in mm (inch)

- ① LED projection module
- ② Image sensor
- ③ Ethernet (RJ45)
- ④ Power / I/O (Binder 712, 7-pin)
- ⑤ Fastening threads (4x M4 x 0.7 mm, 8 mm deep)

Further information as well as suitable accessories, example applications and downloads such as CAD dimensional models, operating instructions and software can be found at www.sick.com/1129626



SICK AG
WALDKIRCH
GERMANY
SICK.COM

SICK AT A GLANCE

SICK is a leading global technology company for intelligent sensors and integrated solutions in industrial automation. Our technologies set benchmarks, making your industrial processes more efficient, safer and more sustainable – both in logistics and manufacturing operations.

SICK combines sensor intelligence with industry expertise and certified consulting services. We provide the ideal foundation for scalable as well as tailor-made automation solutions and create added value along the entire value chain. Our close partnerships with our customers are more than just a promise: Together, we optimize productivity, improve quality, protect health and safety, and help build a sustainable future. All with empathy and trust.

Since 1946, we have been developing innovative technologies with passion and a pioneering spirit. With a global network in around 40 countries, SICK has a global presence and is always close by. The company's headquarters are located in Waldkirch near Freiburg, Germany. Our customers benefit from our understanding of both local and global requirements, which enables us to deliver tailor-made solutions

SICK
Sensor Intelligence