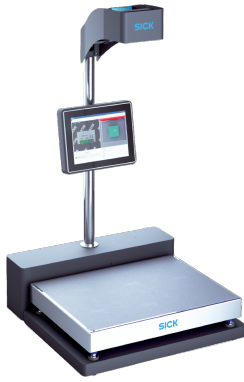


MDAV-L632

Master Data Analyzer Vision

TRACK AND TRACE SYSTEMS

SICK
Sensor Intelligence.



Ordering information

Type	part no.
MDAV-L632	1124991

Other models and accessories → www.sick.com/Master_Data_Analyzer_Vision



Detailed technical data

Features

Products by tasks	Measuring - Dimension, contour and volume Measuring - Weight Identifying - 1D code Identifying - 2D code
Sensor resolution	1 Mpixel
Focus	Adjustable focus (manually)
Including image recording	✓
Object infeed and outfeed	Manual
Reading field size for code reading	Standard FOV
Color image properties	Standard resolution (1 mpixel)
Legal-for-trade	NTEP (Dimensioning, Weighing), OIML (Weighing), CWM (Weighing)

Mechanics/electronics

Dimensions, system (L x W x H)	690 mm x 700 mm x 1,330 mm
Enclosure rating	IP20
Supply voltage	24 V DC ¹⁾
Panel PC	12" touch display (1024 x 768 RGB)
Trigger	Automatic when placing an object
Total weight	70 kg
External power supply	AC 100 V ... 240 V, 50 Hz ... 60 Hz

¹⁾ SELV.

Performance

Code types	1D 2D Stacked code PDF417 Aztec 4-state Maxi-Code
-------------------	---

Minimum object size	40 mm x 40 mm x 10 mm
Maximum object size	600 mm x 500 mm x 400 mm (up to) 800 mm x 500 mm x 200 mm
Throughput	1000 pph
Accuracy of object coverage	Typ. ± 5 mm x ± 5 mm x ± 2 mm (Cubic objects) Typ. ± 5 mm x ± 5 mm x ± 5 mm (known shapes) Irregular objects: accuracy depends on object shape
Accuracy of scale	d = 5 g (40 g ... 15 kg), d = 10 g (15 kg ... 30 kg), d = 20 g (30 kg ... 60 kg), LFT: e = 20 g (100 g ... 60 kg)
Certification	NTEP (Dimensioning, Weighing), OIML (Weighing), CWM (Weighing)
Code types for high reading speed (recommendation)	1D
Reading speed	60 ms - 680 ms (decoding time 1D, depending on background)

Interfaces

Ethernet	✓, TCP/IP, FTP, SFTP
Output data	Maximum dimensions (length, width, height) of Minimum Bounding Box Volume (the minimum bounding box) Code data Weight Custom fields (up to 6) Status Image output in .jpg Data output in .txt, other formats like .csv, .xml etc. on request (customer-specific)

Ambient data

Ambient operating temperature	0 °C ... +40 °C
Ambient temperature, storage	-20 °C ... +60 °C
Permissible relative humidity	≤ 90 %, Non-condensing

General notes

Items supplied	MDAV Basis including Visionary-S Platform scale Power supply unit Lector632
-----------------------	--

Certificates

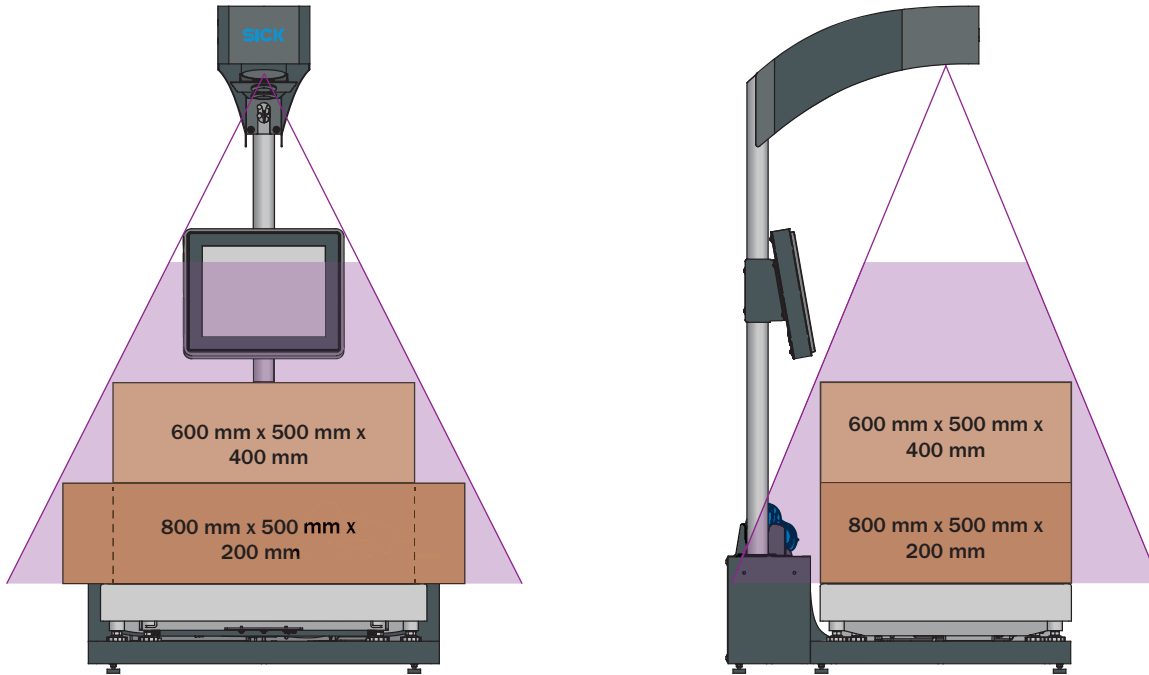
EU declaration of conformity	✓
UK declaration of conformity	✓
China RoHS	✓

Classifications

ECLASS 5.0	27281001
ECLASS 5.1.4	27280190
ECLASS 6.0	27280190
ECLASS 6.2	27280190
ECLASS 7.0	27280190
ECLASS 8.0	27280190
ECLASS 8.1	27280190
ECLASS 9.0	27280190
ECLASS 10.0	27280190

ECLASS 11.0	27280190
UNSPSC 16.0901	43211701

Field of view



SICK AT A GLANCE

SICK is one of the leading manufacturers of intelligent sensors and sensor solutions for industrial applications. A unique range of products and services creates the perfect basis for controlling processes securely and efficiently, protecting individuals from accidents and preventing damage to the environment.

We have extensive experience in a wide range of industries and understand their processes and requirements. With intelligent sensors, we can deliver exactly what our customers need. In application centers in Europe, Asia and North America, system solutions are tested and optimized in accordance with customer specifications. All this makes us a reliable supplier and development partner.

Comprehensive services complete our offering: SICK LifeTime Services provide support throughout the machine life cycle and ensure safety and productivity.

For us, that is “Sensor Intelligence.”

WORLDWIDE PRESENCE:

Contacts and other locations –www.sick.com