



# IMM05-2B5POVU2S

IMM

INDUCTIVE PROXIMITY SENSORS

**SICK**  
Sensor Intelligence.



### Ordering information

| Type            | part no. |
|-----------------|----------|
| IMM05-2B5POVU2S | 1114519  |

Other models and accessories → [www.sick.com/IMM](http://www.sick.com/IMM)

Illustration may differ



### Detailed technical data

#### Features

|  |  |
|--|--|
| <b>Housing</b>                             | Metric   |
| <b>Housing</b>                             | Standard design  |
| <b>Thread size</b>                         | M5 x 0.5   |
| <b>Diameter</b>                            | Ø 5 mm   |
| <b>Sensing range <math>S_n</math></b>      | 2.5 mm   |
| <b>Safe sensing range <math>S_a</math></b> | 2.025 mm   |
| <b>Installation type</b>                   | Quasi-flush  |
| <b>Switching frequency</b>                 | 4,000 Hz   |
| <b>Connection type</b>                     | Cable, 3-wire, 2 m   |
| <b>Switching output</b>                    | PNP  |
| <b>Switching output detail</b>             | PNP  |
| <b>Output function</b>                     | NC   |
| <b>Electrical wiring</b>                   | DC 3-wire  |
| <b>Enclosure rating</b>                    | IP67 <sup>1)</sup>   |
| <b>Special features</b>                    | Visual adjustment indicator, triple sensing range  |
| <b>Items supplied</b>                      | Mounting nut, V2A stainless steel (2x)<br>Washer, V2A stainless steel, with locking teeth (2x)<br>Cable flag, Polymatic 50 (1 x) |

<sup>1)</sup> According to EN 60529.

Mechanics/electronics

|   |  |
|---|--|
| <b>Supply voltage</b>                       | 10 V DC ... 30 V DC                        |
| <b>Ripple</b>                               | ≤ 20 % <sup>1)</sup>                       |
| <b>Voltage drop</b>                         | ≤ 2 V <sup>2)</sup>                        |
| <b>Time delay before availability</b>       | ≤ 30 ms                                    |
| <b>Hysteresis</b>                           | 1 % ... 20 %                               |
| <b>Reproducibility</b>                      | ≤ 2.5 % <sup>3)</sup>                      |
| <b>Temperature drift (of S<sub>r</sub>)</b> | ≤ 10 %                                     |
| <b>EMC</b>                                  | EN 60947-5-2                               |
| <b>Continuous current I<sub>a</sub></b>     | ≤ 100 mA                                   |
| <b>Cable material</b>                       | PUR  |
| <b>Conductor size</b>                       | 0.14 mm <sup>2</sup>                       |
| <b>Cable diameter</b>                       | Ø 2.9 mm                                   |
| <b>Short-circuit protection</b>             | ✓  |
| <b>Power-up pulse protection</b>            | ✓  |
| <b>Shock and vibration resistance</b>       | 30 g, 11 ms / 10 ... 55 Hz, 1 mm           |
| <b>Ambient operating temperature</b>        | -10 °C ... +60 °C                          |
| <b>Housing material</b>                     | Stainless steel V2A, DIN 1.4305 / AISI 303 |
| <b>Sensing face material</b>                | Plastic, LCP                               |
| <b>Housing length</b>                       | 25 mm                                      |
| <b>Thread length</b>                        | 23 mm                                      |
| <b>Tightening torque, max.</b>              | ≤ 1.5 Nm                                   |
| <b>UL File No.</b>                          | NRKH.E348498                               |

<sup>1)</sup> Of V<sub>S</sub>.

<sup>2)</sup> With I<sub>a</sub> = 200 mA.

<sup>3)</sup> Supply voltage U<sub>B</sub> and constant ambient temperature T<sub>a</sub>.

Safety-related parameters

|                         |             |
|-------------------------|-------------|
| <b>MTTF<sub>D</sub></b> | 1,350 years |
| <b>DC<sub>avg</sub></b> | 0%          |

Reduction factors

|                                   |  |
|-----------------------------------|--|
| <b>Note</b>                       | The values are reference values which may vary |
| <b>St37 steel (Fe)</b>            | 1  |
| <b>Stainless steel (V2A, 304)</b> | Approx. 0.65                                   |
| <b>Aluminum (Al)</b>              | Approx. 0.38                                   |
| <b>Copper (Cu)</b>                | Approx. 0.33                                   |
| <b>Brass (Br)</b>                 | Approx. 0.41                                   |

Installation note

|               |                                       |
|---------------|---------------------------------------|
| <b>Remark</b> | Associated graphic see "Installation" |
| <b>A</b>      | 1 mm                                  |
| <b>B</b>      | 6 mm                                  |

|          |        |
|----------|--------|
| <b>C</b> | 5 mm   |
| <b>D</b> | 7.5 mm |
| <b>E</b> | 2 mm   |
| <b>F</b> | 9 mm   |

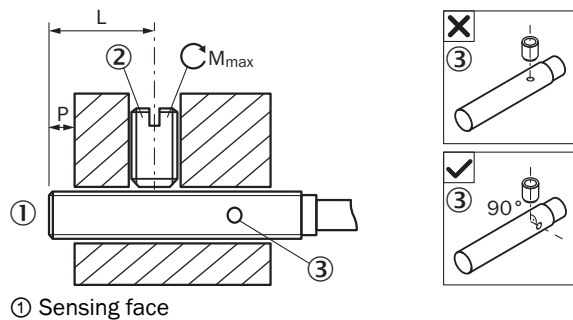
### Certificates

|   |   |
|---|---|
| <b>EU declaration of conformity</b>       | ✓ |
| <b>UK declaration of conformity</b>       | ✓ |
| <b>ACMA declaration of conformity</b>     | ✓ |
| <b>Moroccan declaration of conformity</b> | ✓ |
| <b>China RoHS</b>                         | ✓ |
| <b>cULus certificate</b>                  | ✓ |
| <b>IO-Link certificate</b>                | ✓ |

### Classifications

|                       |          |
|-----------------------|----------|
| <b>ECLASS 5.0</b>     | 27270101 |
| <b>ECLASS 5.1.4</b>   | 27270101 |
| <b>ECLASS 6.0</b>     | 27270101 |
| <b>ECLASS 6.2</b>     | 27270101 |
| <b>ECLASS 7.0</b>     | 27270101 |
| <b>ECLASS 8.0</b>     | 27270101 |
| <b>ECLASS 8.1</b>     | 27270101 |
| <b>ECLASS 9.0</b>     | 27270101 |
| <b>ECLASS 10.0</b>    | 27270101 |
| <b>ECLASS 11.0</b>    | 27270101 |
| <b>ECLASS 12.0</b>    | 27274001 |
| <b>ETIM 5.0</b>       | EC002714 |
| <b>ETIM 6.0</b>       | EC002714 |
| <b>ETIM 7.0</b>       | EC002714 |
| <b>ETIM 8.0</b>       | EC002714 |
| <b>UNSPSC 16.0901</b> | 39122230 |

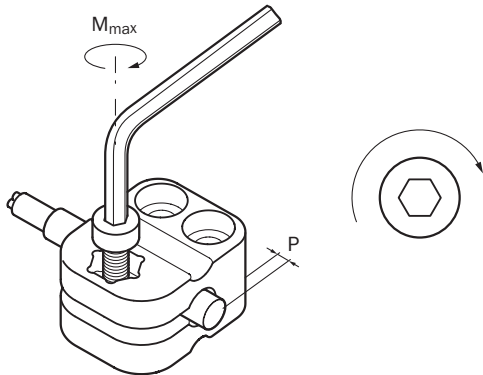
### Installation note Fixing with setscrew



- ② Recommended setscrew: M3, flat point
- ③ Display LED

| Sensor type     | Overrun (P) | Mounting area (L) | Max. tightening torque ( $M_{max}$ ) |
|-----------------|-------------|-------------------|--------------------------------------|
| IMM05-2B5*****K | $\geq 2$ mm | 7.5 mm ... 9 mm   | $\leq 0.2$ Nm                        |
| IMM05-2B5*****S | $\geq 2$ mm | 7.5 mm ... 19 mm  | $\leq 0.2$ Nm                        |
| IMM05-2B5***TOS | $\geq 2$ mm | 7.5 mm ... 18 mm  | $\leq 0.2$ Nm                        |

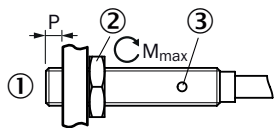
Installation note Mounting using BEF-KH-M05 bracket



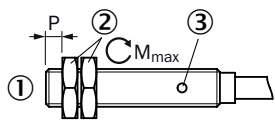
| Sensor type    | Mounting adapter             | Overrun (P) | Max. tightening torque ( $M_{max}$ ) |
|----------------|------------------------------|-------------|--------------------------------------|
| IMM05-2B5***** | BEF-KH-M05, part no. 2101066 | $\geq 2$ mm | $\leq 0.6$ Nm                        |

Installation note Mounting using mounting nuts

Mounting using one mounting nut



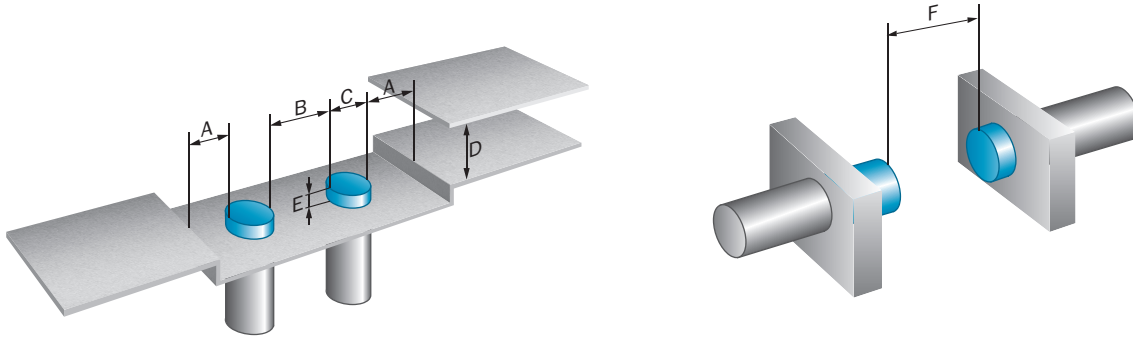
Mounting using two mounting nuts



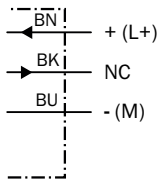
- ① Sensing face
- ② Fastening nut
- ③ Display LED

| Sensor type    | Overrun (P) | Max. tightening torque ( $M_{max}$ ) |
|----------------|-------------|--------------------------------------|
| IMM04-1B5***** | $\geq 2$ mm | $\leq 0.8$ Nm                        |
| IMM05-2B5***** | $\geq 2$ mm | $\leq 1.5$ Nm                        |

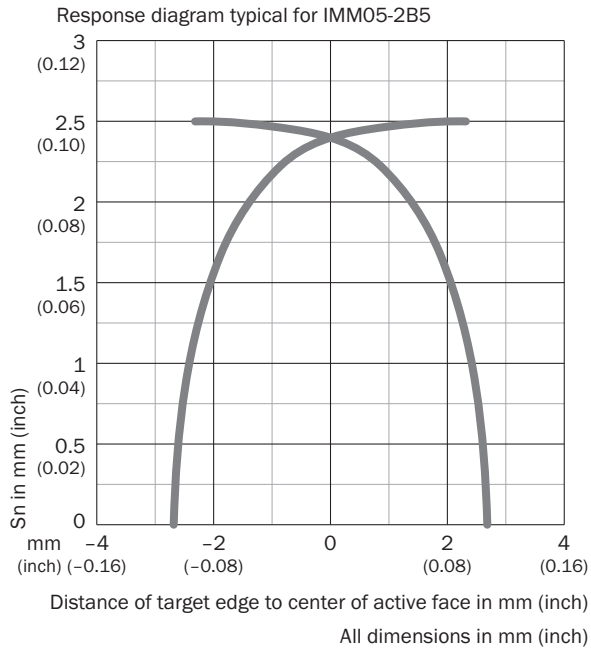
Installation note Quasi-flush installation



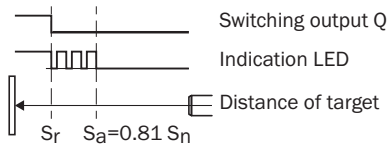
Connection diagram Cd-003



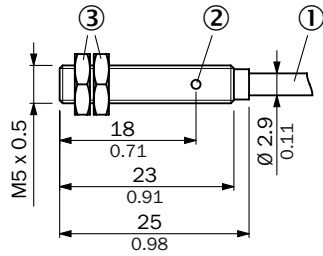
Response diagram



### Functional principle Installation aid



### Dimensional drawing IMM05, standard variant, flush, cable










Dimensions in mm (inch)

- ① Connection
- ② function indicator
- ③ fastening nuts (2 x); 8 mm hex, stainless steel

### Recommended accessories

Other models and accessories → [www.sick.com/IMM](http://www.sick.com/IMM)

|   | Brief description   | Type       | part no. |
|---|---|------------|----------|
| Mounting systems  |   |            |          |
|  | <ul style="list-style-type: none"> <li>• <b>Material:</b> Plastic</li> <li>• <b>Details:</b> Plastic (PA6)</li> <li>• <b>Items supplied:</b> Without mounting hardware</li> <li>• <b>Usable for:</b> Round sensors with 5 mm housing diameter without fixed stop</li> </ul> | BEF-KH-M05 | 2101066  |

|  | Brief description  | Type               | part no. |
|--|--|--------------------|----------|
| connectors and cables  |  |                    |          |
|   | <ul style="list-style-type: none"> <li>• <b>Number of slots:</b> 4</li> <li>• <b>Slot connection type:</b> M8, 3-pin, A-coded, female connector</li> <li>• <b>Items supplied:</b> 5 x labeling plates</li> <li>• <b>Description:</b> Unshielded</li> </ul>   | Y8A34A2-C2A8000XXX | 2115733  |
|   | <ul style="list-style-type: none"> <li>• <b>Number of slots:</b> 4</li> <li>• <b>Slot connection type:</b> M8, 3-pin, A-coded, female connector</li> <li>• <b>Items supplied:</b> 5 x labeling plates</li> <li>• <b>Cable:</b> 5 m, 6-wire, PUR, halogen-free</li> <li>• <b>Description:</b> Unshielded</li> <li>• <b>Application:</b> Drag chain operation</li> </ul> | Y8A34A2-LXXXUAA050 | 2115727  |
|   | <ul style="list-style-type: none"> <li>• <b>Number of slots:</b> 6</li> <li>• <b>Slot connection type:</b> M8, 3-pin, A-coded, female connector</li> <li>• <b>Items supplied:</b> 5 x labeling plates</li> <li>• <b>Description:</b> Unshielded</li> </ul>   | Y8A36A2-C2A8000XXX | 2115734  |
|   | <ul style="list-style-type: none"> <li>• <b>Number of slots:</b> 6</li> <li>• <b>Slot connection type:</b> M8, 3-pin, A-coded, female connector</li> <li>• <b>Items supplied:</b> 5 x labeling plates</li> <li>• <b>Cable:</b> 5 m, 8-wire, PUR, halogen-free</li> <li>• <b>Description:</b> Unshielded</li> <li>• <b>Application:</b> Drag chain operation</li> </ul> | Y8A36A2-LXXXUBA050 | 2115728  |
|   | <ul style="list-style-type: none"> <li>• <b>Description:</b> Unshielded</li> <li>• <b>Connection type head A:</b> Male connector, M8, 3-pin, straight, A-coded</li> <li>• <b>Connection systems:</b> Screw-type terminals</li> <li>• <b>Permitted cross-section:</b> 0.14 mm<sup>2</sup> ... 0.5 mm<sup>2</sup></li> </ul>   | STE-0803-G         | 6037322  |
|  | <ul style="list-style-type: none"> <li>• <b>Description:</b> Unshielded</li> <li>• <b>Connection type head A:</b> Male connector, M8, 3-pin, angled, A-coded</li> <li>• <b>Connection systems:</b> Screw-type terminals</li> <li>• <b>Permitted cross-section:</b> 0.14 mm<sup>2</sup> ... 0.5 mm<sup>2</sup></li> </ul>   | STE-0803-WSK       | 6053170  |

## SICK AT A GLANCE

SICK is one of the leading manufacturers of intelligent sensors and sensor solutions for industrial applications. A unique range of products and services creates the perfect basis for controlling processes securely and efficiently, protecting individuals from accidents and preventing damage to the environment.

We have extensive experience in a wide range of industries and understand their processes and requirements. With intelligent sensors, we can deliver exactly what our customers need. In application centers in Europe, Asia and North America, system solutions are tested and optimized in accordance with customer specifications. All this makes us a reliable supplier and development partner.

Comprehensive services complete our offering: SICK LifeTime Services provide support throughout the machine life cycle and ensure safety and productivity.

For us, that is “Sensor Intelligence.”

## WORLDWIDE PRESENCE:

Contacts and other locations –[www.sick.com](http://www.sick.com)