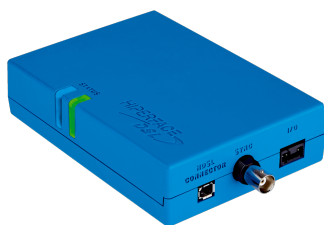


PGT-13-S

PROGRAMMING DEVICES

SICK
Sensor Intelligence.



Ordering information

Type	part no.
PGT-13-S	1113462

Other models and accessories → www.sick.com/PGT-13-S



Detailed technical data

Features

Product segment	Programming devices
Product	PGT-13-S
Description	Programming tool for motor feedback systems with the HIPERFACE DSL® communication interface
Suitable for	EDS/EDM35, EES/EEM37, EKS/EKM36, EFS/EFM50, ETL70, sHub®
Included in delivery	1x programming tool PGT-13-S, 1x power supply unit 100-240-V AC~/~5 V DC, primary adapter (Europe), Ethernet cable 3-m, connecting cable for motor feedback system
Dimensions (W x H x L)	97.2 mm x 32.8 mm x 139.4 mm

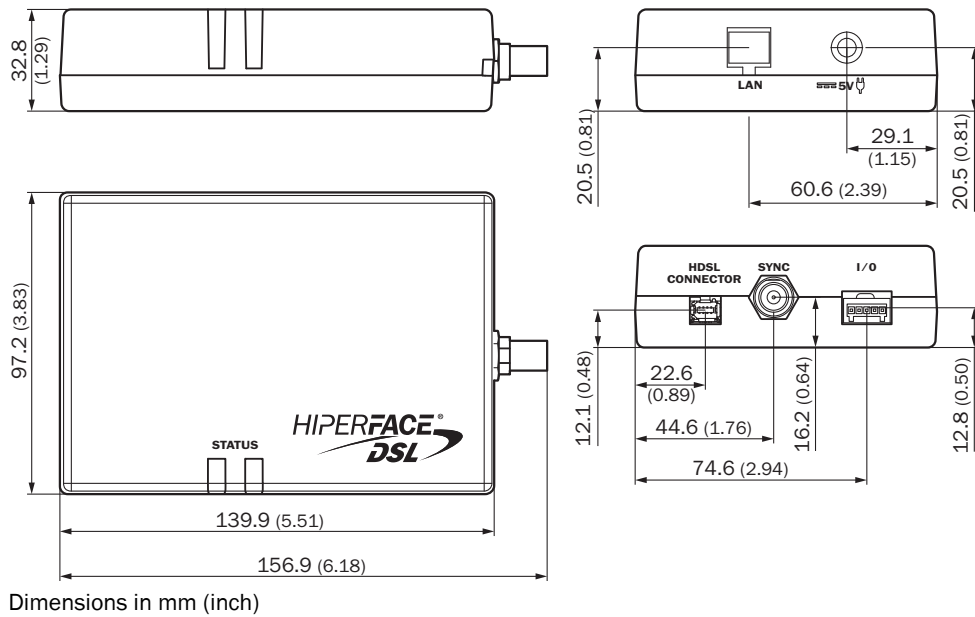
Classifications

UNSPSC 16.0901	32151707
-----------------------	----------

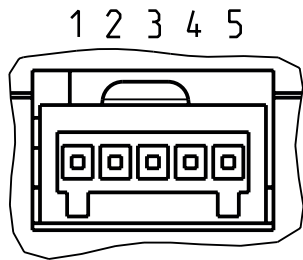
Certificates

EU declaration of conformity	✓
UK declaration of conformity	✓
ACMA declaration of conformity	✓
Moroccan declaration of conformity	✓
China RoHS	✓
EC-Type-Examination approval	✓

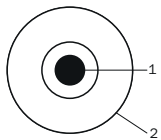
Dimensional drawing



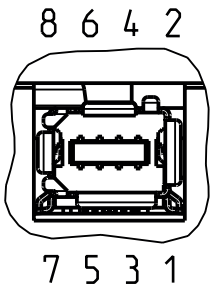
PIN assignment PORT I/O



PIN assignment SYNC input

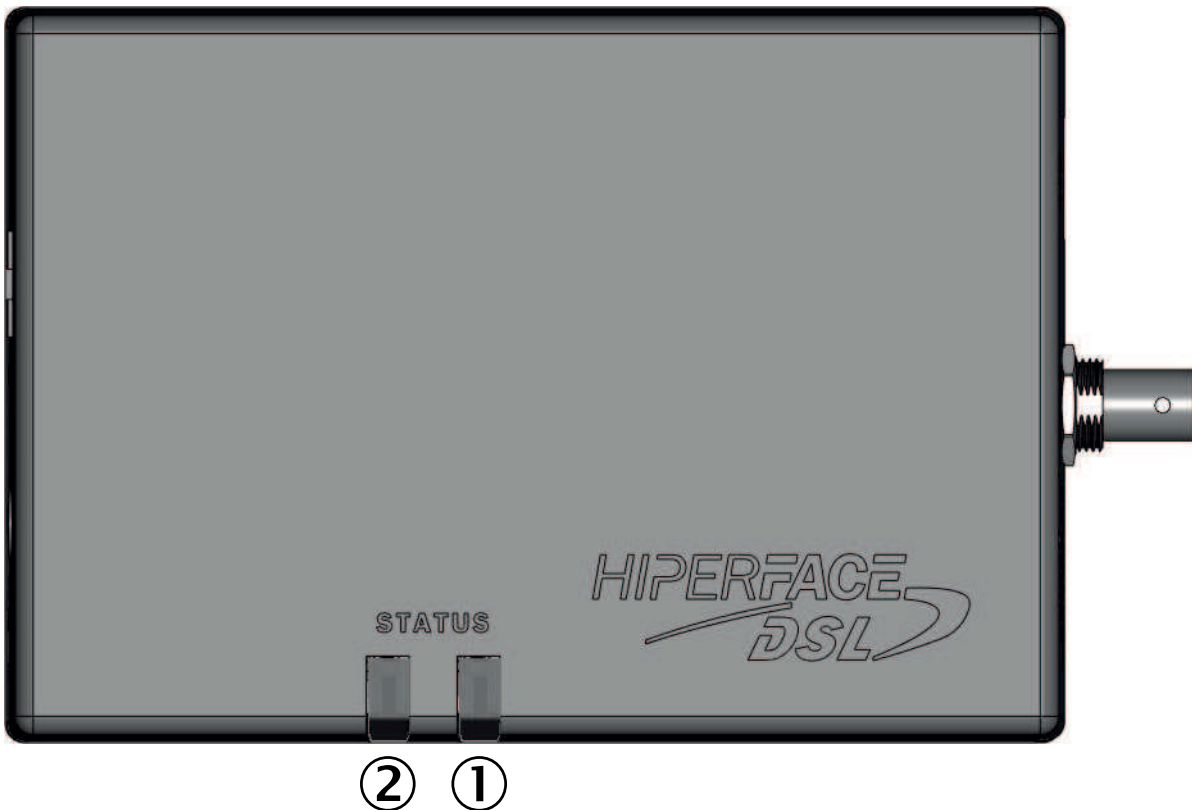


PIN assignment HIPERFACE DSL® IN/OUT



PIN	Signal	Description
1	N.c.	Not connected
2	U _S /DSL+	12 V supply / HIPERFACE DSL® data to slave
3	GND/DSL-	Ground / HIPERFACE DSL® data to slave
4	N.c.	Not connected
5	N.c.	Not connected
6	DSL+	HIPERFACE DSL® data to master
7	DSL-	HIPERFACE DSL® data to master
8	N.c.	Not connected

Instruction for installation Display LED



No meaning in Emulator mode, continuously lights up red.

Recommended accessories

Other models and accessories → www.sick.com/PGT-13-S

	Brief description	Type	part no.
Mounting systems			
	<ul style="list-style-type: none"> Description: Mounting rail clip for PGT-13-S, clamp and alignment brackets for mounting rail 	HBEF-HPS-PGT-13-S	2123739
connectors and cables			
	<ul style="list-style-type: none"> Connection type head A: Male connector, JST, 4-pin, straight Connection type head B: Male connector, Mini Industrial I/O, 8-pin, straight Signal type: HIPERFACE DSL® Cable: 1 m Description: HIPERFACE DSL®, shielded 	YFJSA4-010EG1M-MIA8	2117790
	<ul style="list-style-type: none"> Connection type head A: Male connector, M12, 4-pin, straight Connection type head B: Male connector, Mini Industrial I/O, 8-pin, straight Signal type: HIPERFACE DSL® Cable: 1 m Description: HIPERFACE DSL®, shielded Application: Uncontaminated zones, Zones with oils and lubricants, Robot, Drag chain operation 	YF2A24-020UB4M-MIA8	2124673

SICK AT A GLANCE

SICK is one of the leading manufacturers of intelligent sensors and sensor solutions for industrial applications. A unique range of products and services creates the perfect basis for controlling processes securely and efficiently, protecting individuals from accidents and preventing damage to the environment.

We have extensive experience in a wide range of industries and understand their processes and requirements. With intelligent sensors, we can deliver exactly what our customers need. In application centers in Europe, Asia and North America, system solutions are tested and optimized in accordance with customer specifications. All this makes us a reliable supplier and development partner.

Comprehensive services complete our offering: SICK LifeTime Services provide support throughout the machine life cycle and ensure safety and productivity.

For us, that is “Sensor Intelligence.”

WORLDWIDE PRESENCE:

Contacts and other locations –www.sick.com