



# SLG25S-050FBKB1K01

FlexChain

AUTOMATION LIGHT GRIDS

**SICK**  
Sensor Intelligence.



Illustration may differ



### Ordering information

| Type               | part no. |
|--------------------|----------|
| SLG25S-050FBKB1K01 | 1108062  |

Other models and accessories → [www.sick.com/FlexChain](http://www.sick.com/FlexChain)

### Detailed technical data

#### Features

|  |                                      |
|--|--------------------------------------|
| <b>Device version</b>                  | FlexChain Guest                      |
| <b>Sensor principle</b>                | Sender/receiver<br>Light grid system |
| <b>Minimum detectable object (MDO)</b> | 30 mm                                |
| <b>Beam separation</b>                 | 25 mm                                |
| <b>Optical light exit</b>              | Flat                                 |
| <b>Number of beams</b>                 | 20                                   |
| <b>Detection height</b>                | 500 mm                               |

#### Mechanics/electronics

|  |  |
|--|--|
| <b>Light source</b>                    | Infrared light   |
| <b>Wave length</b>                     | 850 nm   |
| <b>Supply voltage <math>V_s</math></b> | Via FlexChain (host)   |
| <b>Output load, capacitive</b>         | 100 nF   |
| <b>Output load, Inductive</b>          | 1 H  |
| <b>Initialization time</b>             | 1 s  |
| <b>Dimensions (W x H x D)</b>          | 11.8 mm x 499.2 mm x 24.1 mm   |
| <b>Connection type</b>                 | Cable with M8 male connector, 4-pin, Cable with female connector, M8, 4-pin, 1.5 m |
| <b>Indication</b>                      | LED  |
| <b>Synchronization</b>                 | Via FlexChain (host)   |
| <b>Enclosure rating</b>                | IP65, IP67<br>1)   |
| <b>Circuit protection</b>              | $U_V$ connections, reverse polarity protected<br>Interference pulse suppression    |

<sup>1)</sup> Operating in outdoor condition only with a external protection housing.

|                         |   |
|-------------------------|---|
|                         | Outputs overcurrent and short-circuit protected |
| <b>Protection class</b> | III   |
| <b>Weight</b>           | 365 g   |
| <b>Front screen</b>     | PMMA  |

<sup>1)</sup> Operating in outdoor condition only with a external protection housing.

### Performance

|                        |        |
|------------------------|--------|
| <b>Maximum range</b>   | 9.1 m  |
| <b>Minimum range</b>   | ≥ 0 m  |
| <b>Operating range</b> | 6.5 m  |
| <b>Scanning time</b>   | 1.8 ms |

### Ambient data

|                                      |                                   |
|--------------------------------------|-----------------------------------|
| <b>Shock resistance</b>              | 10 g, 16 ms, DIN EN 60068-2-27    |
| <b>Vibration resistance</b>          | 10-150 Hz 0.5 mm, IEC 60068-2-6   |
| <b>EMC</b>                           | EN 61000-6-2, EN 61000-6-4        |
| <b>Ambient light immunity</b>        | Indirect: 50,000 lx <sup>1)</sup> |
| <b>Ambient operating temperature</b> | -25 °C ... +55 °C                 |
| <b>Ambient temperature, storage</b>  | -25 °C ... +70 °C                 |

<sup>1)</sup> Sunlight.

### Certificates

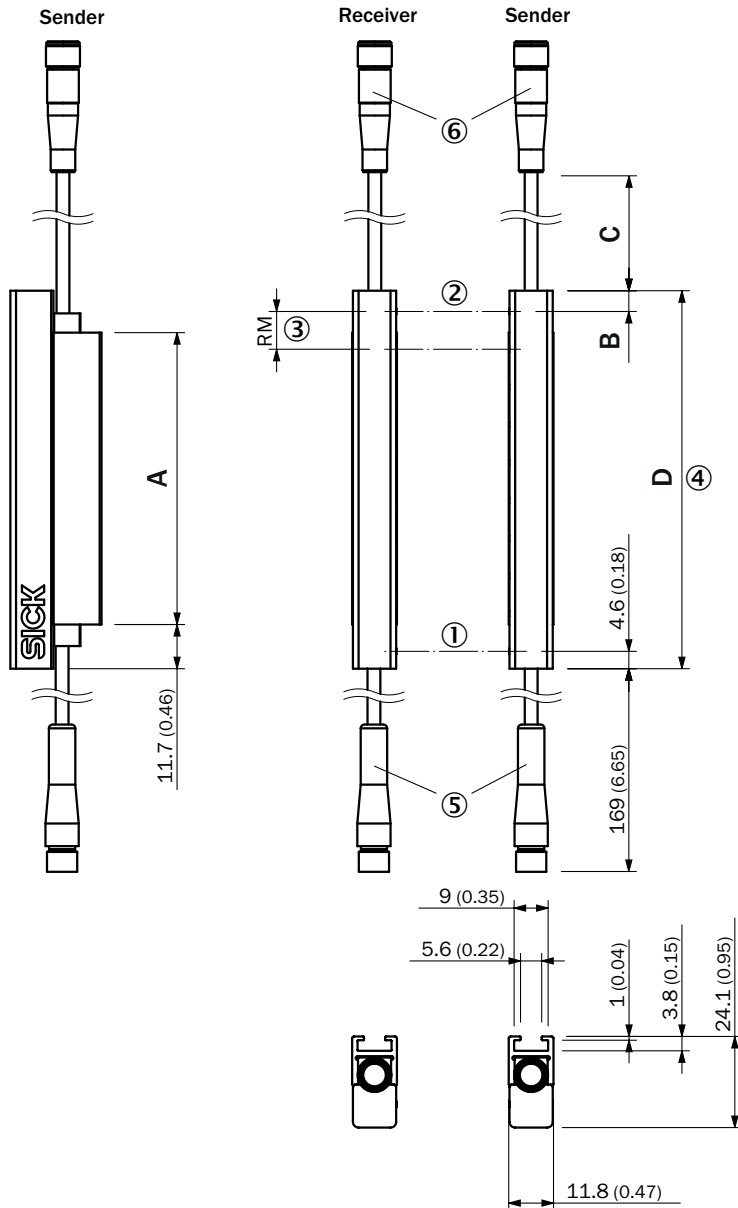
|  |   |
|--|---|
| <b>EU declaration of conformity</b>  | ✓ |
| <b>UK declaration of conformity</b>  | ✓ |
| <b>ACMA declaration of conformity</b>  | ✓ |
| <b>Moroccan declaration of conformity</b>                                    | ✓ |
| <b>China RoHS</b>  | ✓ |
| <b>cULus certificate</b>   | ✓ |
| <b>Photobiological safety (IEC EN 62471)</b>                                 | ✓ |
| <b>Information according to Art. 3 of Data Act (Regulation EU 2023/2854)</b> | ✓ |

### Classifications

|                     |          |
|---------------------|----------|
| <b>ECLASS 5.0</b>   | 27270910 |
| <b>ECLASS 5.1.4</b> | 27270910 |
| <b>ECLASS 6.0</b>   | 27270910 |
| <b>ECLASS 6.2</b>   | 27270910 |
| <b>ECLASS 7.0</b>   | 27270910 |
| <b>ECLASS 8.0</b>   | 27270910 |
| <b>ECLASS 8.1</b>   | 27270910 |
| <b>ECLASS 9.0</b>   | 27270910 |
| <b>ECLASS 10.0</b>  | 27270910 |
| <b>ECLASS 11.0</b>  | 27270910 |
| <b>ECLASS 12.0</b>  | 27270910 |

|                       |          |
|-----------------------|----------|
| <b>ETIM 5.0</b>       | EC002549 |
| <b>ETIM 6.0</b>       | EC002549 |
| <b>ETIM 7.0</b>       | EC002549 |
| <b>ETIM 8.0</b>       | EC002549 |
| <b>UNSPSC 16.0901</b> | 39121528 |

### Dimensional drawing SLGxxx-xxxFxxxxxx



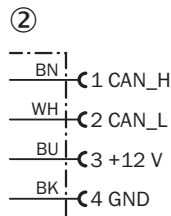
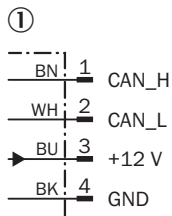
Dimensions in mm (inch)

- ① First beam
- ② last beam
- ③ beam separation (RM)
- ④ Housing length
- ⑤ cable with male connector, M8, 4-pin (fixed)

⑥ cable with female connector, M8, 4-pin (0.5 m / 1.5 m)

| Dimensions in mm (inch)  |                                    |                 |
|--|------------------------------------|-----------------|
| -  | Length of stabilizer               | Housing length  |
|  | <b>A</b>                           | <b>D</b>        |
| SLGxxx- <b>010</b> xxxxxxx   | 77 (3.03)                          | 99,2 (3.91)     |
| SLGxxx- <b>020</b> xxxxxxx   | 178 (7.01)                         | 199,2 (7.84)    |
| SLGxxx- <b>030</b> xxxxxxx   | 276 (10.87)                        | 299,2 (11.78)   |
| SLGxxx- <b>040</b> xxxxxxx   | 376 (14.8)                         | 399,2 (15.72)   |
| SLGxxx- <b>050</b> xxxxxxx   | 475 (18.7)                         | 499,2 (19.65)   |
| SLGxxx- <b>060</b> xxxxxxx   | 576 (22.68)                        | 599,2 (23.6)    |
| SLGxxx- <b>070</b> xxxxxxx   | 676 (26.61)                        | 699,2 (27.53)   |
| SLGxxx- <b>080</b> xxxxxxx   | 776 (30.55)                        | 799,2 (31.46)   |
| SLGxxx- <b>090</b> xxxxxxx   | 875 (34.45)                        | 899,2 (35.4)    |
| SLGxxx- <b>100</b> xxxxxxx   | 975 (38.39)                        | 999,2 (39.34)   |
| SLGxxx- <b>120</b> xxxxxxx   | 1.175 (46.26)                      | 1.199,2 (47.21) |
| SLGxxx- <b>140</b> xxxxxxx   | 1.374 (54.09)                      | 1.399,2 (55.09) |
| -  | -                                  | -               |
| -  | Distance: Housing edge - last beam | -               |
| -  | <b>B<sup>1)</sup></b>              | -               |
| SLG <b>10</b> x-xxxxxxxxxxx  | 4,6 (0.18)                         | -               |
| SLG <b>25</b> x-xxxxxxxxxxx  | 19,6 (0.77)                        | -               |
| SLG <b>50</b> x-xxxxxxxxxxx  | 44,6 (1.76)                        | -               |
| <sup>1)</sup> for detection height less than 700 mm, the dimension deviates up to 1 mm from the dimensions specified here. |                                    |                 |
| -  | -                                  | -               |
| -  | Length of cable                    | -               |
| -  | <b>C</b>                           | -               |
| SLGxxx-xxxxx <b>A</b> xxxx   | 500 (19.69)                        | -               |
| SLGxxx-xxxxx <b>B</b> xxxx   | 1.500 (59.06)                      | -               |

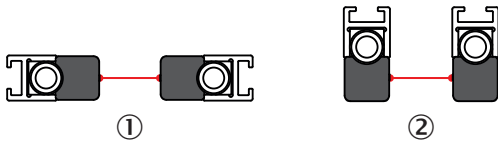
Connection type and diagram



① male connector M8, 4-pin

② Cable with female connector, M8, 4-pin



### Instruction for installation Slim & Flat



- ① Slim model = light emission on narrow side
- ② Flat model = light emission on broad side

### Recommended accessories

Other models and accessories → [www.sick.com/FlexChain](http://www.sick.com/FlexChain)

|   | Brief description   | Type          | part no. |
|---|---|---------------|----------|
| Mounting systems  |   |               |          |
|  | <ul style="list-style-type: none"> <li>• <b>Description:</b> Mounting bracket for switching automation light grids, SLG-2</li> <li>• <b>Packing unit:</b> 4 pieces</li> </ul> | BEF-SLG2-SET1 | 2111623  |
|  | <ul style="list-style-type: none"> <li>• <b>Description:</b> Side mounting for switching automation light grids, SLG-2</li> <li>• <b>Packing unit:</b> 4 pieces</li> </ul>    | BEF-NUT-SLG2  | 2111624  |

## SICK AT A GLANCE

SICK is one of the leading manufacturers of intelligent sensors and sensor solutions for industrial applications. A unique range of products and services creates the perfect basis for controlling processes securely and efficiently, protecting individuals from accidents and preventing damage to the environment.

We have extensive experience in a wide range of industries and understand their processes and requirements. With intelligent sensors, we can deliver exactly what our customers need. In application centers in Europe, Asia and North America, system solutions are tested and optimized in accordance with customer specifications. All this makes us a reliable supplier and development partner.

Comprehensive services complete our offering: SICK LifeTime Services provide support throughout the machine life cycle and ensure safety and productivity.

For us, that is “Sensor Intelligence.”

## WORLDWIDE PRESENCE:

Contacts and other locations –[www.sick.com](http://www.sick.com)