

SICK.COM



DATA SHEET

**IHM06-04NNSVW2K**

IMM  
Inductive proximity sensors

**SICK** Sensor Intelligence

## INDUCTIVE PROXIMITY SENSORS

## IHM06-04NNSVW2K

## ORDERING INFORMATION

Type	part no.
IHM06-04NNSVW2K	1104513

Further device versions and accessories at [www.sick.com/IMM](http://www.sick.com/IMM)



Illustration may differ



## DETAILED TECHNICAL DATA

## FEATURES

Housing	Cylindrical
Housing	Short-body
Diameter	Ø 6.5 mm
Sensing range $S_n$	4 mm
Safe sensing range $S_a$	3.24 mm
Installation type	Non-flush
Switching frequency	3,500 Hz
Connection type	Cable, 3-wire, 2 m
Switching output	NPN
Switching output detail	NPN
Output function	NO
Electrical wiring	DC 3-wire
Enclosure rating	IP67 <sup>1)</sup>
Special features	Visual adjustment indicator

<sup>1)</sup> According to EN 60529.

**MECHANICS/ELECTRONICS**

Supply voltage	10 V DC ... 30 V DC
Ripple	$\leq 20\%$ <sup>1)</sup>
Voltage drop	$\leq 2\text{ V}$ <sup>2)</sup>
Time delay before availability	$\leq 80\text{ ms}$
Hysteresis	1% ... 10%
Reproducibility	$\leq 2\%$ <sup>3)</sup>
Temperature drift (of S <sub>1</sub> )	$\leq 10\%$
EMC	EN 60947-5-2
Continuous current I <sub>a</sub>	$\leq 200\text{ mA}$
Cable material	PVC
Conductor size	0.25 mm <sup>2</sup>
Cable diameter	Ø 3.7 mm
Short-circuit protection	✓
Power-up pulse protection	✓
Shock and vibration resistance	30 g, 11 ms / 10 ... 55 Hz, 1 mm
Ambient operating temperature	-25 °C ... +70 °C
Housing material	Stainless steel V2A, DIN 1.4305 / AISI 303
Sensing face material	Plastic, LCP
Housing length	31.5 mm
UL File No.	NRKH.E348498

<sup>1)</sup> Of V<sub>s</sub>.<sup>2)</sup> With I<sub>a</sub> = 200 mA.<sup>3)</sup> Supply voltage U<sub>s</sub> and constant ambient temperature T<sub>a</sub>.**SAFETY-RELATED PARAMETERS**

MTTF <sub>D</sub>	1,330 years
DC <sub>avg</sub>	0%
T <sub>M</sub> (mission time)	20 years

**REDUCTION FACTORS**

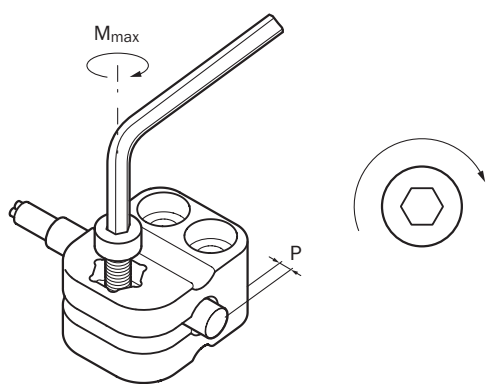
Note	The values are reference values which may vary
St37 steel (Fe)	1
Stainless steel (V2A, 304)	Approx. 0.75
Aluminum (Al)	Approx. 0.5
Copper (Cu)	Approx. 0.43
Brass (Br)	Approx. 0.54

**INSTALLATION NOTE**

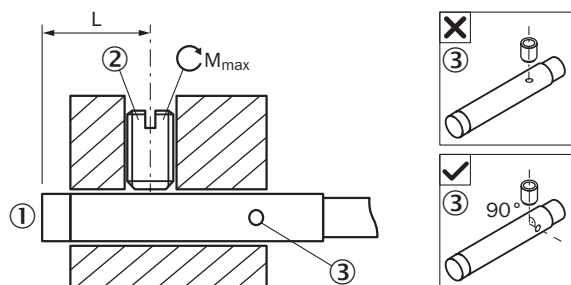
Remark	Associated graphic see "Installation"
A	6.5 mm
B	18 mm
C	6.5 mm
D	12 mm
E	8 mm
F	32 mm

**CERTIFICATES**

EU declaration of conformity	✓
UK declaration of conformity	✓
ACMA declaration of conformity	✓
Moroccan declaration of conformity	✓
China RoHS	✓
cULus certificate	✓
IO-Link certificate	✓
Information according to Art. 3 of Data Act (Regulation EU 2023/2854)	✓

**INSTALLATION NOTE MOUNTING USING BEF-KH-M06 BRACKET**


Sensor type	Mounting adapter	Overrun (P)	Max. tightening torque ( $M_{max}$ )
IHM06-04N***** IHM06-06N*****	BEF-KH-M06, part no. 2101067	$\geq 4$ mm	$\leq 0.6$ Nm

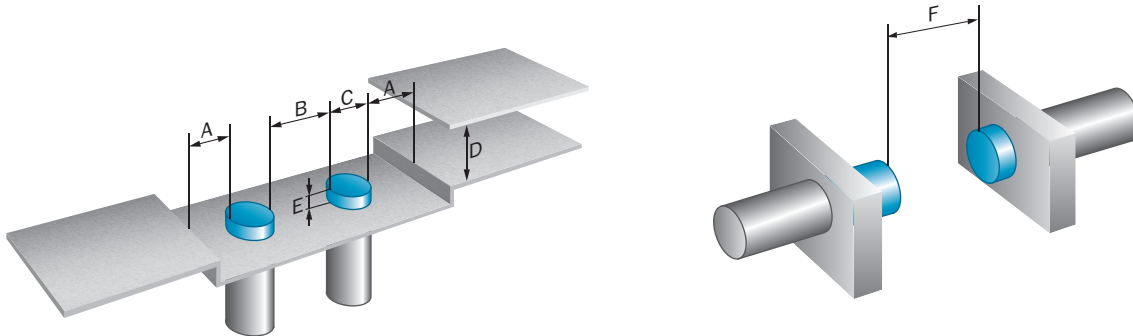
**INSTALLATION NOTE FIXING WITH SETSCREW**


- ① Sensing face
- ② Recommended setscrew: M3, flat point
- ③ Display LED

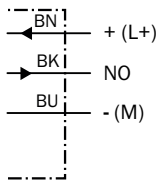
Sensor type	Mounting area (L)	Max. tightening torque ( $M_{max}$ )
IHM06-04N****K	8 mm ... 21 mm	$\leq 0.4$ Nm
IHM06-04N***TOK	8 mm ... 32 mm	$\leq 0.4$ Nm
IHM06-04N*****S	8 mm ... 32 mm	$\leq 0.4$ Nm
IHM06-04N***TOS	8 mm ... 42 mm	$\leq 0.4$ Nm
IHM06-06N****K	12 mm ... 21 mm	$\leq 0.4$ Nm
IHM06-06N***TOK	12 mm ... 32 mm	$\leq 0.4$ Nm
IHM06-06N*****S	12 mm ... 32 mm	$\leq 0.4$ Nm

Sensor type	Mounting area (L)	Max. tightening torque (M <sub>max</sub> )
IHM06-06N***TOS	12 mm ... 42 mm	≤ 0.4 Nm

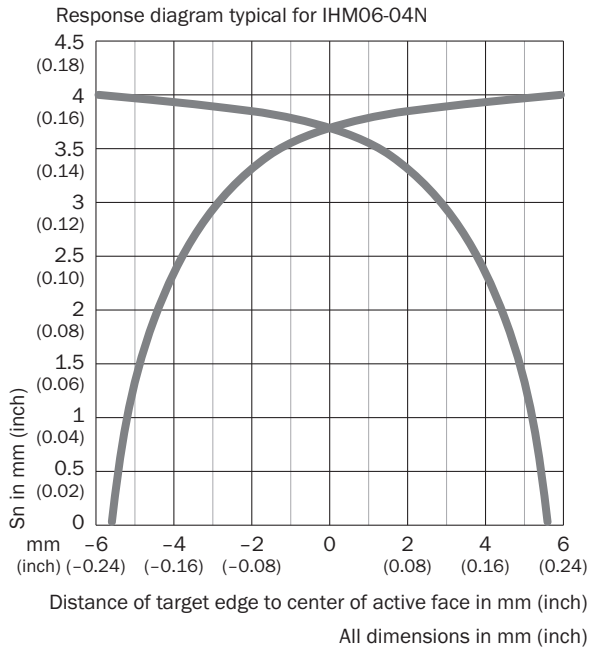
**INSTALLATION NOTE NON-FLUSH INSTALLATION**



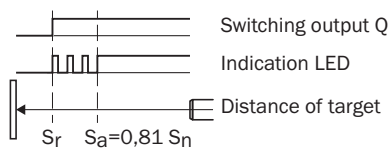
**CONNECTION DIAGRAM CD-001**



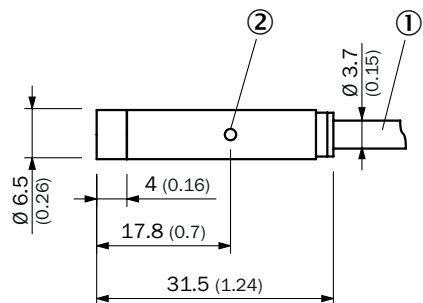
**RESPONSE DIAGRAM**



**FUNCTIONAL PRINCIPLE INSTALLATION AID**



**DIMENSIONAL DRAWING IHM06, SHORT VARIANT, NON-FLUSH, CABLE**



Dimensions in mm (inch)

- ① Connection
- ② function indicator

Further information as well as suitable accessories, example applications and downloads such as CAD dimensional models, operating instructions and software can be found at [www.sick.com/1104513](http://www.sick.com/1104513)



SICK AG  
WALDKIRCH  
GERMANY  
SICK.COM

# SICK AT A GLANCE

SICK is a leading global technology company for intelligent sensors and integrated solutions in industrial automation. Our technologies set benchmarks, making your industrial processes more efficient, safer and more sustainable – both in logistics and manufacturing operations.

SICK combines sensor intelligence with industry expertise and certified consulting services. We provide the ideal foundation for scalable as well as tailor-made automation solutions and create added value along the entire value chain. Our close partnerships with our customers are more than just a promise: Together, we optimize productivity, improve quality, protect health and safety, and help build a sustainable future. All with empathy and trust.

Since 1946, we have been developing innovative technologies with passion and a pioneering spirit. With a global network in around 40 countries, SICK has a global presence and is always close by. The company's headquarters are located in Waldkirch near Freiburg, Germany. Our customers benefit from our understanding of both local and global requirements, which enables us to deliver tailor-made solutions

**SICK**  
Sensor Intelligence