



AOS502 TAM

AOS LiDAR

OBJECT DETECTION SYSTEMS

SICK
Sensor Intelligence.



Ordering information

| Type | part no. |
|------------|----------|
| AOS502 TAM | 1099436 |

Included in delivery: FX3-CPU000000 (1), FX3-MPL000001 (1), FX3-XTI084002 (2), DSL-8U04G02M025KM1 (1), LMS511-10100S02 (2), Mast mount (2), Mounting bracket (2), Connection box (2), YM2D24-100PN1MRJA4 (1), Weather protection hood (2)

Other models and accessories → www.sick.com/AOS_LiDAR



Detailed technical data

Features

| | |
|--|-----------------|
| Sensor | LMS511-10100S02 |
| Number of sensors | 2 |
| Aperture angle | 190° |
| Max. range with 10 % reflectivity | 40 m |
| Version | Standard |

Mechanics/electronics

| | |
|---------------------------------------|--|
| Housing dimensions (W x D x H) | 160 mm x 155 mm x 185 mm (sensor) 67.5 mm x 96.5 mm x 120.6 mm (control with three modules, 22.5 mm each) |
| Weight | 3.7 kg, Per LMS, without connection box |
| Supply voltage | 24 V DC ¹⁾ |
| Power consumption | 22 W, Per LMS511 (+ heating 55 W, per LMS) 6.9 W, Flexi Soft with 2 x I/O module (without load) |
| Fixing | Mounting kit (sensor), Mounting rail (control) |
| Enclosure rating | IP65/ IP67 ²⁾ IP20 ³⁾ |

¹⁾ Per LMS.

²⁾ Sensor.

³⁾ Control.

Performance

| | |
|--------------------------------|--------|
| Number of laserscanners | 2 |
| Response time | 180 ms |

Interfaces

| | |
|--------------------------------|---|
| Configuration interface | Ethernet (sensor), USB (control) |
| Output data | Alarm via control signal Warning field intrusion, stop field intrusion System test error Contamination warning |

Ambient data

| | |
|--------------------------------------|--|
| Ambient operating temperature | -30 °C ... +50 °C, Sensor -25 °C ... +55 °C, Control |
| Ambient temperature, storage | -30 °C ... +70 °C ¹⁾ -25 °C ... +70 °C ²⁾ |
| Ambient light immunity | 70,000 lx |
| Vibration resistance | Standard IEC 60068-2-6:2007-12 |
| Shock resistance | IEC 60068-2-27:2008-03 |

¹⁾ Sensor.

²⁾ Control.

General notes

| | |
|-----------------------|---|
| Items supplied | LMS511-10100S02 (2 x) Flexi Soft main module FX3-CPU000000 Flexi Soft system plug FX3-MPL000001 Flexi Soft I/O module FX3-XTIO84002 (2 x) USB configuration cable USB stick with configuration files Ethernet connection cable Mounting kit mast mount (2 x) Connection box LMS5xx (2 x) Weather protection cover 180° (2 x) |
| Note on use | The AOS LiDAR object detection system is not a safety device for human protection and it therefore does not comply with any safety standards. For safety applications, please contact SICK AG. |

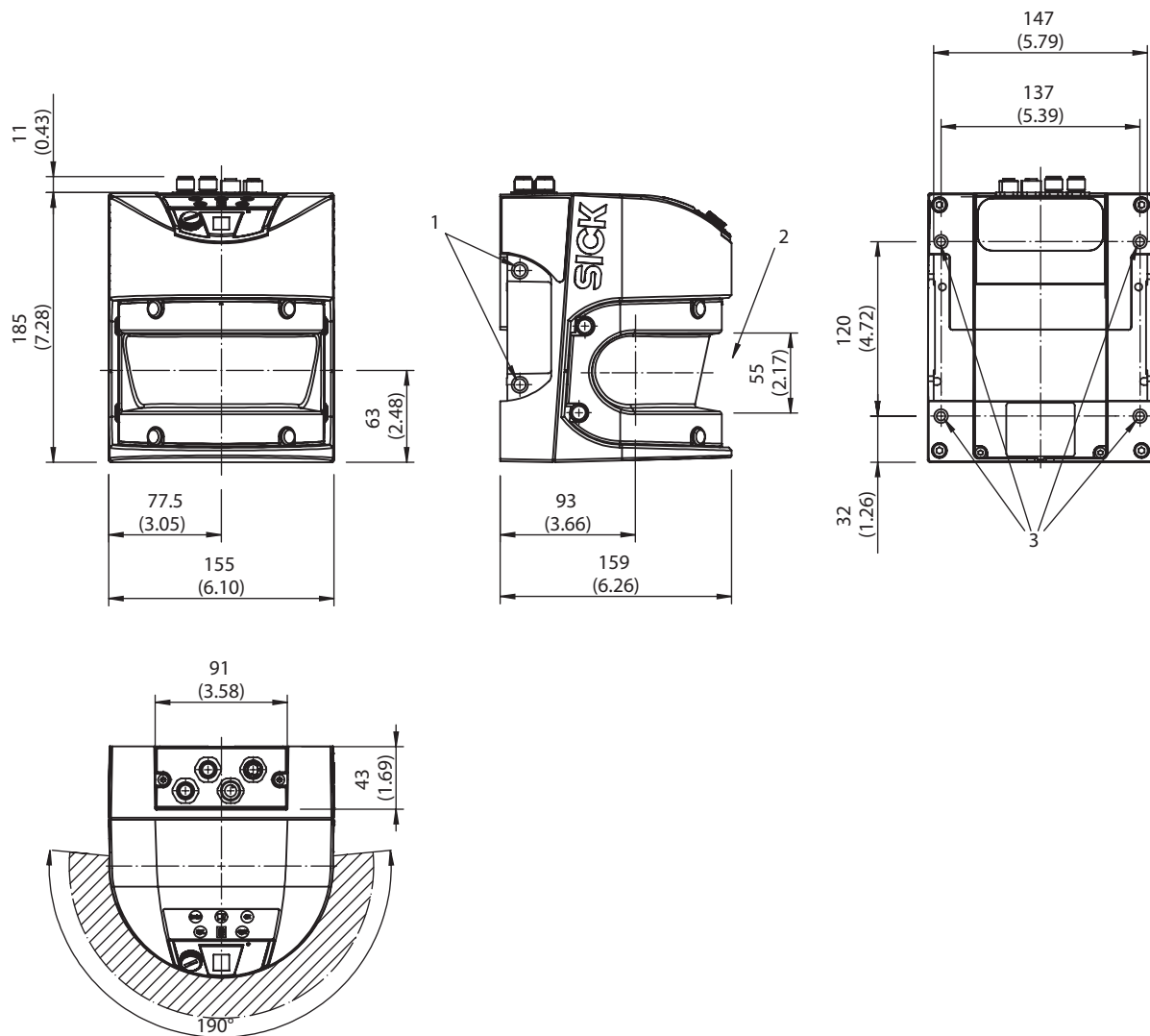
Classifications

| | |
|-----------------------|----------|
| ECLASS 5.0 | 27281001 |
| ECLASS 5.1.4 | 27280190 |
| ECLASS 6.0 | 27280190 |
| ECLASS 6.2 | 27280190 |
| ECLASS 7.0 | 27280190 |
| ECLASS 8.0 | 27280190 |
| ECLASS 8.1 | 27280190 |
| ECLASS 9.0 | 27280190 |
| ECLASS 10.0 | 27280190 |
| ECLASS 11.0 | 27280190 |
| ECLASS 12.0 | 27280190 |
| UNSPSC 16.0901 | 43211701 |

Certificates

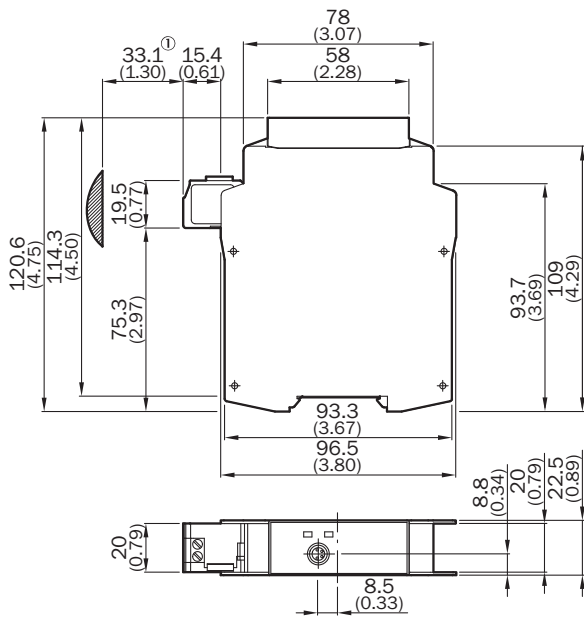
| | |
|-------------------------------------|---|
| EU declaration of conformity | ✓ |
| UK declaration of conformity | ✓ |
| China RoHS | ✓ |

Dimensional drawing LMS511



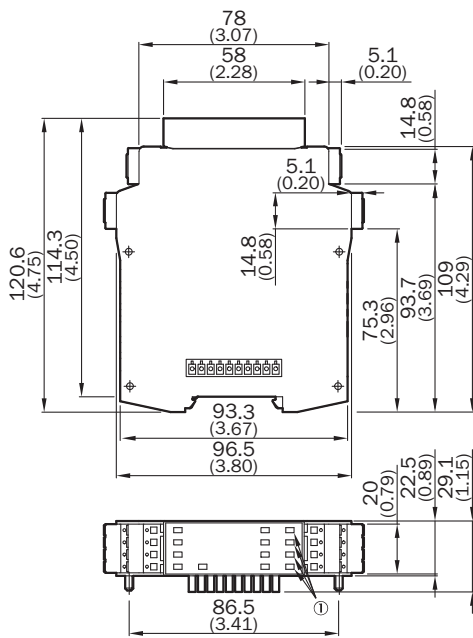
- Dimensions in mm (inch)
- ① 4 screw holes M8 x 9
 - ② do not block front screen
 - ③ 4 screw holes M6 x 8

Dimensional drawing FX3-CPU0



Dimensions in mm (inch)
 ① Approximate connector range


Dimensional drawing FX3-XTIO, FX3-XTDI



Dimensions in mm (inch)
 ① Only valid for FX3-XTIO

Recommended accessories

Other models and accessories → www.sick.com/AOS_LiDAR

| | Brief description | Type | part no. |
|---|--|---------------|----------|
| Commissioning aids and test equipment | | | |
|  | <ul style="list-style-type: none">• Product: Alignment aids• Description: Alignment aid for detecting the infrared light (wavelength 780 nm to 1050 nm) of SICK sensors | Alignment aid | 2101720 |

SICK AT A GLANCE

SICK is one of the leading manufacturers of intelligent sensors and sensor solutions for industrial applications. A unique range of products and services creates the perfect basis for controlling processes securely and efficiently, protecting individuals from accidents and preventing damage to the environment.

We have extensive experience in a wide range of industries and understand their processes and requirements. With intelligent sensors, we can deliver exactly what our customers need. In application centers in Europe, Asia and North America, system solutions are tested and optimized in accordance with customer specifications. All this makes us a reliable supplier and development partner.

Comprehensive services complete our offering: SICK LifeTime Services provide support throughout the machine life cycle and ensure safety and productivity.

For us, that is “Sensor Intelligence.”

WORLDWIDE PRESENCE:

Contacts and other locations –www.sick.com