

SICK.COM



DATA SHEET

WTV4-3P1141

W4
Photoelectric sensors

SICK Sensor Intelligence

PHOTOELECTRIC SENSORS

WTV4-3P1141

ORDERING INFORMATION

Type	part no.
WTV4-3P1141	1084397

Further device versions and accessories at www.sick.com/W4



Illustration may differ

DETAILED TECHNICAL DATA

FEATURES

Functional principle	Photoelectric proximity sensor	
Functional principle detail	Background suppression	
Sensing range max.	4 mm ... 50 mm ¹⁾	
Sensing range	15 mm ... 50 mm ¹⁾	
Emitted beam	Light source	PinPoint LED ²⁾
	Type of light	Visible red light
	Light spot size (distance)	Ø 10 mm (40 mm)
Key LED figures	Wave length	650 nm
	Adjustment	Potentiometer, 5 turns
Special applications	Detecting uneven, shiny objects, Detecting objects wrapped in film	

¹⁾ Object with 90% remission (based on standard white, DIN 5033).

²⁾ Average service life: 100,000 h at T_u = +25 °C.

ELECTRONICS

Supply voltage U_B	10 V DC ... 30 V DC ¹⁾
Ripple	< 5 V _{pp} ²⁾
Current consumption	20 mA ³⁾
Protection class	III
Digital output	Type PNP Switching mode Light/dark switching Output current I_{max} ≤ 100 mA Response time < 0.5 ms ⁴⁾ Switching frequency 1,000 Hz ⁵⁾
Circuit protection	A ⁶⁾ C ⁷⁾ D ⁸⁾
Special feature	V-optics

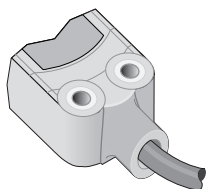
¹⁾ Limit values.²⁾ May not fall below or exceed U_V tolerances.³⁾ Without load.⁴⁾ Signal transit time with resistive load.⁵⁾ With light/dark ratio 1:1.⁶⁾ A = V_B connections reverse-polarity protected.⁷⁾ C = interference suppression.⁸⁾ D = outputs overcurrent and short-circuit protected.**MECHANICS**

Housing	Rectangular
Design detail	Flat
Dimensions (W x H x D)	16 mm x 39.5 mm x 12 mm
Connection	Cable, 4-wire, 2 m ¹⁾
Connection detail	Conductor size 0.14 mm ² Cable diameter Ø 3.4 mm Length of cable (L) 2 m ¹⁾
Material	Housing Plastic, ABS Front screen Plastic, PMMA Cable Plastic, PVC
Weight	30 g

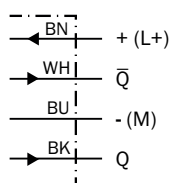
¹⁾ Do not bend below 0 °C.**AMBIENT DATA**

Enclosure rating	IP67 IP66
Ambient operating temperature	-40 °C ... +60 °C
Ambient temperature, storage	-40 °C ... +75 °C
UL File No.	NRKH.E181493 & NRKH7.E181493

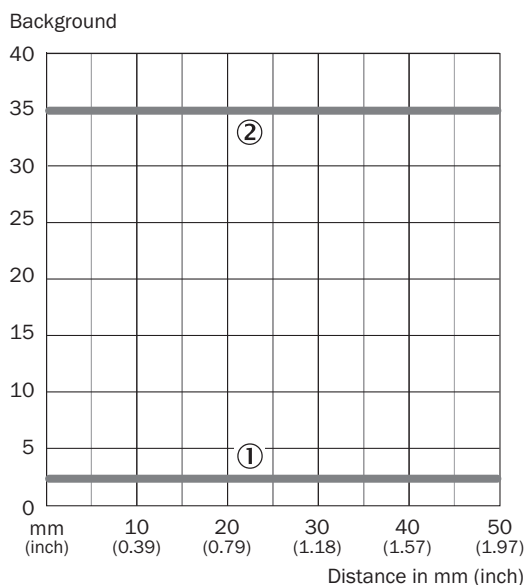
CONNECTION TYPE



CONNECTION DIAGRAM CD-094

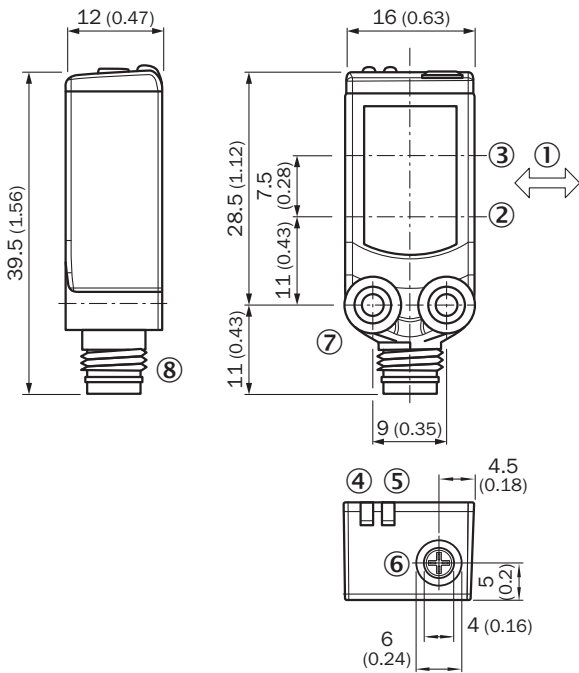


CHARACTERISTIC CURVE WTV4-3, V-OPTICS



- ① black/white shift 90% / 6%
- ② Distance to the background with transparent objects

DIMENSIONAL DRAWING WTX4-3, POTENTIOMETER



Dimensions in mm (inch)

- ① Standard direction of the material being detected
- ② Optical axis, sender
- ③ Optical axis, receiver
- ④ LED indicator yellow: Status of received light beam
- ⑤ LED indicator green: Supply voltage active
- ⑥ Potentiometer
- ⑦ Threaded mounting hole M3
- ⑧ Connection

Further information as well as suitable accessories, example applications and downloads such as CAD dimensional models, operating instructions and software can be found at www.sick.com/1084397



SICK AG
WALDKIRCH
GERMANY
SICK.COM

SICK AT A GLANCE

SICK is a leading global technology company for intelligent sensors and integrated solutions in industrial automation. Our technologies set benchmarks, making your industrial processes more efficient, safer and more sustainable – both in logistics and manufacturing operations.

SICK combines sensor intelligence with industry expertise and certified consulting services. We provide the ideal foundation for scalable as well as tailor-made automation solutions and create added value along the entire value chain. Our close partnerships with our customers are more than just a promise: Together, we optimize productivity, improve quality, protect health and safety, and help build a sustainable future. All with empathy and trust.

Since 1946, we have been developing innovative technologies with passion and a pioneering spirit. With a global network in around 40 countries, SICK has a global presence and is always close by. The company's headquarters are located in Waldkirch near Freiburg, Germany. Our customers benefit from our understanding of both local and global requirements, which enables us to deliver tailor-made solutions

SICK
Sensor Intelligence