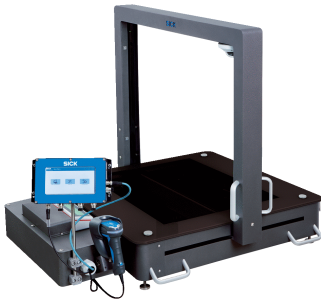


MDA650 5 Image

Master Data Analyzer

TRACK AND TRACE SYSTEMS

SICK
Sensor Intelligence.



Ordering information

Type	part no.
MDA650 5 Image	1079163

Other models and accessories → www.sick.com/Master_Data_Analyzer



Detailed technical data

Features

Products by tasks	Code reading Dimensioning Weighing
Sensor resolution	1 Mpixel
Including image recording	✓
Object infeed and outfeed	Manual
Color image properties	Standard resolution (1080p UWW)
Legal-for-trade	No

Mechanics/electronics

Dimensions, system (L x W x H)	1,210 mm x 900 mm x 900 mm
Enclosure rating	IP20
Supply voltage	24 V DC ¹⁾
Panel PC	7" touch display (800 x 600 RGB)
Trigger	Manual for code scanning
Total weight	90 kg
External power supply	AC 100 V ... 240 V, 50 Hz ... 60 Hz

¹⁾ SELV.

Performance

Code types	1D 2D Stacked code PDF417 Aztec 4-state Maxi-Code
Minimum object size	10 mm x 10 mm x 5 mm
Maximum object size	640 mm x 590 mm x 590 mm
Throughput	900 pph
Accuracy of object coverage	± 5 mm
Accuracy of scale	d = 5 g (40 g ... 15 kg), d = 10 g (15 kg ... 30 kg)

Interfaces

Ethernet	✓ , TCP/IP, FTP
Output data	Maximum dimensions (length, width, height) of Minimum Bounding Box Volume (the minimum bounding box) Code data Weight Custom fields (up to 5) Status Image output in .jpg Data output in .txt, other formats like .csv, .xml etc. on request (customer-specific)

Ambient data

Permissible relative humidity	≤ 90 %, Non-condensing
--------------------------------------	------------------------

General notes

Items supplied	IP camera Power supply unit MDA-Basis inkl. MLG-2 Pro (2 x) Integrated weighing cells (4 x) Handheld scanner
-----------------------	--

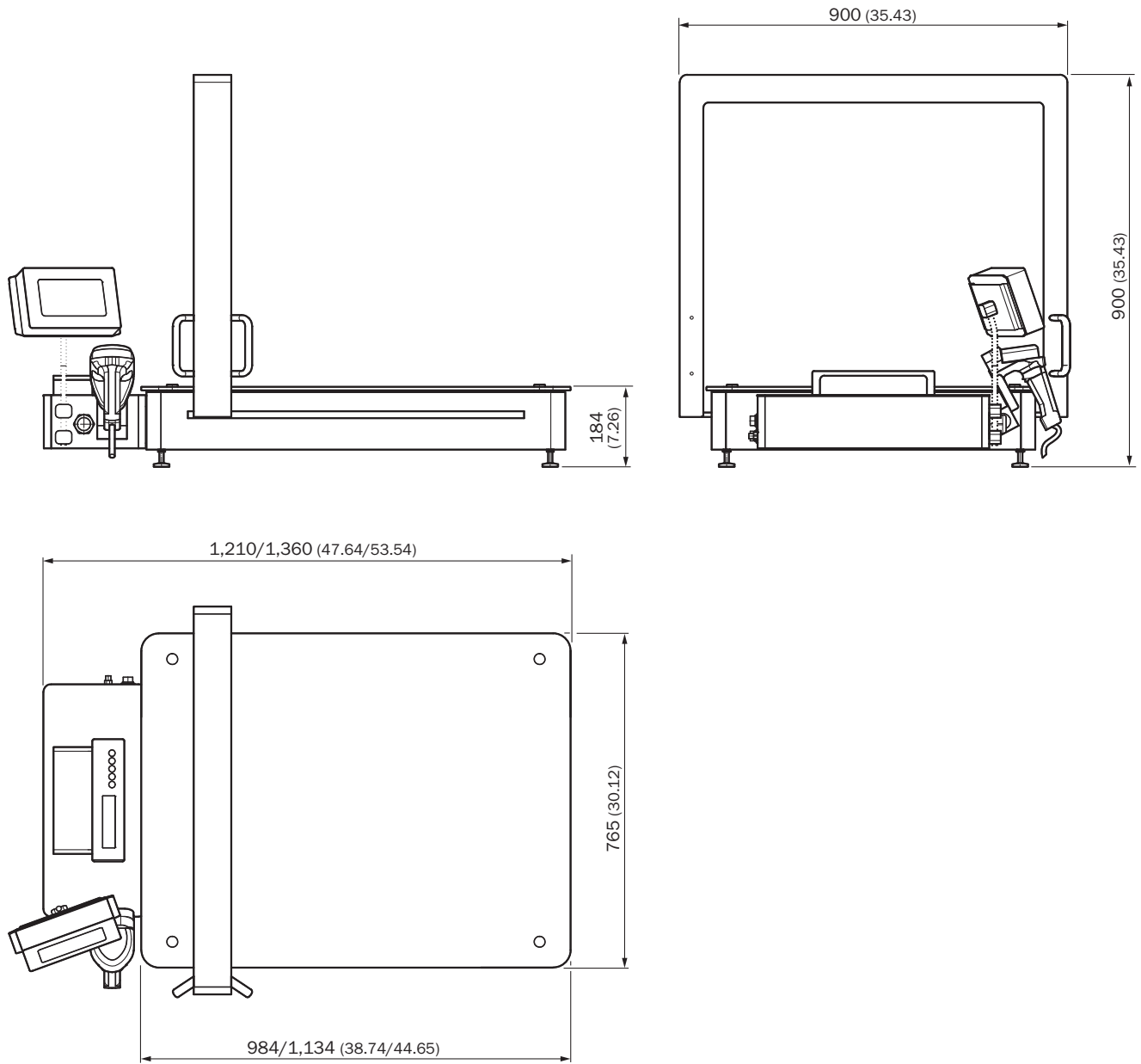
Certificates

EU declaration of conformity	✓
UK declaration of conformity	✓
ACMA declaration of conformity	✓
China RoHS	✓
Information according to Art. 3 of Data Act (Regulation EU 2023/2854)	✓

Classifications

ECLASS 5.0	27281001
ECLASS 5.1.4	27280190
ECLASS 6.0	27280190
ECLASS 6.2	27280190
ECLASS 7.0	27280190
ECLASS 8.0	27280190
ECLASS 8.1	27280190
ECLASS 9.0	27280190
ECLASS 10.0	27280190
ECLASS 11.0	27280190
ECLASS 12.0	27280190
UNSPSC 16.0901	43211701

Dimensional drawing



Dimensions in mm (inch)

SICK AT A GLANCE

SICK is one of the leading manufacturers of intelligent sensors and sensor solutions for industrial applications. A unique range of products and services creates the perfect basis for controlling processes securely and efficiently, protecting individuals from accidents and preventing damage to the environment.

We have extensive experience in a wide range of industries and understand their processes and requirements. With intelligent sensors, we can deliver exactly what our customers need. In application centers in Europe, Asia and North America, system solutions are tested and optimized in accordance with customer specifications. All this makes us a reliable supplier and development partner.

Comprehensive services complete our offering: SICK LifeTime Services provide support throughout the machine life cycle and ensure safety and productivity.

For us, that is “Sensor Intelligence.”

WORLDWIDE PRESENCE:

Contacts and other locations –www.sick.com