



DL1000-S11102

Dx1000

TIME-OF-FLIGHT SENSORS

SICK
Sensor Intelligence.



Ordering information

Type	part no.
DL1000-S11102	1075439

Other models and accessories → www.sick.com/Dx1000



Detailed technical data

Features

Measurement principle	HDDM ⁺
Measuring range	0.2 m ... 1,500 m, on "diamond grade" reflective tape ^{1) 2) 3)}
Target	Reflector
Resolution	1 μm ... 100,000 μm, adjustable ⁴⁾
Repeatability	≥ 1 mm, See repeatability characteristic lines ^{1) 5) 6) 7)}
Measurement accuracy	Typ. ± 15 mm, See measurement accuracy diagram ⁸⁾
Response time	3 ms ... 384 ms ⁷⁾
Measurement cycle time	1 ms 4 ms 16 ms
Output time	≥ 1 ms ⁹⁾
Emitted beam	
Typ. light spot size (distance)	5 mm x 20 mm (at 1 m) ¹⁰⁾
	20 mm x 20 mm (at 5 m) ¹⁰⁾

¹⁾ With max. ambient light 100 kLux sunlight.

²⁾ See measuring range diagram.

³⁾ Dependent on reflector size and measuring cycle time.

⁴⁾ Data interface resolution.

⁵⁾ Statistical error 1 σ, environmental conditions constant, min. warm-up time > about 15 min.

⁶⁾ On "diamond grade" reflective tape.

⁷⁾ Dependent on selected filter settings and measuring cycle time.

⁸⁾ At T = +23 °C and after warm-up time > about 15 min.

⁹⁾ Depending on interface used.

¹⁰⁾ See light spot size diagram.

¹¹⁾ Do not intentionally look into the laser beam. Never point the laser beam at people's eyes.

¹²⁾ Measuring laser.

		35 mm x 25 mm (at 10 m) ¹⁰⁾
		150 mm x 50 mm (at 50 m) ¹⁰⁾
		290 mm x 80 mm (at 100 m) ¹⁰⁾
		570 mm x 140 mm (at 200 m) ¹⁰⁾
		4,200 mm x 920 mm (≥ 1,500 m) ¹⁰⁾
Key laser figures		
	Normative reference	IEC 60825-1:2014, EN 60825-1:2014
	Laser class	1 ¹¹⁾
	Average laser service life (at 25 °C)	100,000 h ¹²⁾
Filter		Rain and snow filter Fog filter Moving average distance value Kalman filter Moving average speed value
Additional function		Selection of relevant distance and signal level range Selection of first or last echo in selected distance and signal level range
Max. movement speed		128 m/s
Safety-related parameters		
	MTTF _D	101 years
	DC _{avg}	0%

1) With max. ambient light 100 kLux sunlight.

2) See measuring range diagram.

3) Dependent on reflector size and measuring cycle time.

4) Data interface resolution.

5) Statistical error 1 σ, environmental conditions constant, min. warm-up time > about 15 min.

6) On "diamond grade" reflective tape.

7) Dependent on selected filter settings and measuring cycle time.

8) At T = +23 °C and after warm-up time > about 15 min.

9) Depending on interface used.

10) See light spot size diagram.

11) Do not intentionally look into the laser beam. Never point the laser beam at people's eyes.

12) Measuring laser.

Interfaces

Ethernet		✓, TCP/IP
	Function	Parameterization, output of measurement data
	Data transmission rate	10/100 MBit/s
PROFIBUS DP		✓
	Function	Parameterization, output of measurement data
	Data transmission rate	9.6 kBaud ... 12 MBaud, Automatic detection
Serial		✓, RS-422
	Remark	Switchable to SSI
	Function	Parameterization, output of measurement data
SSI		✓

1) Short-circuit protected, switching voltage U_V - 4 V.

2) Internal pull-down switching, switching voltage HIGH: min. 13 V ... max. supply voltage, switching voltage LOW: max. 5 V.

3) Max. load = (U_V - 7 V) / 21.5 mA.

	Remark	Switchable to RS-422
	Function	Output of measurement data
Inputs/outputs		
	In1/Q1	Digital input, digital output (Switchable)
	QA/Q2	Analog output, digital output (Switchable)
Digital input		Internal pull-down circuit HIGH switching voltage: min. 13 V ... max. supply voltage LOW switching voltage: max. 5 V Switching functions: deactivate measuring laser, activate alignment laser, preset
Digital output		
	Number	0 ... 2 ^{1) 2)}
	Type	Push-pull: PNP/NPN
	Maximum output current I_A	≤ 100 mA
Analog output		
	Number	1
	Type	Current output
	Current	4 mA ... 20 mA ³⁾
	Resolution	16 bit

¹⁾ Short-circuit protected, switching voltage U_V - 4 V.

²⁾ Internal pull-down switching, switching voltage HIGH: min. 13 V ... max. supply voltage, switching voltage LOW: max. 5 V.

³⁾ Max. load = $(U_V - 7 \text{ V}) / 21.5 \text{ mA}$.

Electronics

Supply voltage U_B	DC 18 V ... 30 V, reverse polarity protected
Power consumption	≤ 22 W, With heating switched off ¹⁾ ≤ 35 W, With heating switched on ¹⁾
Ripple	≤ 5 V _{pp} ²⁾
Initialization time	> 30 s
Display	Graphical, resistive touch display, status LEDs
Enclosure rating	IP65 ³⁾ IP67 ³⁾
Protection class	III (EN 61140)
Connection type	Round connector M12 x 1

¹⁾ With external load.

²⁾ May not fall short of or exceed V_S tolerances.

³⁾ When plugged in with a suitable mating connector.

Mechanics

Dimensions (W x H x D)	84 mm x 104.4 mm x 140.5 mm
Housing material	Metal (Aluminum alloy (AlSi12))
Window material	Glass
Weight	1,000 g

Ambient data

Ambient temperature, operation	-40 °C ... +55 °C ¹⁾ -40 °C ... +95 °C, operation with cooling case
Ambient temperature, storage	-40 °C ... +75 °C
Max. rel. humidity (not condensing)	≤ 95 %
Effect of air pressure	0.3 ppm/hPa
Effect of air temperature	-1 ppm/K
Temperature drift	Typ. 0.25 mm/K
Typ. Ambient light immunity	≤ 100,000 lx
Mechanical load	Shock: 30 g / 6 ms according to DIN EN 60068-2-27 (Ea), 6 axes Continuous shock: 25 g / 6 ms according to DIN EN 60068-2-27 (fatigue), 500 shocks, 6 axes

¹⁾ At a temperature of -40 °C, a warm-up time of typ. 20 minutes is required (when supply voltage $V_s = 24$ V).

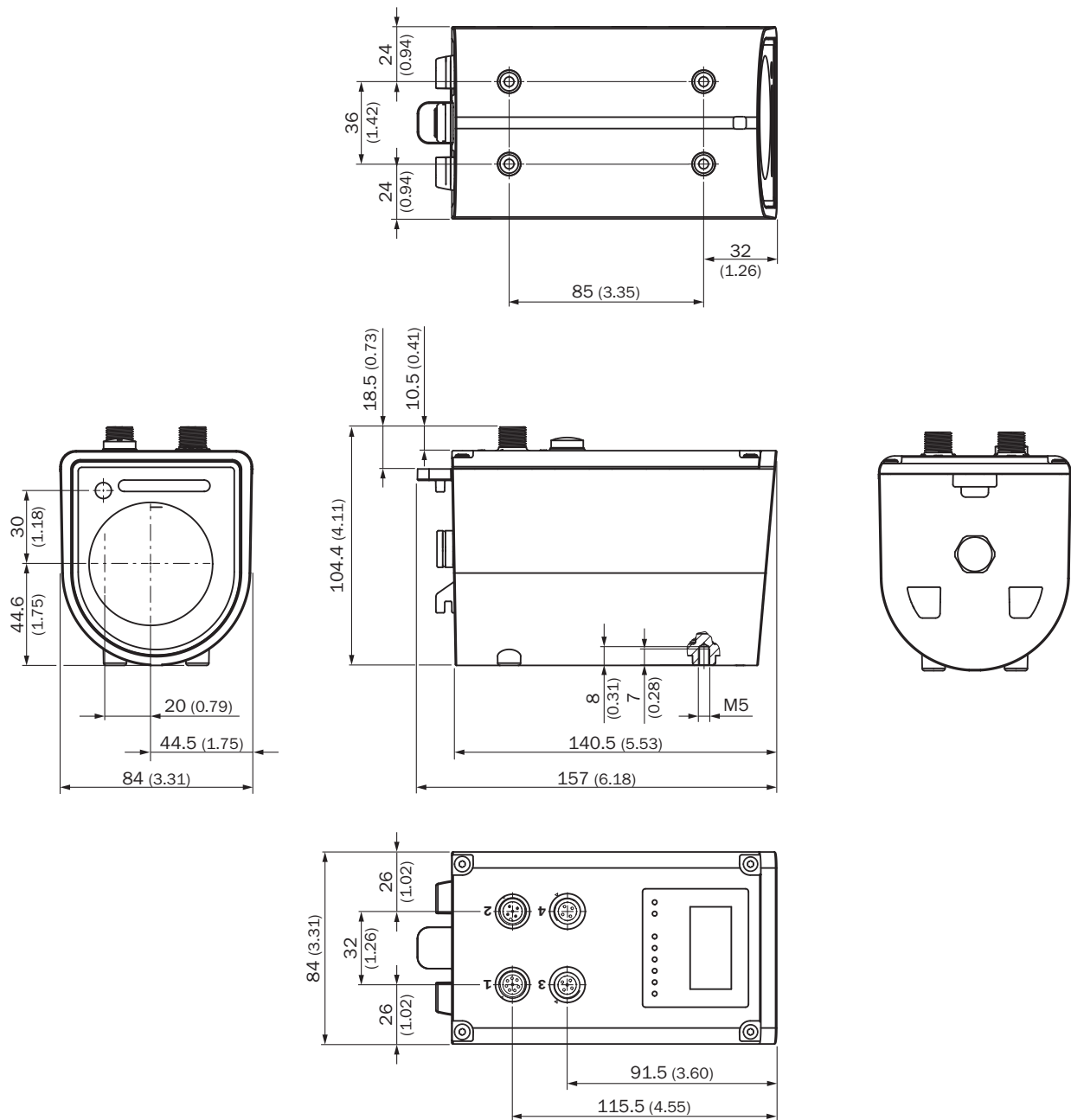
Certificates

EU declaration of conformity	✓
UK declaration of conformity	✓
ACMA declaration of conformity	✓
Moroccan declaration of conformity	✓
China RoHS	✓
cULus certificate	✓
Profibus certificate	✓
Information according to Art. 3 of Data Act (Regulation EU 2023/2854)	✓

Classifications

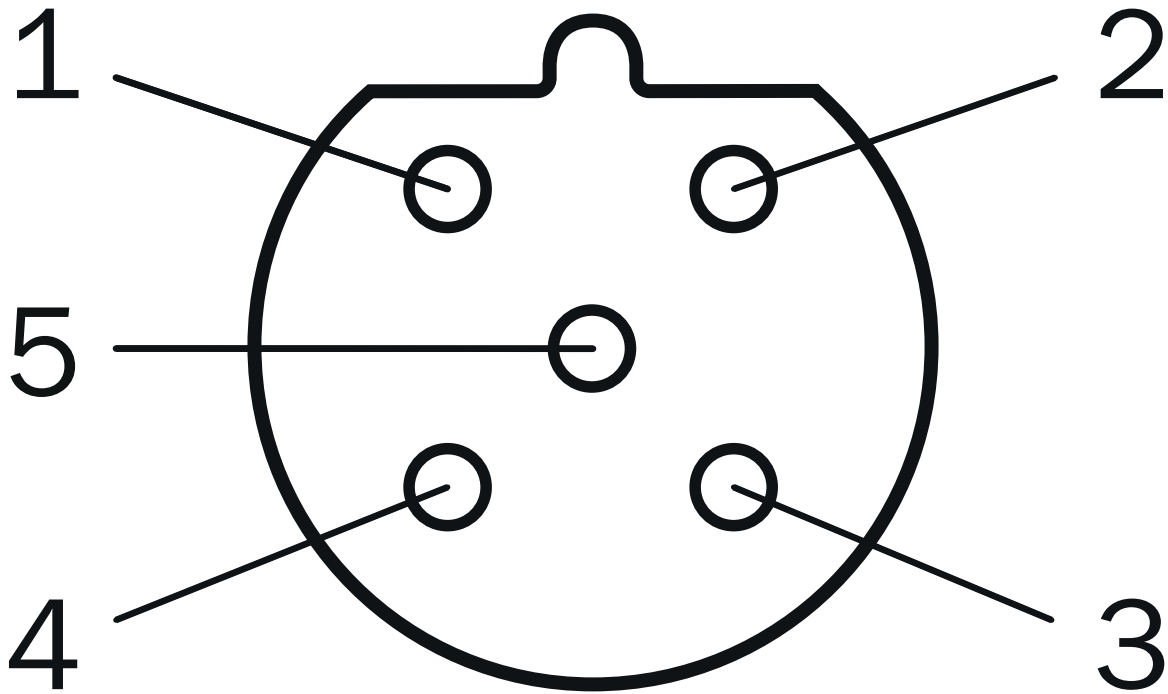
ECLASS 5.0	27270801
ECLASS 5.1.4	27270801
ECLASS 6.0	27270801
ECLASS 6.2	27270801
ECLASS 7.0	27270801
ECLASS 8.0	27270801
ECLASS 8.1	27270801
ECLASS 9.0	27270801
ECLASS 10.0	27270801
ECLASS 11.0	27270801
ECLASS 12.0	27270916
ETIM 5.0	EC001825
ETIM 6.0	EC001825
ETIM 7.0	EC001825
ETIM 8.0	EC001825
UNSPSC 16.0901	41111613

Dimensional drawing



Dimensions in mm (inch)

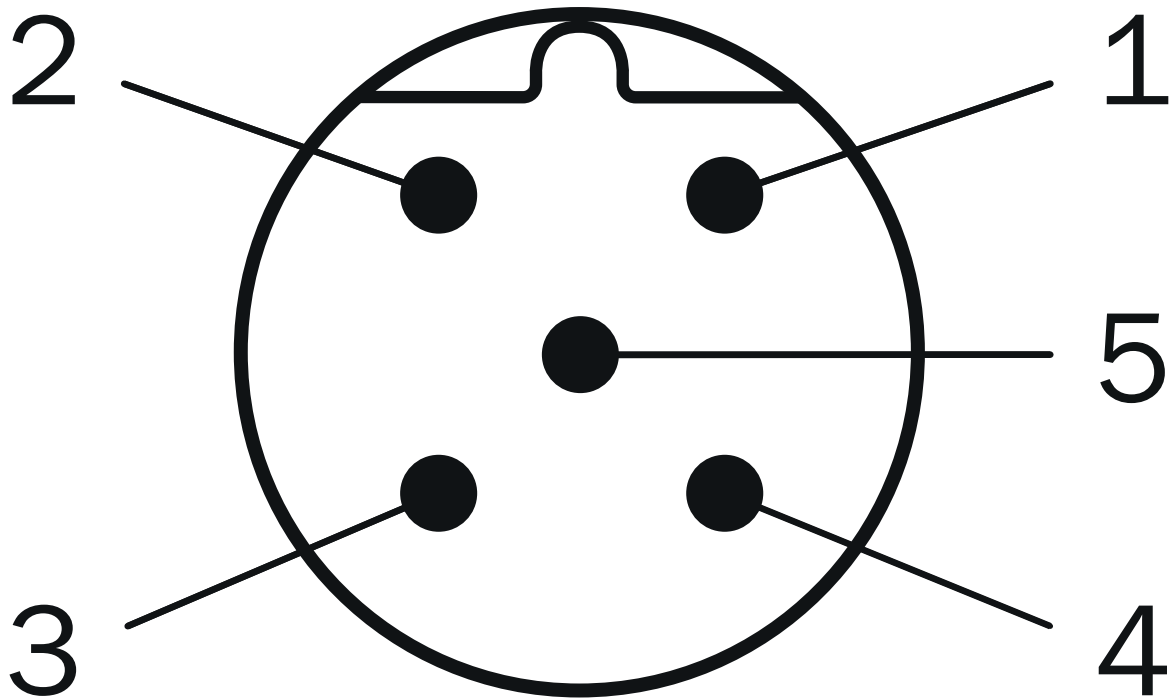
PIN assignment Connection 3: PROFIBUS Out



Female connector M12, 5-pin, B-coded

- ① +5 V
- ② A
- ③ GND
- ④ B
- ⑤ nc

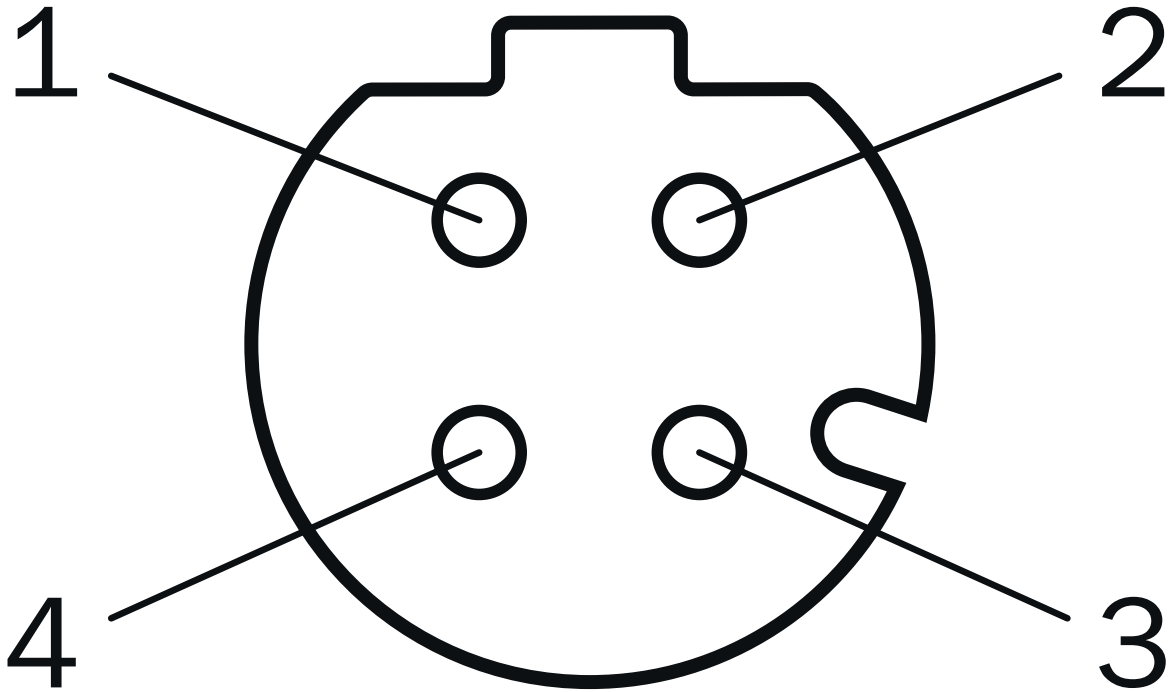
PIN assignment Connection 2: PROFIBUS In



Connector M12, 5-pin, B-coded, BUS IN

- ① nc
- ② A
- ③ nc
- ④ B
- ⑤ nc

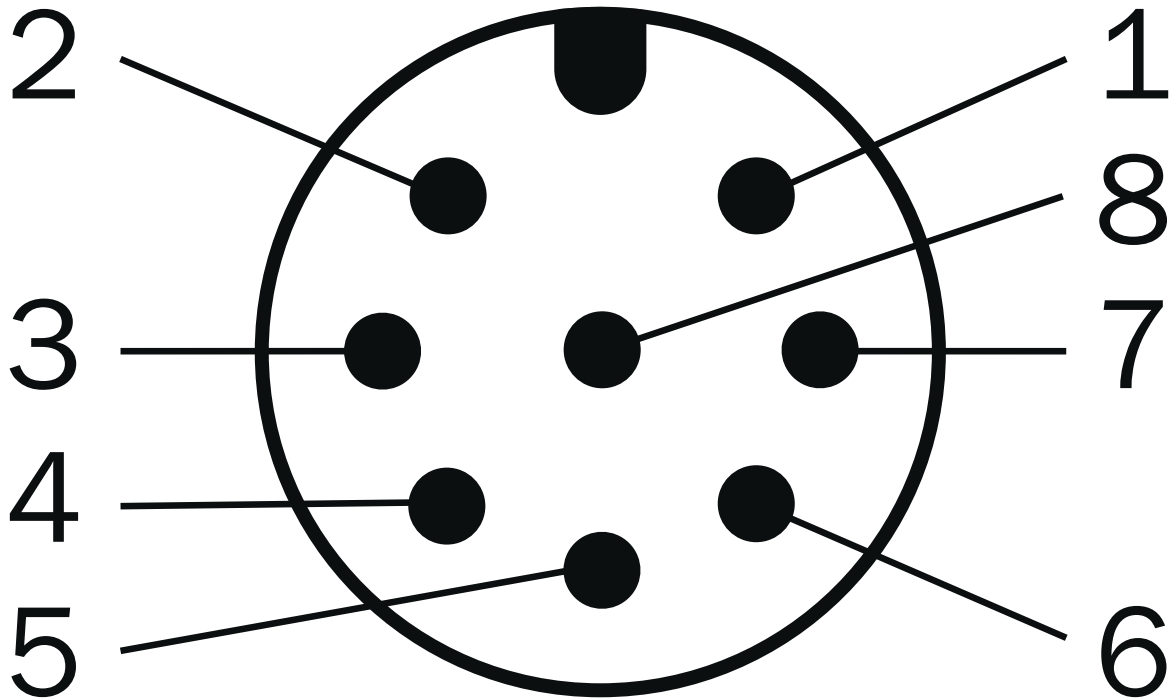
PIN assignment Connection 4: Ethernet



M12 female connector, 4-pin, D-coded

- ① TX+
- ② RX+
- ③ TX-
- ④ RX-

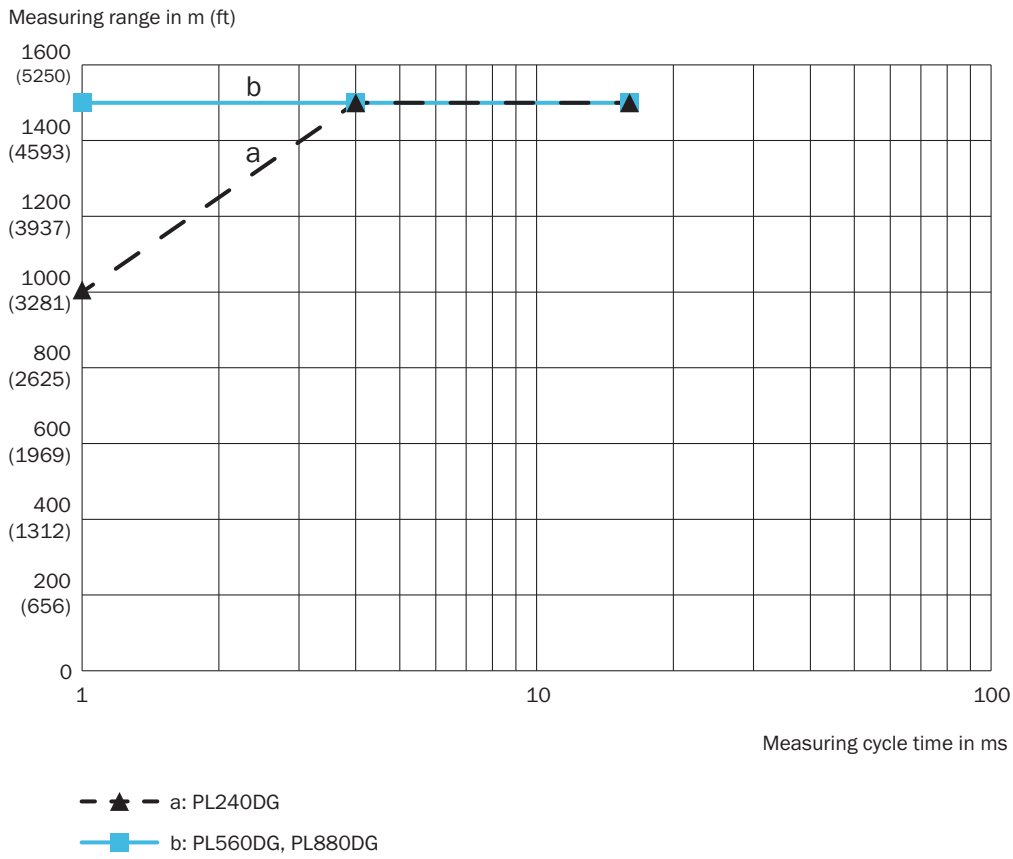
PIN assignment Connection 1: power, RS-422/SSI, Q1/In1, Q2/QA



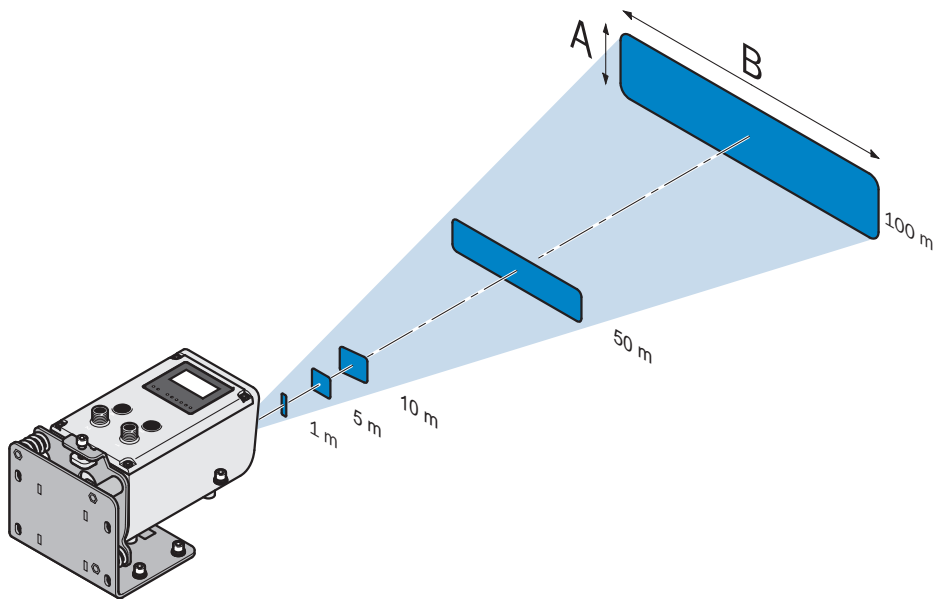
Connector M12, 8-pin, A-coded

- ① Q1/In1
- ② L+
- ③ RX-/CLK-
- ④ RX+/CLK+
- ⑤ TX-/Data-
- ⑥ TX+/Data+
- ⑦ M
- ⑧ Q₂/Q_A

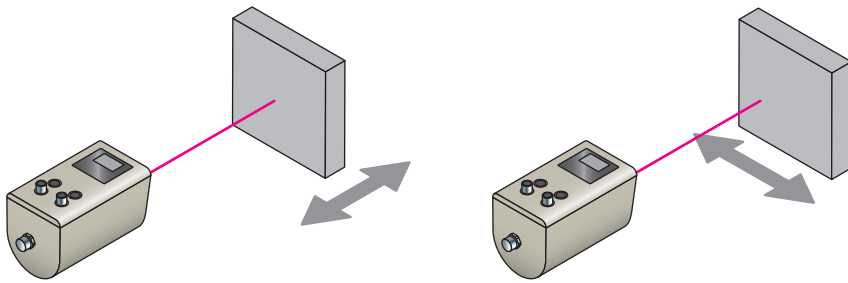
Working range diagram DL1000 measuring range based on measurement cycle time and reflector type



Light spot size

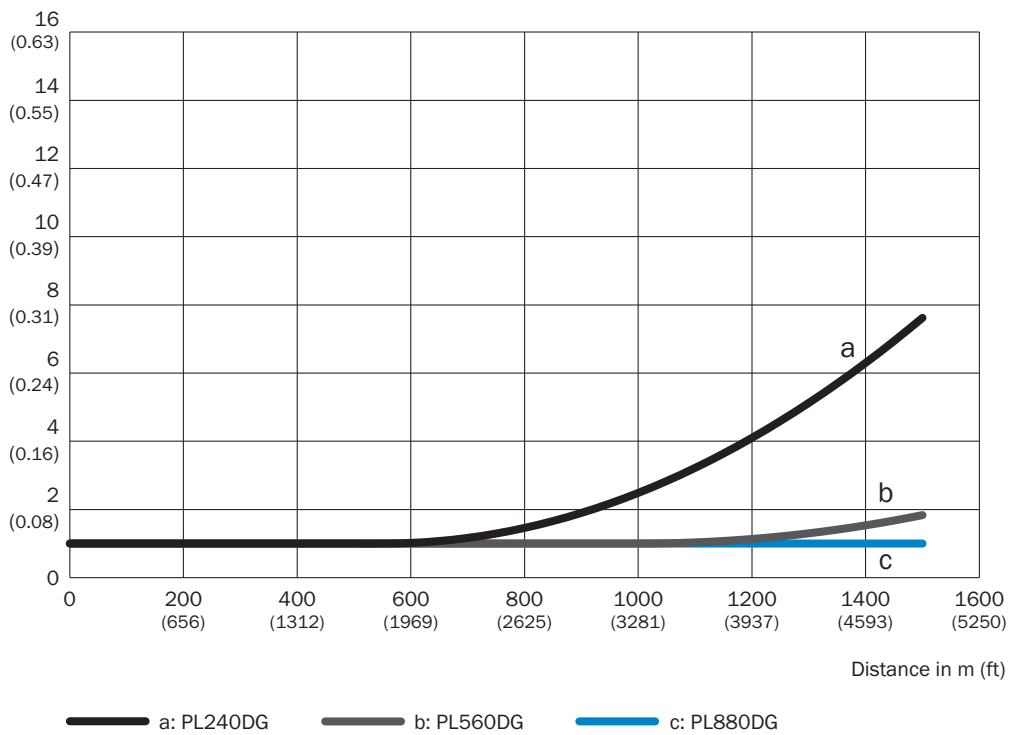


Functional principle



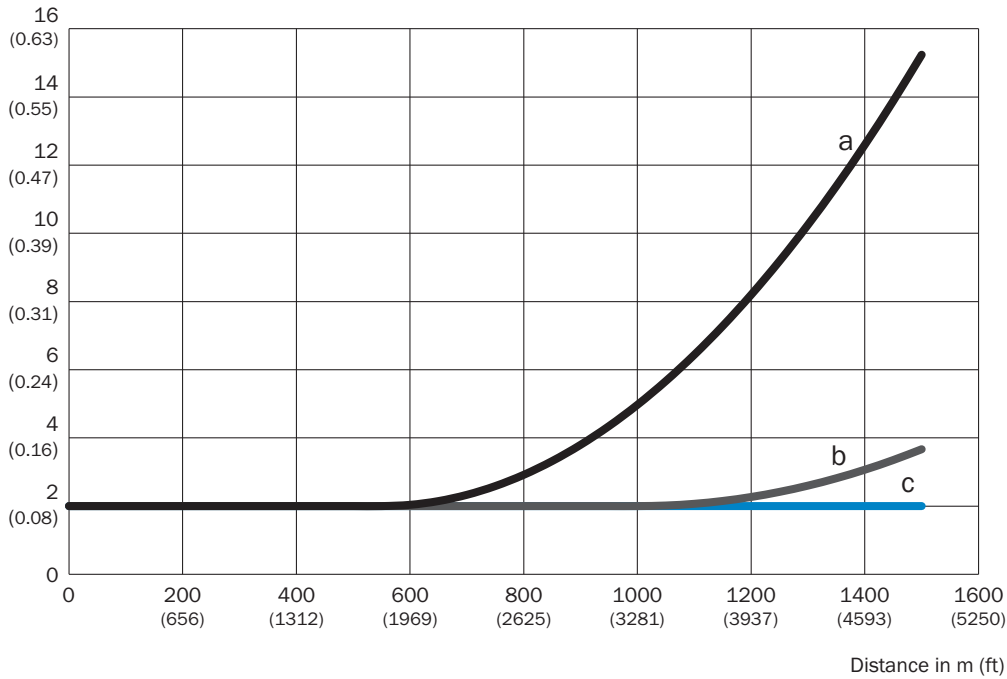
Repeatability DL1000 for various reflector types, with 16 ms measurement cycle time

Typ. repeatability in mm (inch)



Repeatability DL1000 for various reflector types, with 4 ms measurement cycle time

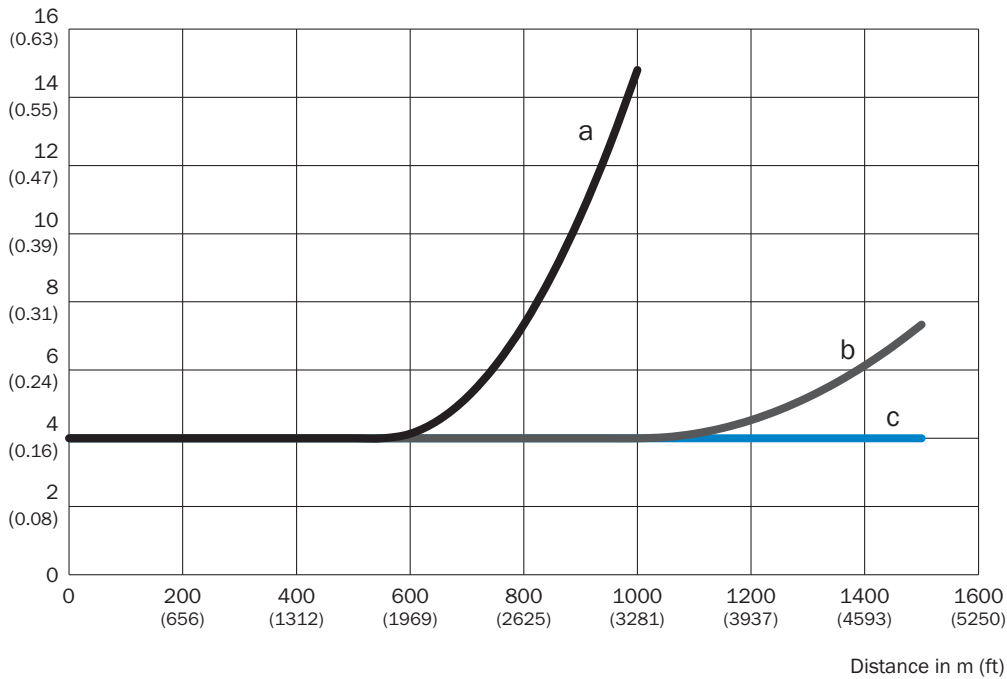
Typ. repeatability in mm (inch)



— a: PL240DG — b: PL560DG — c: PL880DG

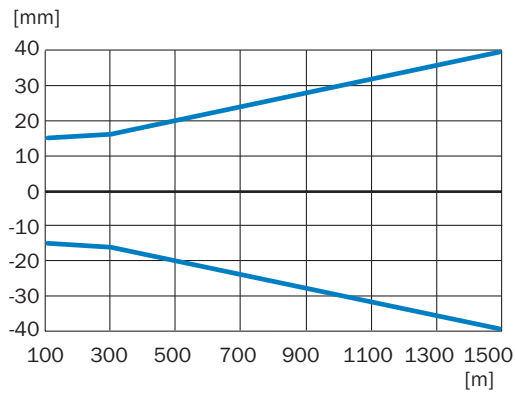
Repeatability DL1000 for various reflector types, with 1 ms measurement cycle time

Typ. repeatability in mm (inch)

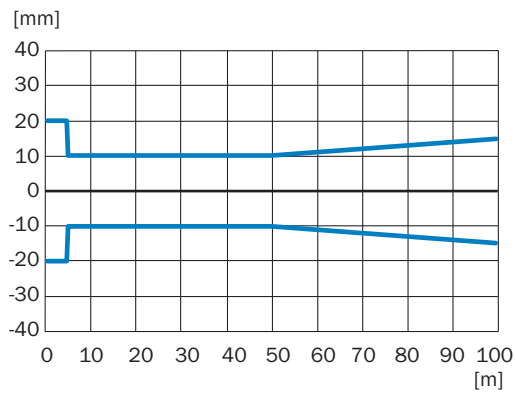


— a: PL240DG — b: PL560DG — c: PL880DG

Measurement accuracy Typically DL1000, x-axis: Distance, y-axis: Typical measurement accuracy









Measurement accuracy Typically DL1000, x-axis: Distance, y-axis: Typical measurement accuracy



Recommended accessories

Other models and accessories → www.sick.com/Dx1000

	Brief description	Type	part no.
connectors and cables			
	<ul style="list-style-type: none"> Connection type head A: Female connector, M12, 5-pin, angled, B-coded Connection type head B: Flying leads Signal type: PROFIBUS DP Cable: 10 m, 2-wire, PUR, halogen-free Description: PROFIBUS DP, twisted pair, shielded Application: Zones with oils and lubricants 	DOL-1205-W10MQ	6041425
	<ul style="list-style-type: none"> Description: PROFIBUS DP, twisted pair, shielded Connection type head A: Male connector, M12, 5-pin, angled, B-coded Connection type head B: Flying leads Signal type: PROFIBUS DP Cable: 10 m, 2-wire, PUR, halogen-free Application: Zones with oils and lubricants, Drag chain operation 	STL-1205-W10MQ	6041427
	<ul style="list-style-type: none"> Description: RS-422, shielded, SSI Connection type head A: Female connector, M12, 8-pin, angled Connection type head B: Flying leads Signal type: RS-422, SSI Cable: 10 m, 8-wire, PUR, halogen-free Application: Zones with oils and lubricants 	YG2A68-100XXXXLECX	6051482
device protection and care			
	<ul style="list-style-type: none"> Description: Can be opened upward without tools. Conductor for connections on the back. Due to space constraints, connecting cables with 90° angled, pre-assembled male connectors/female connectors are required. Items supplied: Weatherproof housing (BEF-AH-DX1000, tube for weatherproof housing and rain cover for protective housing are not included with delivery) 	Weather-proof housing	2087690
Mounting systems			
	<ul style="list-style-type: none"> Description: Alignment bracket for mounting and precise alignment of the sensor in a horizontal and vertical direction Material: Stainless steel Details: Stainless steel Items supplied: Mounting hardware included 	BEF-AH-DX1000	2080392
reflectors and optics			
	<ul style="list-style-type: none"> Description: Reflector plate, "diamond grade" reflective tape, 665 mm x 665 mm, base plate material: aluminum, screw connection Ambient operating temperature: -25 °C ... +65 °C 	PL560DG	1016806

SICK AT A GLANCE

SICK is one of the leading manufacturers of intelligent sensors and sensor solutions for industrial applications. A unique range of products and services creates the perfect basis for controlling processes securely and efficiently, protecting individuals from accidents and preventing damage to the environment.

We have extensive experience in a wide range of industries and understand their processes and requirements. With intelligent sensors, we can deliver exactly what our customers need. In application centers in Europe, Asia and North America, system solutions are tested and optimized in accordance with customer specifications. All this makes us a reliable supplier and development partner.

Comprehensive services complete our offering: SICK LifeTime Services provide support throughout the machine life cycle and ensure safety and productivity.

For us, that is “Sensor Intelligence.”

WORLDWIDE PRESENCE:

Contacts and other locations –www.sick.com