



VISIC100SF-0200

VISIC100SF

AIR QUALITY MEASURING DEVICES

SICK
Sensor Intelligence.



Ordering information

Type	Part no.
VISIC100SF-0200	1069450

Our regional sales organization will help you to select the optimum device configuration.

Other models and accessories → www.sick.com/VISIC100SF



Detailed technical data

Technical specifications

Description	Visibility sensor for measuring K-values in tunnels																
Measured values	Visibility (K-value), CO, NO, NO ₂																
Measurement principles	Scattered light forward, electrochemical cell																
Measuring ranges	<table border="0"> <tr> <td>Visibility (K-value)</td> <td>0 ... 15 km⁻¹</td> </tr> <tr> <td>CO</td> <td>0 ... 300 ppm</td> </tr> <tr> <td>NO</td> <td>0 ... 100 ppm</td> </tr> <tr> <td>NO₂</td> <td>0 ... 5 ppm</td> </tr> </table>	Visibility (K-value)	0 ... 15 km ⁻¹	CO	0 ... 300 ppm	NO	0 ... 100 ppm	NO ₂	0 ... 5 ppm								
Visibility (K-value)	0 ... 15 km ⁻¹																
CO	0 ... 300 ppm																
NO	0 ... 100 ppm																
NO ₂	0 ... 5 ppm																
Response time (t₉₀)	≤ 60 s																
Accuracy	<table border="0"> <tr> <td>CO (0 ... 200 ppm):</td> <td>≤ 1 ppm For 0 ... 30 ppm</td> </tr> <tr> <td>CO (0 ... 200 ppm):</td> <td>≤ 1 % Of measuring range full scale (according EN 50545). For 30 ... 100 ppm</td> </tr> <tr> <td>CO (0 ... 200 ppm):</td> <td>≤ 2 % Of measuring range full scale (according EN 50545). For 100 ... 200 ppm</td> </tr> <tr> <td>NO:</td> <td>≤ 3 % Of measuring range full scale (according EN 50545)</td> </tr> <tr> <td>NO₂:</td> <td>≤ 2 % Of measuring range full scale (according EN 50545)</td> </tr> <tr> <td>CO (0 ... 300 ppm):</td> <td>≤ 1 ppm For 0 ... 30 ppm</td> </tr> <tr> <td>CO (0 ... 300 ppm):</td> <td>≤ 1 % Of measuring range full scale (according EN 50545). For 30 ... 150 ppm</td> </tr> <tr> <td>CO (0 ... 300 ppm):</td> <td>≤ 2 % Of measuring range full scale (according EN 50545). For 150 ... 300 ppm</td> </tr> </table>	CO (0 ... 200 ppm):	≤ 1 ppm For 0 ... 30 ppm	CO (0 ... 200 ppm):	≤ 1 % Of measuring range full scale (according EN 50545). For 30 ... 100 ppm	CO (0 ... 200 ppm):	≤ 2 % Of measuring range full scale (according EN 50545). For 100 ... 200 ppm	NO:	≤ 3 % Of measuring range full scale (according EN 50545)	NO ₂ :	≤ 2 % Of measuring range full scale (according EN 50545)	CO (0 ... 300 ppm):	≤ 1 ppm For 0 ... 30 ppm	CO (0 ... 300 ppm):	≤ 1 % Of measuring range full scale (according EN 50545). For 30 ... 150 ppm	CO (0 ... 300 ppm):	≤ 2 % Of measuring range full scale (according EN 50545). For 150 ... 300 ppm
CO (0 ... 200 ppm):	≤ 1 ppm For 0 ... 30 ppm																
CO (0 ... 200 ppm):	≤ 1 % Of measuring range full scale (according EN 50545). For 30 ... 100 ppm																
CO (0 ... 200 ppm):	≤ 2 % Of measuring range full scale (according EN 50545). For 100 ... 200 ppm																
NO:	≤ 3 % Of measuring range full scale (according EN 50545)																
NO ₂ :	≤ 2 % Of measuring range full scale (according EN 50545)																
CO (0 ... 300 ppm):	≤ 1 ppm For 0 ... 30 ppm																
CO (0 ... 300 ppm):	≤ 1 % Of measuring range full scale (according EN 50545). For 30 ... 150 ppm																
CO (0 ... 300 ppm):	≤ 2 % Of measuring range full scale (according EN 50545). For 150 ... 300 ppm																
Resolution	<table border="0"> <tr> <td>Visibility (K-value)</td> <td>± 0.001 km⁻¹</td> </tr> <tr> <td>CO</td> <td>± 0.5 ppm</td> </tr> <tr> <td>NO</td> <td>± 0.5 ppm</td> </tr> <tr> <td>NO₂</td> <td>± 0.05 ppm</td> </tr> </table>	Visibility (K-value)	± 0.001 km ⁻¹	CO	± 0.5 ppm	NO	± 0.5 ppm	NO ₂	± 0.05 ppm								
Visibility (K-value)	± 0.001 km ⁻¹																
CO	± 0.5 ppm																
NO	± 0.5 ppm																
NO ₂	± 0.05 ppm																
Repeatability	<table border="0"> <tr> <td>Visibility (K-value)</td> <td>≤ 2 %</td> </tr> </table>	Visibility (K-value)	≤ 2 %														
Visibility (K-value)	≤ 2 %																

Ambient temperature		-20 °C ... +55 °C
Storage temperature		
Measuring device without electrochemical cells:		-30 °C ... +85 °C
CO, NO and NO ₂ sensor:		+5 °C ... +20 °C
Ambient pressure		860 hPa ... 1,080 hPa
Ambient humidity		10 % ... 100 % Relative humidity; non-condensing
Conformities		ASTRA "Guideline - Ventilation of Road Tunnels" (2008) RABT 2006 RVS 09.02.22
Electrical safety		CE
Enclosure rating		IP6K9K
Analog outputs		3 outputs: 4 ... 20 mA, 500 Ω Electrically isolated; short-circuit proof
Digital outputs		2 relay contacts: 48 V, 0.5 mA, 24 W Preset for failure and maintenance request
Modbus		✓
	Remark	Not available when a TAD is used
	Type of fieldbus integration	RTU RS-485
Indication		LC display, inside Status LEDs: "Operational", "Maintenance required", and "Fault"
Input		Functional keys
Operation		Via LC-display and function keys
Dimensions (W x H x D)		266 mm x 159 mm x 117 mm (for details see dimensional drawings)
Weight		≤ 2.8 kg
Material		Stainless steel 1.4571
Mounting		Wall-mounting, vertical, up to a wall inclination of 45°
Energy supply		
	Voltage	18 V DC ... 28 V DC, ± 10 % Other voltages with optional connecting unit or TAD control unit
	Current consumption	≤ 1 A
	Power consumption	Without heating: ≤ 5 W With heating: ≤ 20 W
Test functions		Contamination monitoring of glass pane Drift and plausibility check Automatic self-test Functional monitoring of the optional heating
Options		CO sensor

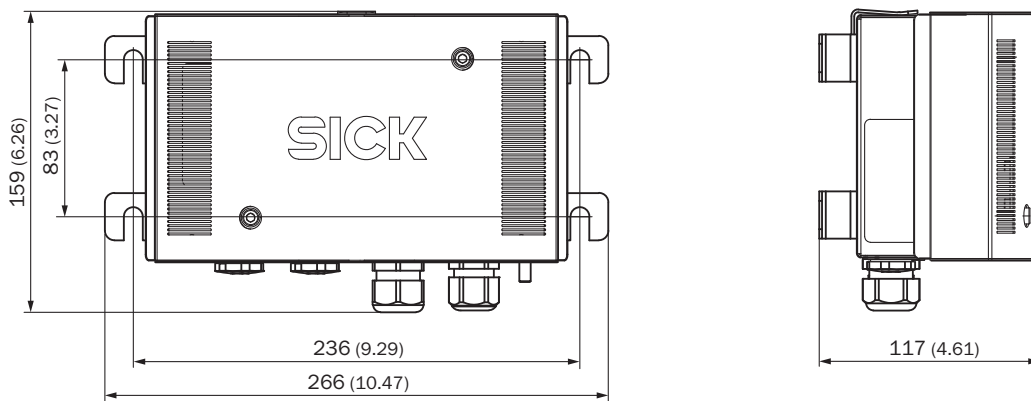
	NO sensor NO ₂ sensor TAD control unit Connection unit
--	--

Classifications

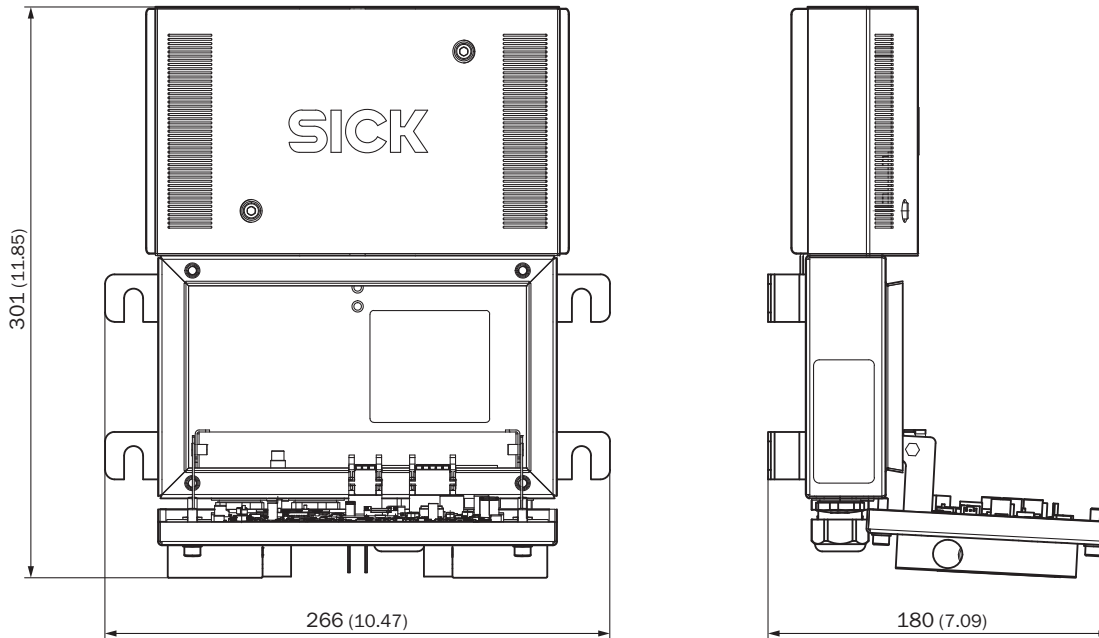
ECLASS 5.0	27150305
ECLASS 5.1.4	27150305
ECLASS 6.0	27150305
ECLASS 6.2	27150305
ECLASS 7.0	27150305
ECLASS 8.0	27150305
ECLASS 8.1	27150305
ECLASS 9.0	27150305
ECLASS 10.0	27150305
ECLASS 11.0	27150305
ECLASS 12.0	27150305
ETIM 5.0	EC001190
ETIM 6.0	EC001190
ETIM 7.0	EC001190
ETIM 8.0	EC001190
UNSPSC 16.0901	41115406

Dimensional drawing (Dimensions in mm (inch))

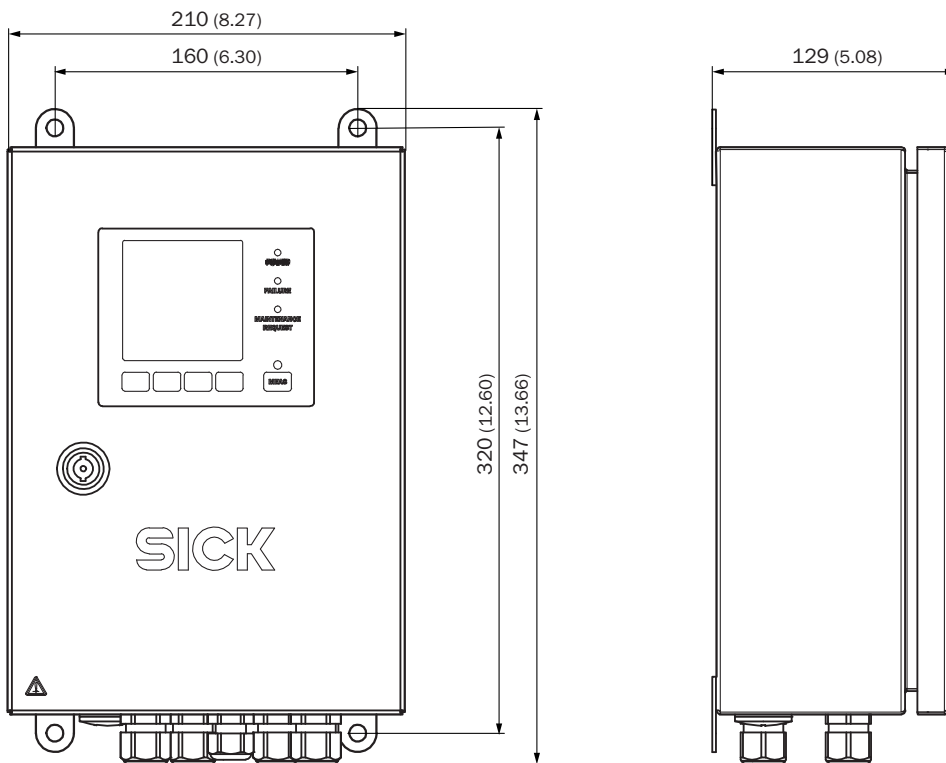
VISIC100SF sensor unit closed



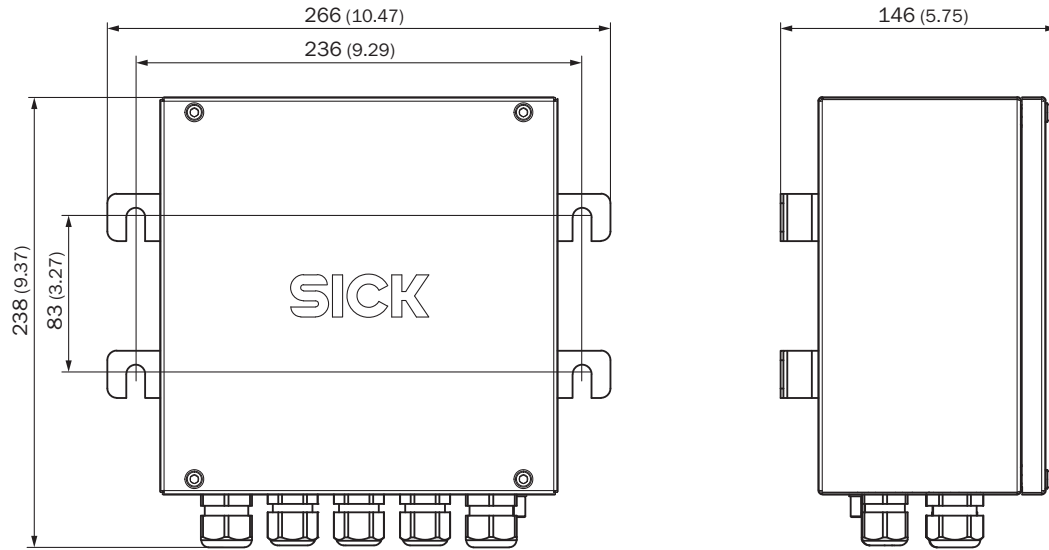
VISIC100SF sensor unit open with clipped-on front cover



TAD control unit

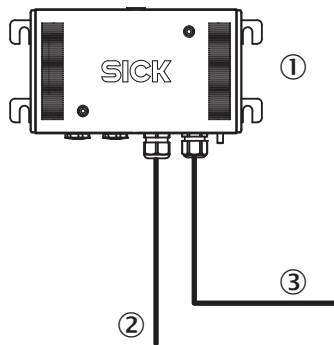


VISIC100SF connector unit



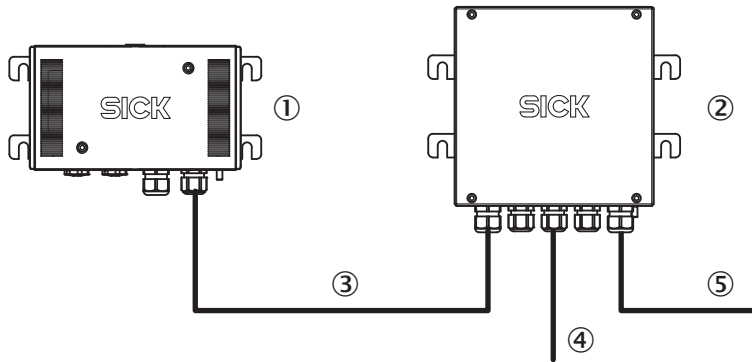
Connection types

Standard version



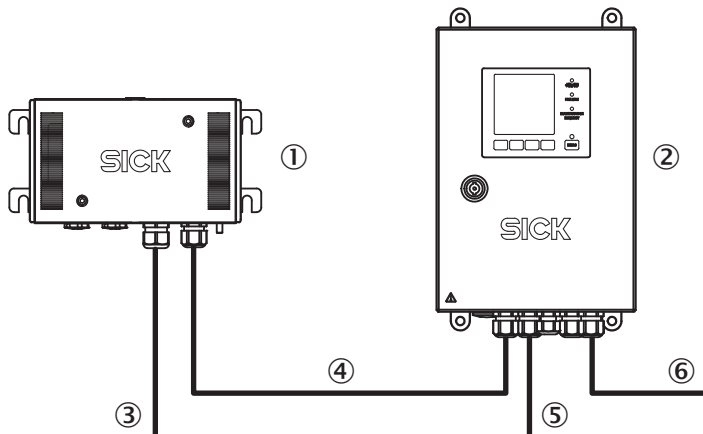
- ① VISIC100SF sensor unit
- ② Power supply (24 V)
- ③ Analog and digital signals or data bus

Version with terminal box



- ① VISIC100SF sensor unit
- ② VISIC100SF connector unit
- ③ Analog and digital signals or data bus, incl. power supply (24 V)
- ④ Power supply (230 V)
- ⑤ Analog and digital signals or data bus

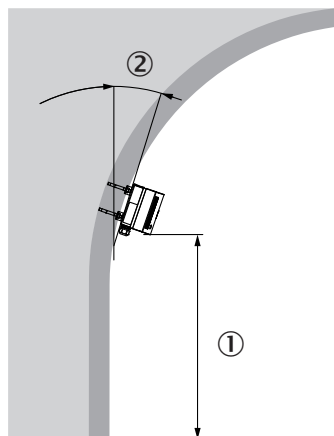
Version with TAD control unit



- ① VISIC100SF sensor unit
- ② TAD control unit
- ③ Power supply (24 V)
- ④ Analog and digital signals or data bus (max. length = 1,200 m)
- ⑤ Power supply (230 V)
- ⑥ Analog and digital signals or data bus

Instruction for installation

VISIC100SF sensor unit: allowed inclination and installation height



- ① The mounting height depends on the application. SICK recommends an installation above the splash water zone.
- ② Maximum allowed inclination angle = 45°

SICK AT A GLANCE

SICK is one of the leading manufacturers of intelligent sensors and sensor solutions for industrial applications. A unique range of products and services creates the perfect basis for controlling processes securely and efficiently, protecting individuals from accidents and preventing damage to the environment.

We have extensive experience in a wide range of industries and understand their processes and requirements. With intelligent sensors, we can deliver exactly what our customers need. In application centers in Europe, Asia and North America, system solutions are tested and optimized in accordance with customer specifications. All this makes us a reliable supplier and development partner.

Comprehensive services complete our offering: SICK LifeTime Services provide support throughout the machine life cycle and ensure safety and productivity.

For us, that is “Sensor Intelligence.”

WORLDWIDE PRESENCE:

Contacts and other locations –www.sick.com