



CDB650-204

CDB

JUNCTION BOXES

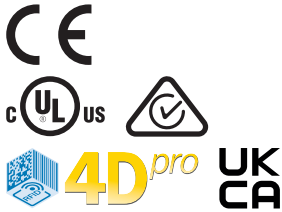
SICK
Sensor Intelligence.



Ordering information

Type	part no.
CDB650-204	1064114

Other models and accessories → www.sick.com/CDB



Detailed technical data

Features

Brief description	Connection device basic for connecting one sensor with 2 A fuse, 5 cable glands and RS-232 interface to sensor via M12, 17-pin female connector, all outputs available on screw/spring-loaded terminals.
Supported products	Lector series CLV62x - CLV64x (depending on type) CLV69x RFID read/write device InspectorP series
Cloning module support (CMC)	Yes
Supports display module (CMD)	No
Supports power supply module (CMP)	No
Supports fieldbus gateway (CMF)	No

Mechanics/electronics

Supply voltage	(10 V DC ... 30 V DC)
Power consumption	1 W
Housing	Polycarbonate
Enclosure rating	IP65
Protection class	III
Weight	+ 265 g
Dimensions (L x W x H)	124.2 mm x 113.1 mm x 53.9 mm
Scanner connection	17-pin M12 socket, A-coded
Service plug	9-pin D-Sub plug (internal)

Interfaces

Serial	✓ , RS-232, RS-422, RS-485
Remark	Depending on sensor connected
CAN	
Remark	Depending on sensor connected
Digital inputs	Depending on sensor connected

Digital outputs	Depending on sensor connected
Optical indicators	11 LEDs
Configuration software	SOPAS ET

Ambient data

Ambient operating temperature	-40 °C ... +50 °C
Storage temperature	-30 °C ... +75 °C
Permissible relative humidity	≤ 90 %, Non-condensing

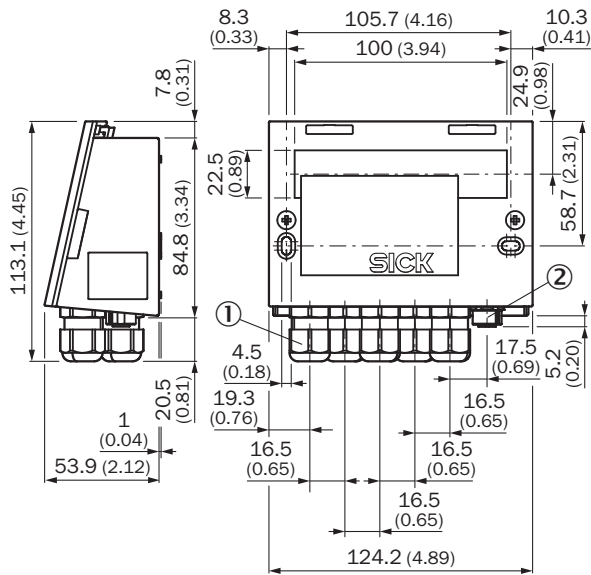
Certificates

EU declaration of conformity	✓
UK declaration of conformity	✓
ACMA declaration of conformity	✓
China RoHS	✓
cULus certificate	✓

Classifications

ECLASS 5.0	27242208
ECLASS 5.1.4	27242608
ECLASS 6.0	27242608
ECLASS 6.2	27242608
ECLASS 7.0	27242608
ECLASS 8.0	27242608
ECLASS 8.1	27242608
ECLASS 9.0	27242608
ECLASS 10.0	27242608
ECLASS 11.0	27242608
ECLASS 12.0	27242608
ETIM 5.0	EC001604
ETIM 6.0	EC001604
ETIM 7.0	EC001604
ETIM 8.0	EC001604
UNSPSC 16.0901	32151705

dimensional drawing CDB650






Dimensions in mm (inch)

① female connector M12, 17-pin

② PG connector \varnothing 4.5 mm ... 10 mm (5 x)

Recommended accessories

Other models and accessories → www.sick.com/CDB

	Brief description	Type	part no.
integration modules and adapters			
	<ul style="list-style-type: none"> Description: External parameter memory for integration in CDB620/CDB650/CDM42x 	CMC600-101	1042259
connectors and cables			
	<ul style="list-style-type: none"> Description: Power, suitable for 2 A, shielded, Serial, CAN, Digital I/Os Connection type head A: Female connector, M12, 17-pin, straight, A-coded Connection type head B: Male connector, M12, 17-pin, straight, A-coded Signal type: Power, serial, CAN, digital I/Os Cable: 3 m, 17-wire Application: Drag chain operation 	YM2A8D-030XXXF2A8D	6051194
	<ul style="list-style-type: none"> Description: Serial, unshielded Connection type head A: Female connector, D-Sub, 9-pin, straight Connection type head B: Female connector, D-Sub, 9-pin, straight Signal type: Serial Cable: 3 m Note: For PC connection 	YFH-DA9-030XXXFHDA9	2103279

SICK AT A GLANCE

SICK is one of the leading manufacturers of intelligent sensors and sensor solutions for industrial applications. A unique range of products and services creates the perfect basis for controlling processes securely and efficiently, protecting individuals from accidents and preventing damage to the environment.

We have extensive experience in a wide range of industries and understand their processes and requirements. With intelligent sensors, we can deliver exactly what our customers need. In application centers in Europe, Asia and North America, system solutions are tested and optimized in accordance with customer specifications. All this makes us a reliable supplier and development partner.

Comprehensive services complete our offering: SICK LifeTime Services provide support throughout the machine life cycle and ensure safety and productivity.

For us, that is “Sensor Intelligence.”

WORLDWIDE PRESENCE:

Contacts and other locations –www.sick.com