



DATA SHEET

CDF600-2103

CDF
Network devices

NETWORK DEVICES

CDF600-2103

ORDERING INFORMATION

Type	part no.
CDF600-2103	1058966

Further device versions and accessories at www.sick.com/CDF



DETAILED TECHNICAL DATA

FEATURES

Supported products	Lector series CLV61x - CLV65x CLV69x RFID read/write device Mobile handheld scanners
Cloning module support (CMC)	Integrated
Supports display module (CMD)	No
Supports power supply module (CMP)	No
Supports fieldbus gateway (CMF)	No

MECHANICS/ELECTRONICS

Supply voltage	10 V DC ... 30 V DC
Power consumption	< 5 W, if no sensor is connected and the digital input is not connected
Housing	Aluminum (unpainted)
Enclosure rating	IP20
Protection class	III
Weight	+ 375 g
Dimensions (L x W x H)	207 mm x 49,5 mm x 40,7 mm
Scanner connection	RS-232

INTERFACES

Serial	✓ , RS-232
Remark	Depending on sensor connected
Function	Service interface
Data transmission rate	57.6 kBaud, Automatic detection
CAN	✓ , DPV0
Remark	Depending on sensor connected
Function	Slave DPV0
Data transmission rate	9.6 kbit/s ... 12 Mbit/s
PROFIBUS DP	✓ , DPV0
Function	Slave DPV0
Data transmission rate	≤ 12 Mbit/s
Digital inputs	1
Digital outputs	0
Optical indicators	4 LEDs
Configuration software	SOPAS ET

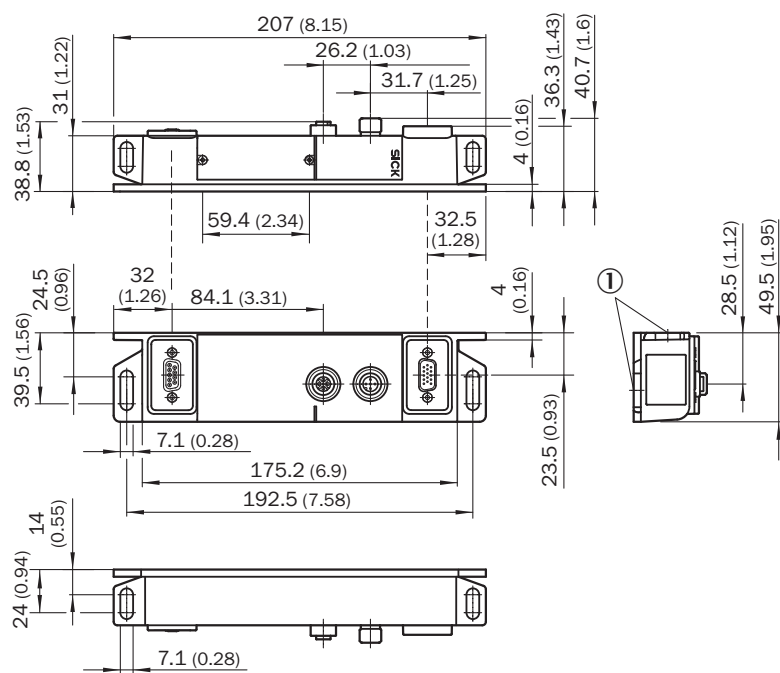
AMBIENT DATA

Electromagnetic compatibility (EMC)	EN 61000-6-3/A1:2011-03 / EN 61000-6-2:2005-08
Vibration resistance	EN 60068-2-6:2008-02
Shock resistance	EN 60068-2-27:2009-05
Ambient operating temperature	-35 °C ... +50 °C
Storage temperature	-35 °C ... +70 °C
Permissible relative humidity	< 90 %, Non-condensing

CERTIFICATES

EU declaration of conformity	✓
UK declaration of conformity	✓
ACMA declaration of conformity	✓
China RoHS	✓
cULus certificate	✓

DIMENSIONAL DRAWING



Dimensions in mm (inch)

① For cylinder head screw M6 x 12

Further information as well as suitable accessories, example applications and downloads such as CAD dimensional models, operating instructions and software can be found at www.sick.com/1058966



SICK AG
WALDKIRCH
GERMANY
SICK.COM

SICK AT A GLANCE

SICK is a leading global technology company for intelligent sensors and integrated solutions in industrial automation. Our technologies set benchmarks, making your industrial processes more efficient, safer and more sustainable – both in logistics and manufacturing operations.

SICK combines sensor intelligence with industry expertise and certified consulting services. We provide the ideal foundation for scalable as well as tailor-made automation solutions and create added value along the entire value chain. Our close partnerships with our customers are more than just a promise: Together, we optimize productivity, improve quality, protect health and safety, and help build a sustainable future. All with empathy and trust.

Since 1946, we have been developing innovative technologies with passion and a pioneering spirit. With a global network in around 40 countries, SICK has a global presence and is always close by. The company's headquarters are located in Waldkirch near Freiburg, Germany. Our customers benefit from our understanding of both local and global requirements, which enables us to deliver tailor-made solutions

SICK
Sensor Intelligence