



DATA SHEET

WSE12-3V1111S01

W12
Photoelectric sensors

SICK

Sensor Intelligence

PHOTOELECTRIC SENSORS

WSE12-3V1111S01

ORDERING INFORMATION

Type	part no.
WSE12-3V1111S01	1058190

Further device versions and accessories at www.sick.com/W12



Illustration may differ



DETAILED TECHNICAL DATA

FEATURES

Functional principle	Through-beam photoelectric sensor	
Sensing range max.	0 m ... 20 m	
Sensing range	0 m ... 15 m	
Emitted beam	Light source	LED ¹⁾
	Type of light	Infrared light
Key LED figures	Wave length	850 nm
	Adjustment	Potentiometer, 5 turns
Angle of dispersion	Approx. 1.5°	
Special features	Alarm output	
Part number of individual components	2046739 WS12-3D1110 2064081 WE12-3V1111S01	

¹⁾ Average service life: 100,000 h at $T_u = +25\text{ °C}$.

SAFETY-RELATED PARAMETERS

MTTF _D	826 years
DC _{avg}	0 %

ELECTRONICS

Supply voltage U_B	10 V DC ... 30 V DC ¹⁾
Ripple	$< 5 V_{pp}$ ²⁾
Current consumption, sender	$\leq 30 \text{ mA}$ ³⁾
Current consumption, receiver	$\leq 15 \text{ mA}$ ³⁾
Protection class	III
Digital output	Type PNP Switching mode Dark switching Signal voltage PNP HIGH/LOW $> U_V - 2,5 \text{ V} / \text{ca. } 0 \text{ V}$ Output current I_{max} $\leq 100 \text{ mA}$ Response time $\leq 330 \mu\text{s}$ ⁴⁾ Switching frequency $1,500 \text{ Hz}$ ⁵⁾
Circuit protection	A ⁶⁾ C ⁷⁾ D ⁸⁾
Test input sender off	TE to 0 V

¹⁾ Limit values when operated in short-circuit protected network: max. 8 A.

²⁾ May not fall below or exceed U_V tolerances.

³⁾ Without load.

⁴⁾ Signal transit time with resistive load.

⁵⁾ With light/dark ratio 1:1.

⁶⁾ A = V_g connections reverse-polarity protected.

⁷⁾ C = interference suppression.

⁸⁾ D = outputs overcurrent and short-circuit protected.

MECHANICS

Housing	Rectangular
Dimensions (W x H x D)	15.6 mm x 48.5 mm x 42 mm
Connection	Cable, 4-wire, 2 m ¹⁾
Connection detail	Conductor size 0.25 mm^2 Length of cable (L) 2 m ¹⁾
Material	Housing Metal Front screen Plastic, PMMA Cable Plastic, PVC
Weight	200 g

¹⁾ Do not bend below 0 °C.

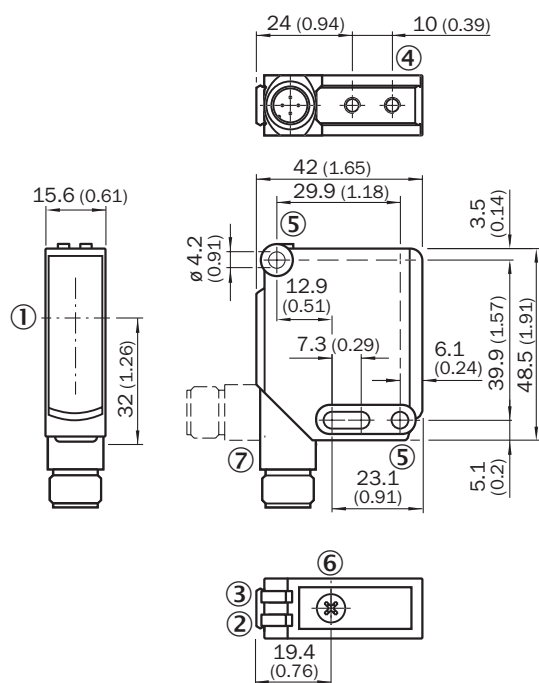
AMBIENT DATA

Enclosure rating	IP66 IP67 IP69K
Ambient operating temperature	-40 °C ... +60 °C
Ambient temperature, storage	-40 °C ... +75 °C

CERTIFICATES

EU declaration of conformity	✓
UK declaration of conformity	✓
ACMA declaration of conformity	✓
Moroccan declaration of conformity	✓
China RoHS	✓
ECOLAB certificate	✓
cULus certificate	✓
Photobiological safety (DIN EN 62471) certificate	✓

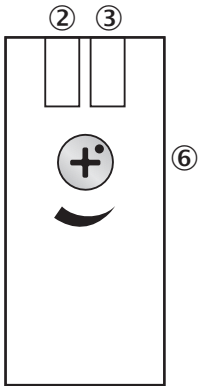
DIMENSIONAL DRAWING WL12-3, WSE12-3



Dimensions in mm (inch)

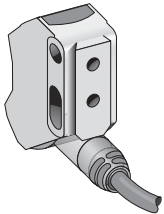
- ① Optical axis
- ② LED indicator yellow: Status of received light beam
- ③ LED indicator green: Supply voltage active
- ④ M4 threaded mounting hole, 4 mm deep
- ⑤ Mounting hole, $\varnothing 4.2$ mm
- ⑥ Sensitivity control: potentiometer
- ⑦ Connection

ADJUSTMENTS WL12-3, WSE12-3

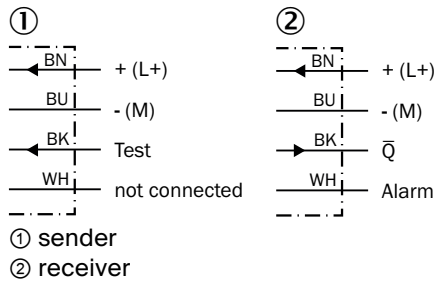


- ② LED indicator yellow: Status of received light beam
- ③ LED indicator green: Supply voltage active
- ⑥ Sensitivity control: potentiometer

CONNECTION TYPE



CONNECTION DIAGRAM CD-090



Further information as well as suitable accessories, example applications and downloads such as CAD dimensional models, operating instructions and software can be found at www.sick.com/1058190



SICK AG
WALDKIRCH
GERMANY
SICK.COM

SICK AT A GLANCE

SICK is a leading global technology company for intelligent sensors and integrated solutions in industrial automation. Our technologies set benchmarks, making your industrial processes more efficient, safer and more sustainable – both in logistics and manufacturing operations.

SICK combines sensor intelligence with industry expertise and certified consulting services. We provide the ideal foundation for scalable as well as tailor-made automation solutions and create added value along the entire value chain. Our close partnerships with our customers are more than just a promise: Together, we optimize productivity, improve quality, protect health and safety, and help build a sustainable future. All with empathy and trust.

Since 1946, we have been developing innovative technologies with passion and a pioneering spirit. With a global network in around 40 countries, SICK has a global presence and is always close by. The company's headquarters are located in Waldkirch near Freiburg, Germany. Our customers benefit from our understanding of both local and global requirements, which enables us to deliver tailor-made solutions

SICK
Sensor Intelligence