



PGT-11-S LAN

PGT-11-S

PROGRAMMING DEVICES

SICK
Sensor Intelligence.



Ordering information

Type	part no.
PGT-11-S LAN	1057324

Other models and accessories → www.sick.com/PGT-11-S



Detailed technical data

Features

Product segment	Programming devices
Product	PGT-11-S
Description	SVip® LAN programming tool for all motor feedback systems
Suitable for	SRS/SRM50, SKS/SKM36, SFS/SFM60, SES/SEM70, SES/SEM90, TTK50/70, EKS/EKM36, EES/EEM37, EDS/EDM35, VFS60, CKS36
Items supplied	1x programming tool PGT-11-S LAN, 1x power supply unit 100-240 V AC / 12 V DC, primary adapter (Europe, UK, USA/Japan, Australia), Ethernet cable 3 m
Dimensions (W x H x L)	70 mm x 30 mm x 90 mm

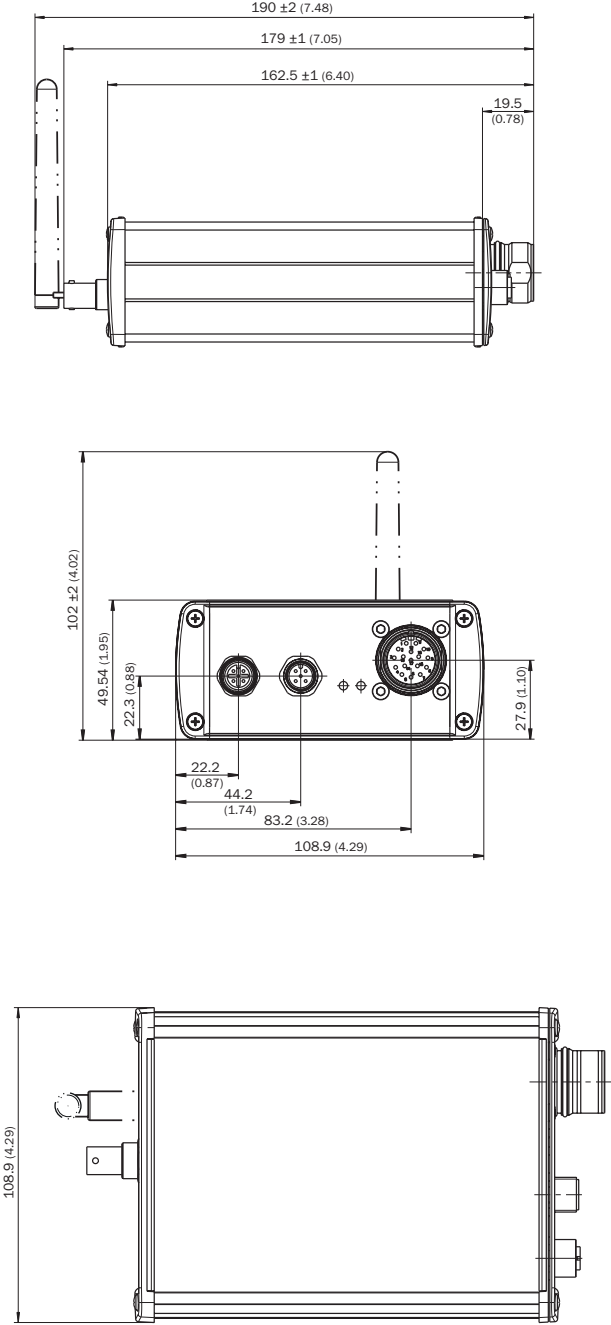
Classifications

ECLASS 5.0	27279211
ECLASS 5.1.4	27279211
ECLASS 6.0	27279211
ECLASS 6.2	27279211
ECLASS 7.0	27279211
ECLASS 8.0	27279211
ECLASS 8.1	27279211
ECLASS 9.0	19200592
ECLASS 10.0	19200592
ECLASS 11.0	19200592
ECLASS 12.0	19200592
ETIM 5.0	EC001418
ETIM 6.0	EC001418
ETIM 7.0	EC001418
ETIM 8.0	EC001418
UNSPSC 16.0901	32151707

Certificates

EU declaration of conformity	✓
UK declaration of conformity	✓
ACMA declaration of conformity	✓
China RoHS	✓

Dimensional drawing



Dimensions in mm (inch)

Recommended accessories

Other models and accessories → www.sick.com/PGT-11-S

	Brief description	Type	part no.
connectors and cables			
	<ul style="list-style-type: none"> • Connection type head A: Female connector, JST, 8-pin, straight • Connection type head B: Male connector, M23, 17-pin, straight • Signal type: Incremental • Cable: 1 m, 8-wire • Description: Incremental, unshielded 	DSL-2317-G01MJB7	2071332
	<ul style="list-style-type: none"> • Connection type head A: Female connector, terminal box, 8-pin, straight • Connection type head B: Male connector, M23, 17-pin, straight • Signal type: Incremental • Cable: 1 m, 8-wire • Description: Incremental, unshielded 	DSL-2317-G01MJC7	2071331
	<ul style="list-style-type: none"> • Connection type head A: Female connector, terminal box, 8-pin, straight • Connection type head B: Male connector, M23, 17-pin, straight • Signal type: HIPERFACE® • Cable: 1 m, 8-wire • Description: HIPERFACE®, unshielded 	DSL-2317-G01MJC6	2071330
	<ul style="list-style-type: none"> • Connection type head A: Female connector, M12, 8-pin, straight • Connection type head B: Male connector, M23, 17-pin, straight • Signal type: HIPERFACE® • Cable: 1 m, 8-wire • Description: HIPERFACE®, unshielded 	DSL-2317-G01MJC1	2071329
	<ul style="list-style-type: none"> • Connection type head A: Female connector, M23, 12-pin, straight • Connection type head B: Male connector, M23, 17-pin, straight • Signal type: HIPERFACE® • Cable: 1 m, 8-wire • Description: HIPERFACE®, unshielded 	DSL-2317-G01MJB2	2071328
	<ul style="list-style-type: none"> • Connection type head A: Female connector, JST, 8-pin, straight • Connection type head B: Male connector, M23, 17-pin, straight • Signal type: HIPERFACE® • Cable: 1 m, 8-wire • Description: HIPERFACE®, unshielded 	DSL-2317-G01MJB6	2071327
	<ul style="list-style-type: none"> • Connection type head A: Female connector, DUBOX, 8-pin, straight • Connection type head B: Male connector, M23, 17-pin, straight • Signal type: HIPERFACE® • Cable: 1 m, 8-wire • Description: HIPERFACE®, unshielded 	DSL-2317-G01MJB1	2071326
	<ul style="list-style-type: none"> • Connection type head A: Female connector, M12, 4-pin, straight • Connection type head B: Female connector, JST, 4-pin, straight • Signal type: HIPERFACE DSL® • Cable: 1 m • Description: HIPERFACE DSL®, shielded 	DSL-1202-G01MA	2061361
	<ul style="list-style-type: none"> • Connection type head A: Female connector, M12, 8-pin, straight • Connection type head B: Female connector, M23, 12-pin, straight • Signal type: HIPERFACE® • Cable: 1 m, 8-wire • Description: HIPERFACE®, unshielded 	YF2AA8-010S01M23BE	2109107

SICK AT A GLANCE

SICK is one of the leading manufacturers of intelligent sensors and sensor solutions for industrial applications. A unique range of products and services creates the perfect basis for controlling processes securely and efficiently, protecting individuals from accidents and preventing damage to the environment.

We have extensive experience in a wide range of industries and understand their processes and requirements. With intelligent sensors, we can deliver exactly what our customers need. In application centers in Europe, Asia and North America, system solutions are tested and optimized in accordance with customer specifications. All this makes us a reliable supplier and development partner.

Comprehensive services complete our offering: SICK LifeTime Services provide support throughout the machine life cycle and ensure safety and productivity.

For us, that is “Sensor Intelligence.”

WORLDWIDE PRESENCE:

Contacts and other locations –www.sick.com