



# VISIC620-1121

VISIC620

VISUAL RANGE MEASURING DEVICES

**SICK**  
Sensor Intelligence.



### Ordering information

Type	Part no.
VISIC620-1121	1053056

Our regional sales organization will help you to select the optimum device configuration.

Other models and accessories → [www.sick.com/VISIC620](http://www.sick.com/VISIC620)



### Detailed technical data

#### Technical specifications

<b>Description</b>	Visibility measuring device incl. connecting cable, with male connector, length 5 m, with one analog output and two relay contacts
<b>Measured values</b>	Standard visual range, K-value
<b>Maximum number of measurands</b>	1
<b>Measurement principles</b>	Scattered light forward
<b>Spectral range</b>	640 nm ... 660 nm Laser, protection class 2, power < 1 mW
<b>Measuring ranges</b>	Standard visual range 10 ... 500 m / 10 ... 16,000 m Output range freely adjustable
<b>Response time (t<sub>90</sub>)</b>	2 s ... 300 s
<b>Accuracy</b>	± 5 m For visual range below 50 m ± 10 % Of measured value for visual range below 5,000 m ± 20 % Of measured value for visual range below 16,000 m
<b>Repeatability</b>	± 2 %: for a visual range of 200 m
<b>Ambient temperature</b>	-30 °C ... +55 °C
<b>Storage temperature</b>	-40 °C ... +75 °C
<b>Ambient humidity</b>	0 % ... 100 %
<b>Electrical safety</b>	CE
<b>Enclosure rating</b>	IP69K
<b>Analog outputs</b>	1 output:

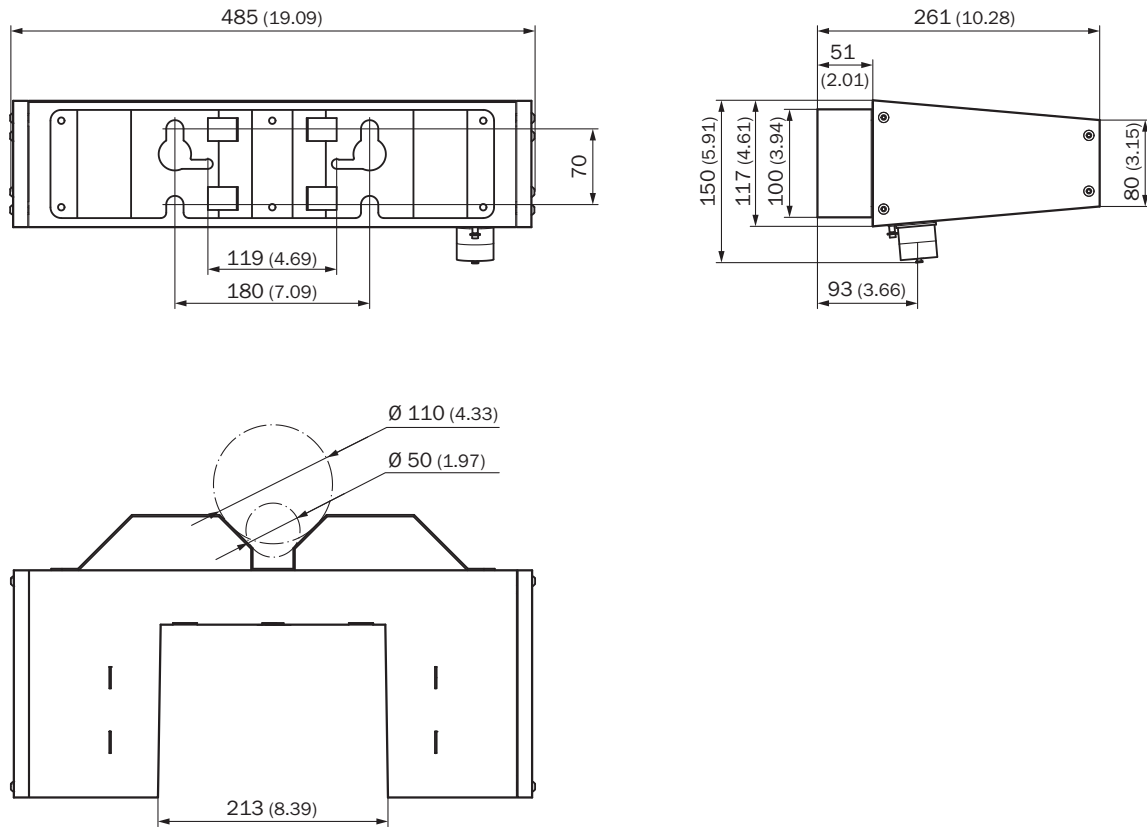
	0 ... 20 mA, 500 Ω
<b>Digital outputs</b>	2 relay contacts: 48 V AC, 35 W / 48 V DC, 24 W
<b>Serial</b>	
Type of fieldbus integration	RS-232
Function	Proprietary service interface, connection to SOPAS ET software
<b>Dimensions (W x H x D)</b>	479 mm x 117 mm x 261 mm (for details see dimensional drawings)
<b>Weight</b>	5.6 kg
<b>Material</b>	Stainless steel 1.4571, powder-coated
<b>Energy supply</b>	
Voltage	24 V DC, ± 10 %
Power consumption	≤ 10 W
<b>Test functions</b>	Automatic self-test (contamination, drift, LED, disturbing objects)

### Classifications

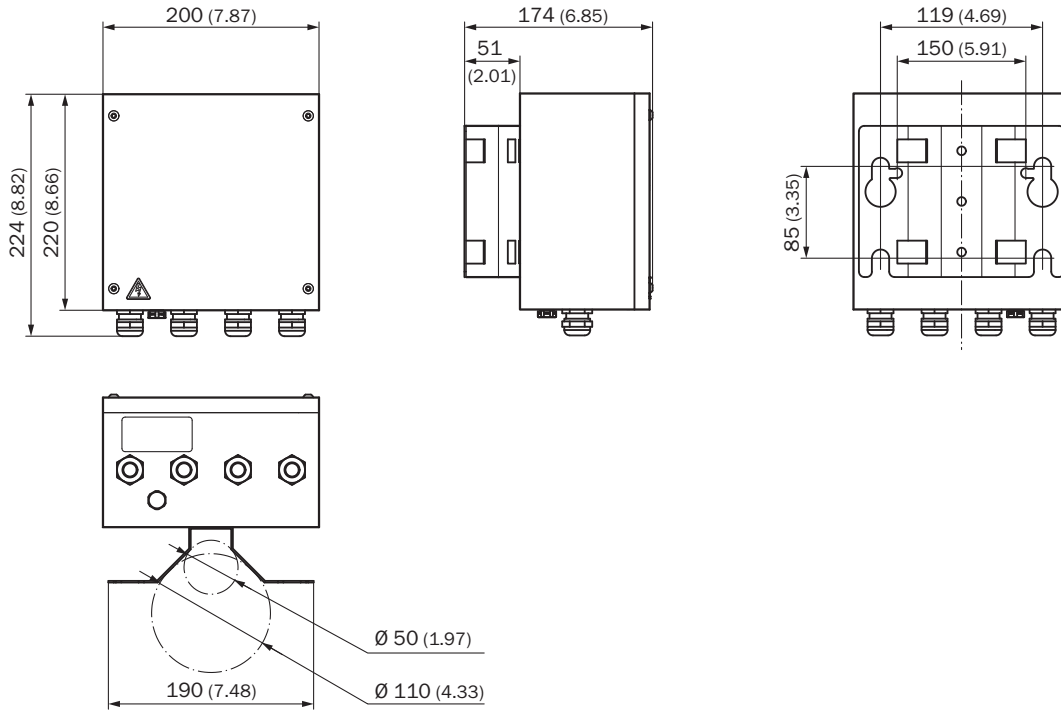
<b>ECLASS 5.0</b>	27150305
<b>ECLASS 5.1.4</b>	27150305
<b>ECLASS 6.0</b>	27150305
<b>ECLASS 6.2</b>	27150305
<b>ECLASS 7.0</b>	27150305
<b>ECLASS 8.0</b>	27150305
<b>ECLASS 8.1</b>	27150305
<b>ECLASS 9.0</b>	27150305
<b>ECLASS 10.0</b>	27150305
<b>ECLASS 11.0</b>	27150305
<b>ETIM 5.0</b>	EC001190
<b>ETIM 6.0</b>	EC001190
<b>ETIM 7.0</b>	EC001190
<b>ETIM 8.0</b>	EC001190
<b>UNSPSC 16.0901</b>	41115406

**Dimensional drawing** (Dimensions in mm (inch))

VISIC620 measuring unit



VISIC620 connection unit



## SICK AT A GLANCE

SICK is one of the leading manufacturers of intelligent sensors and sensor solutions for industrial applications. A unique range of products and services creates the perfect basis for controlling processes securely and efficiently, protecting individuals from accidents and preventing damage to the environment.

We have extensive experience in a wide range of industries and understand their processes and requirements. With intelligent sensors, we can deliver exactly what our customers need. In application centers in Europe, Asia and North America, system solutions are tested and optimized in accordance with customer specifications. All this makes us a reliable supplier and development partner.

Comprehensive services complete our offering: SICK LifeTime Services provide support throughout the machine life cycle and ensure safety and productivity.

For us, that is “Sensor Intelligence.”

## WORLDWIDE PRESENCE:

Contacts and other locations –[www.sick.com](http://www.sick.com)