



# Mutingsystem M40Z, Komplett-Paket, Säulen- höhe 2270 mm

M4000 Advanced A/P

SAFETY MULTIBEAM SENSORS

**SICK**  
Sensor Intelligence.

## SAFETY MULTIBEAM SENSORS



Illustration may differ

### Ordering information

Type	part no.
Mutingsystem M40Z, Komplett-Paket, Säulenhöhe 2270 mm	1051081

**Included in delivery:** BEF-KHS-N01 (4), DOS-0612G000GA3KM0 (1), GL10-F4551 (2), M40Z-025023TB0 (1), P250 (2), PSD01-2501 (1), Round steel arm (4), UE403-A0930 (1), YF2A15-010UB5M2A15 (1), YG2A14-020S01M2A13 (2), PU3H22-00000000 (2), BEF-2SMGEAAL2 (2)

Other models and accessories → [www.sick.com/M4000\\_Advanced\\_A\\_P](http://www.sick.com/M4000_Advanced_A_P)

### Detailed technical data

#### Features

<b>Column height</b>	2,270 mm
<b>Functional principle</b>	Active/passive
<b>System part</b>	Set
<b>Type of diversion</b>	Fibre-optic deflection
<b>Scanning range</b>	0.5 m ... 4.5 m
<b>Number of beams</b>	2
<b>Beam separation</b>	500 mm
<b>Response time</b>	10 ms
<b>Synchronization</b>	Optical synchronization
<b>End cap with integrated LED</b>	✓
<b>Items supplied</b>	1 × active unit M40Z-S109 (corresponds to #1200125 preconfigured), premounted in device column PU3H22 (#2045645, column height 2,270 mm, 1st beam 400 mm above floor) 1 × passive unit PSD01-2501 with fiber-optic deflection (#1027907), premounted in device column PU3H22 (#2045645, column height 2,270 mm, 1st beam 400 mm above floor) 1 × safety switching amplifier UE403 (#1026287) 2 × muting sensor GL10-F4551 (#1071153), premounted on universal bracket (#2044953) on a 400 mm muting arm (#2045879), incl. connection cable M12, 4-pin (#2105152) for connecting to UE403 2 × reflector P250 (#5304812), premounted on universal bracket (#2044953) on a 400 mm muting arm (#2045879) 1 × for active unit on the system connection: Ready to assemble Hirschmann female cable connector M26, 12-pin (#6020757) 1 × for active unit on the extension connection: Connection cable M12, 5-pin (#2096007) for connecting to UE403

#### Safety-related parameters

<b>Type</b>	Type 4 (IEC 61496-1)
<b>Safety integrity level</b>	SIL 3 (IEC 61508)
<b>Category</b>	Category 4 (EN ISO 13849)
<b>Performance level</b>	PL e (EN ISO 13849)
<b>PFH<sub>D</sub> (mean probability of a dangerous failure per hour)</b>	$6.6 \times 10^{-9}$ (EN ISO 13849)
<b>T<sub>M</sub> (mission time)</b>	20 years (EN ISO 13849)

<b>Safe state in the event of a fault</b>	At least one OSSD is in the OFF state.
---	--

### Functions

	Functions	Delivery status
<b>Beam coding</b>	✓	
<b>Restart interlock</b>	✓	
<b>External device monitoring (EDM)</b>	✓	
<b>Configurable application diagnostic output</b>	✓	Muting status
<b>Safe SICK device communication via EFI</b>	✓	
<b>Differentiation between man and material (muting)</b>	✓	
Type of human-material differentiation	Cross muting (2 sensors)	

### Interfaces

<b>System connection</b>	Hirschmann male connector M26, 12-pin
Permitted cable length	50 m <sup>1)</sup>
Permitted cross-section	≥ 0.75 mm <sup>2</sup>
<b>Configuration connection</b>	Female connector M8, 4-pin
<b>Configuration method</b>	PC with CDS (Configuration and Diagnostic Software)
<b>Display elements</b>	LEDs 7-segment display
<b>End cap with integrated LED</b>	✓
<b>Application diagnostic output (ADO)</b>	✓

<sup>1)</sup> Depending on load, power supply and wire cross-section. The technical specifications must be observed.

### Electronics

<b>Protection class</b>	III (IEC 61140)
<b>Supply voltage <math>V_S</math></b>	24 V DC (19.2 V DC ... 28.8 V DC) <sup>1)</sup>
<b>Residual ripple</b>	≤ 10 % <sup>2)</sup>
<b>Power consumption</b>	≤ 0.6 A <sup>3)</sup>
<b>Output signal switching devices (OSSDs)</b>	2 PNP semiconductors, short-circuit protected, cross-circuit monitored <sup>4)</sup>
ON state, switching voltage HIGH	24 V DC ( $V_S - 2.25$ V DC ... $V_S$ )
OFF state, switching voltage LOW	≤ 2 V DC
Current-carrying capacity per OSSD	≤ 500 mA

<sup>1)</sup> The external voltage supply must be capable of buffering brief mains voltage failures of 20 ms as specified in EN 60204-1. Suitable power supplies are available as accessories from SICK.

<sup>2)</sup> Within the limits of  $V_S$ .

<sup>3)</sup> Without load.

<sup>4)</sup> Applies to the voltage range between -30 V and +30 V.

### Mechanics

<b>Dimensions</b>	See dimensional drawing
<b>Material</b>	
Housing	Aluminum alloy ALMGSI 0.5, powder coated
Front screen	Polycarbonate, scratch-resistant coating

## SAFETY MULTIBEAM SENSORS

### Ambient data

<b>Enclosure rating</b>	IP65 (EN 60529)
<b>Ambient operating temperature</b>	-30 °C ... +55 °C
<b>Storage temperature</b>	-30 °C ... +70 °C
<b>Air humidity</b>	15 % ... 95 %, Non-condensing
<b>Vibration resistance</b>	5 g, 10 Hz ... 55 Hz (EN 60068-2-6)
<b>Shock resistance</b>	10 g, 16 ms (EN 60068-2-27)

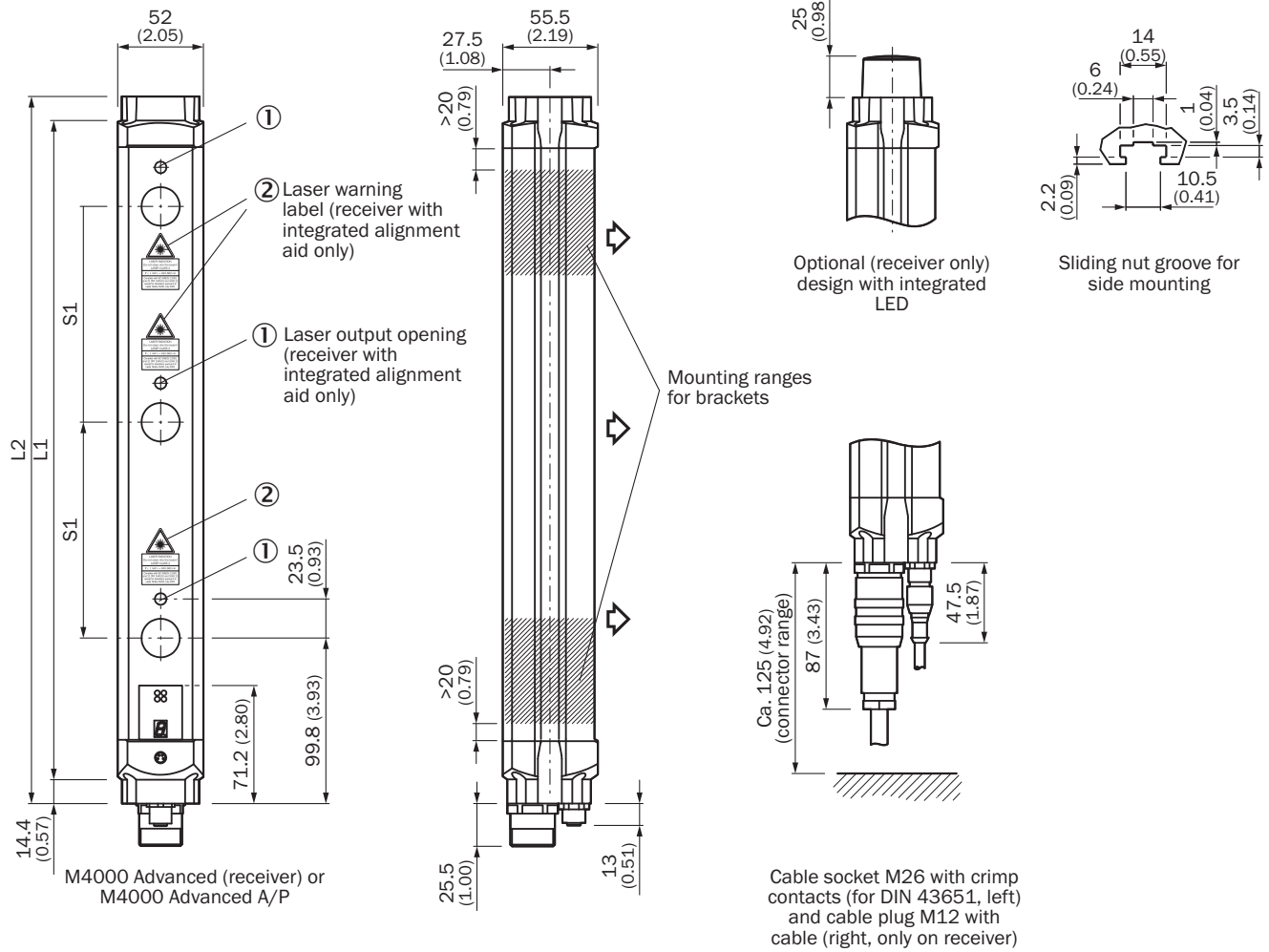
### Other information

<b>Wave length</b>	850 nm
--------------------	--------

### Classifications

<b>ECLASS 5.0</b>	27272703
<b>ECLASS 5.1.4</b>	27272703
<b>ECLASS 6.0</b>	27272703
<b>ECLASS 6.2</b>	27272703
<b>ECLASS 7.0</b>	27272703
<b>ECLASS 8.0</b>	27272703
<b>ECLASS 8.1</b>	27272703
<b>ECLASS 9.0</b>	27272703
<b>ECLASS 10.0</b>	27272703
<b>ECLASS 11.0</b>	27272703
<b>ECLASS 12.0</b>	27272703
<b>ETIM 5.0</b>	EC001832
<b>ETIM 6.0</b>	EC001832
<b>ETIM 7.0</b>	EC001832
<b>ETIM 8.0</b>	EC001832
<b>UNSPSC 16.0901</b>	46171620

## Dimensional drawing Active unit



Dimensions in mm (inch)

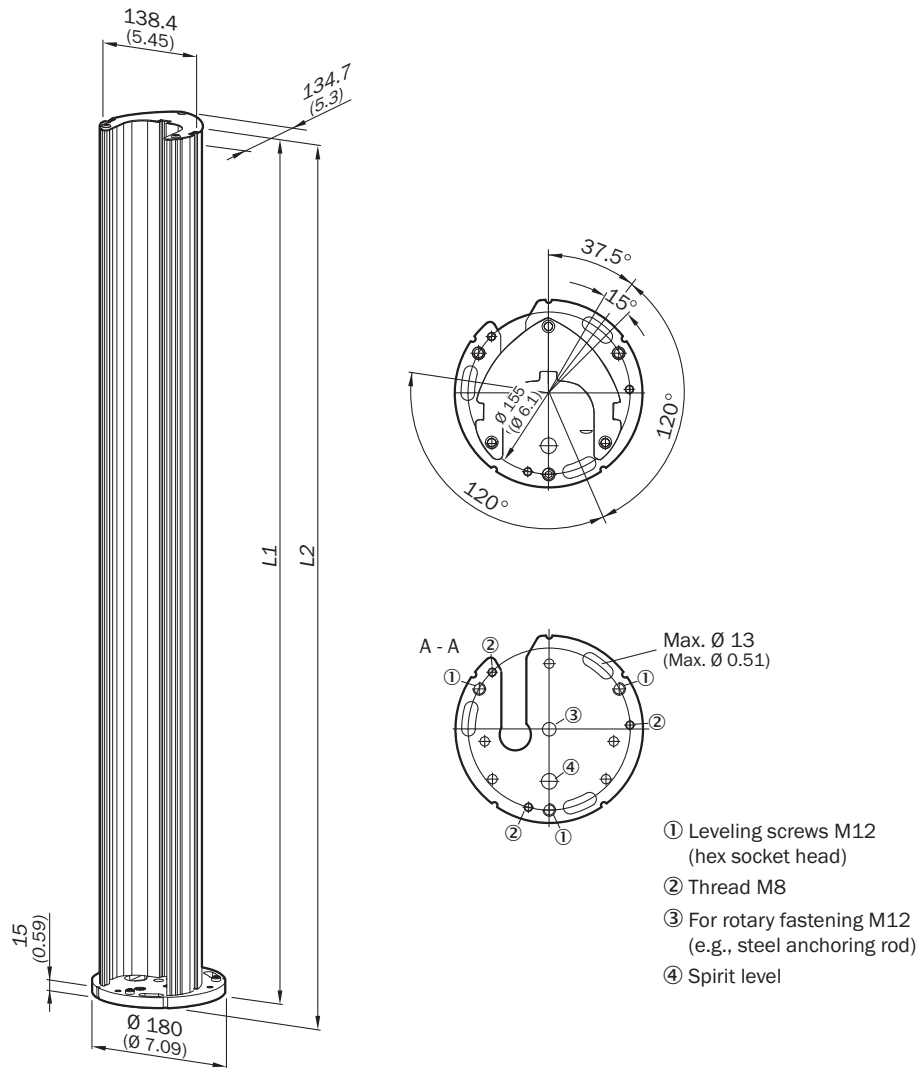
Sender/receiver in one housing

		<b>L1</b>	<b>L2</b>
2	500	643	672
4	300	1,043	1,072

# Mutingsystem M40Z, Komplett-Paket, Säulenhöhe 2270 mm | M4000 Advanced A/P

## SAFETY MULTIBEAM SENSORS

### Dimensional drawing PU3



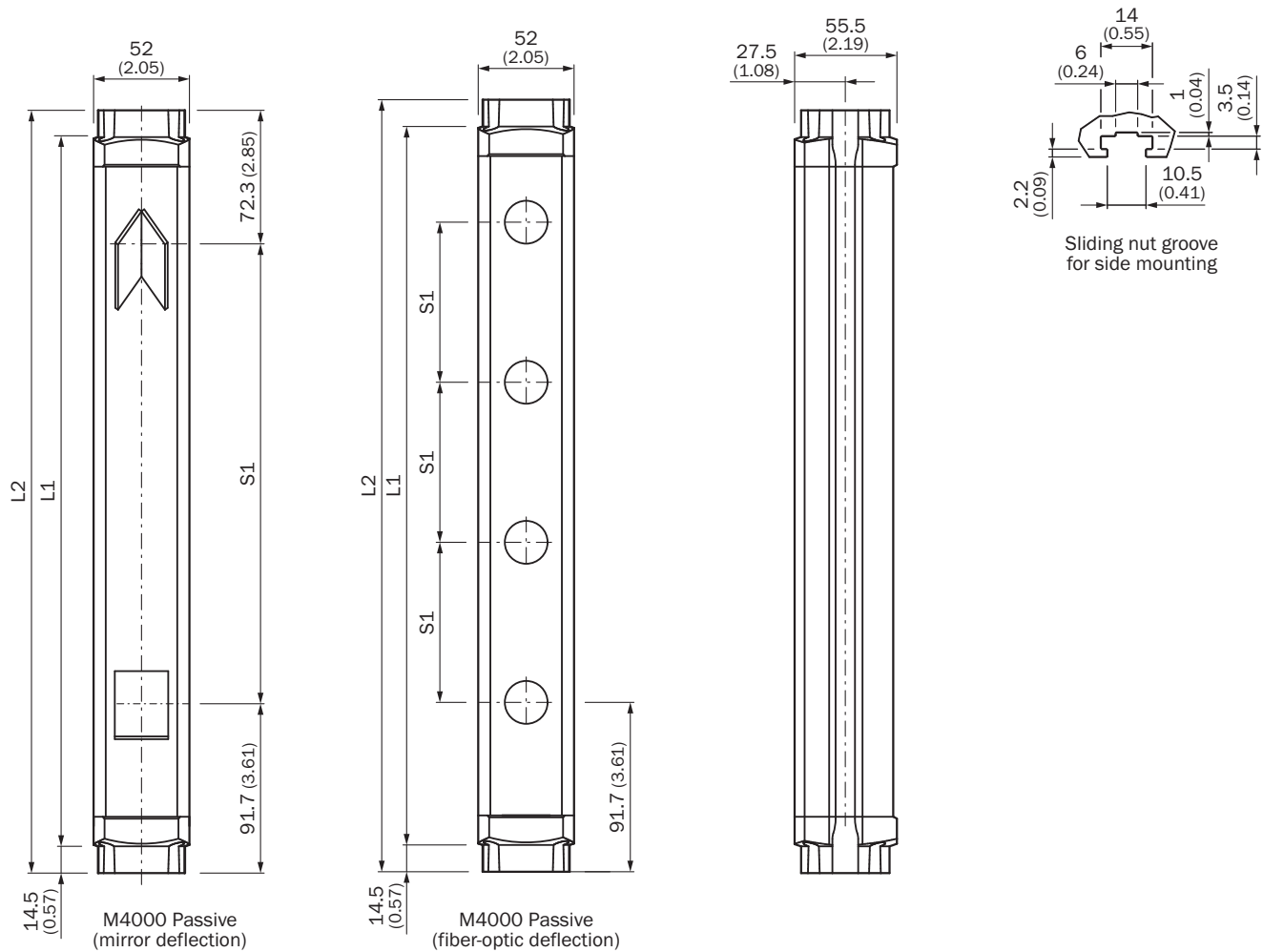
Dimensions in mm (inch)

- ① leveling screws M12 (hex socket head)
- ② thread M8
- ③ for rotary fastening M12 (e.g., steel anchoring rod)
- ④ spirit level

Type	Part no.	L1 = Column profile height	L2 = Column height (incl. base plate)	Safety light curtains		Safety light-beam sensors	
				Suitable for protective field height		Suitable for number of beams	Suitable for beam separation
				deTec	C2000, C4000, M4000 Curtain		
PU3H96-00000000	2045490	965	985	≤ 900 mm	≤ 600 mm	2	500 mm
PU3H11-00000000	2045641	1.165	1.185	≤ 1.050 mm	≤ 900 mm	3	400 mm
PU3H13-00000000	2045642	1.265	1.285	≤ 1.200 mm	≤ 1.050 mm	4	300 mm
PU3H15-00000000	2068813	1.550	1.570	≤ 1.500 mm	≤ 1.350 mm	Any	Any
PU3H17-00000000	2045643	1.720	1.740	≤ 1.650 mm	≤ 1.350 mm	Any	Any
PU3H21-00000000	2045644	2.020	2.040	≤ 1.950 mm	≤ 1.650 mm	Any	Any

Type	Part no.	L1 = Column profile height	L2 = Column height (incl. base plate)	Safety light curtains		Safety light-beam sensors	
				Suitable for protective field height		Suitable for number of beams	Suitable for beam separation
				deTec	C2000, C4000, M4000 Curtain		
PU3H22-00000000	2045645	2.250	2.270	≤ 2.100 mm	≤ 1.800 mm	Any	Any
PU3H24-00000000	2045646	2.400	2.420	≤ 2.100 mm	≤ 1.800 mm	Any	Any

### Dimensional drawing Passive unit



Dimensions in mm (inch)  
deflector unit

		L1	L2
2	500	643	672
4	300	1,043	1,072





# Mutingsystem M40Z, Komplett-Paket, Säulenhöhe 2270 mm | M4000 Advanced A/P

## SAFETY MULTIBEAM SENSORS

### Recommended accessories

Other models and accessories → [www.sick.com/M4000\\_Advanced\\_A\\_P](http://www.sick.com/M4000_Advanced_A_P)

	Brief description	Type	part no.
<b>Mounting systems</b>			
	<ul style="list-style-type: none"> <li><b>Description:</b> Mounting kit 6, side bracket, rotatable</li> <li><b>Material:</b> Zinc diecast</li> <li><b>Details:</b> Zinc diecast</li> <li><b>Packing unit:</b> 4 pieces</li> <li><b>Suitable for:</b> All protective field heights</li> </ul>	BEF-1SHABAZN4	2019506
	<ul style="list-style-type: none"> <li><b>Description:</b> Mounting kit 1, mounting bracket, rigid, L-shaped, including fixing screws and washers</li> <li><b>Packing unit:</b> 4 pieces</li> <li><b>Suitable for:</b> All protective field heights</li> </ul>	BEF-3WNGBAST4	7021352
	<ul style="list-style-type: none"> <li><b>Description:</b> Omega bracket, rotatable, fixable with only one screw, for mounting on the swivel mount</li> <li><b>Packing unit:</b> 4 pieces</li> <li><b>Items supplied:</b> Including spacer discs</li> <li><b>Suitable for:</b> All protective field heights</li> </ul>	BEF-2SMGEAAL4	2044846
	<ul style="list-style-type: none"> <li><b>Description:</b> Parallel muting (2 sensors), muting sensor brackets for mounting on M4000 housing profile or device columns with external mounting grooves</li> <li><b>Items supplied:</b> 2 x round steel arm, 4 x universal bracket, 2 x WL280-2P1131 incl. cable and male connector, 2 x reflector P250</li> <li><b>Suitable for:</b> M4000 Advanced, M4000 Advanced A/P, M4000 Advanced Curtain, PU3Hxx</li> </ul>	Muting arm kit M4000, 2 sensors, parallel muting	2060157
	<ul style="list-style-type: none"> <li><b>Description:</b> Mounting kit 12, rotatable, swivel mount</li> <li><b>Packing unit:</b> 4 pieces</li> <li><b>Suitable for:</b> All protective field heights</li> </ul>	BEF-2SMGEAKU4	2030510
<b>Commissioning aids and test equipment</b>			
	<ul style="list-style-type: none"> <li><b>Product:</b> Alignment aids</li> <li><b>Dimensions (W x H x L):</b> 19 mm 67.3 mm 66.9 mm</li> <li><b>Description:</b> Laser alignment aid for various sensors, laser class 2 (IEC 60825). Do not look into the beam!</li> </ul>	AR60	1015741
	<ul style="list-style-type: none"> <li><b>Product:</b> Alignment aids</li> <li><b>Description:</b> Adapter AR60 for M4000 and M4000 Curtain</li> </ul>	AR60 adapter, M4000	4040006

	Brief description	Type	part no.
connectors and cables			
	<ul style="list-style-type: none"> <li><b>Description:</b> Unshielded</li> <li><b>Connection type head A:</b> Female connector, M26, 12-pin, straight, A-coded</li> <li><b>Connection systems:</b> Crimp contacts</li> <li><b>Permitted cross-section:</b> 0.5 mm<sup>2</sup> ... 1.5 mm<sup>2</sup></li> <li><b>Note:</b> 12 crimping contacts enclosed</li> </ul>	DOS-0612G000GA3KMC	6020757
	<ul style="list-style-type: none"> <li><b>Description:</b> Unshielded</li> <li><b>Connection type head A:</b> Female connector, M26, 12-pin, angled, A-coded</li> <li><b>Connection systems:</b> Crimp contacts</li> <li><b>Permitted cross-section:</b> 0.5 mm<sup>2</sup> ... 1.5 mm<sup>2</sup></li> <li><b>Note:</b> 12 crimping contacts enclosed</li> </ul>	DOS-0612W000GA3KMC	6020758
	<ul style="list-style-type: none"> <li><b>Connection type head A:</b> Female connector, M26, 12-pin, straight</li> <li><b>Connection type head B:</b> Flying leads</li> <li><b>Signal type:</b> Sensor/actuator cable</li> <li><b>Cable:</b> 5 m, 12-wire, PVC</li> <li><b>Description:</b> Sensor/actuator cable, unshielded</li> <li><b>Connection systems:</b> Flying leads</li> <li><b>Application:</b> Uncontaminated zones, Zones with chemicals</li> </ul>	DOL-0612G05M075KMC	2022545
system plugs and extension modules			
	<ul style="list-style-type: none"> <li><b>Applications:</b> Muting switching amplifier</li> <li><b>Compatible sensor types:</b> M4000 Advanced multiple light beam safety devices</li> <li><b>Mounting:</b> Flexible mounting on the M4000 Advanced or directly in the system</li> </ul>	UE403-A0930	1026287

## SICK AT A GLANCE

SICK is one of the leading manufacturers of intelligent sensors and sensor solutions for industrial applications. A unique range of products and services creates the perfect basis for controlling processes securely and efficiently, protecting individuals from accidents and preventing damage to the environment.

We have extensive experience in a wide range of industries and understand their processes and requirements. With intelligent sensors, we can deliver exactly what our customers need. In application centers in Europe, Asia and North America, system solutions are tested and optimized in accordance with customer specifications. All this makes us a reliable supplier and development partner.

Comprehensive services complete our offering: SICK LifeTime Services provide support throughout the machine life cycle and ensure safety and productivity.

For us, that is “Sensor Intelligence.”

## WORLDWIDE PRESENCE:

Contacts and other locations –[www.sick.com](http://www.sick.com)