



FX0-GPRO00000

Flexi Soft

SAFETY CONTROLLERS

SICK
Sensor Intelligence.



Ordering information

| Type | part no. |
|---------------|----------|
| FX0-GPRO00000 | 1044075 |

Other models and accessories → www.sick.com/Flexi_Soft



Detailed technical data

Features

| | |
|-------------------------------------|------------------------------------|
| Module | Gateway |
| Fieldbus, industrial network | PROFIBUS DP |
| Configuration method | Via software (Flexi Soft Designer) |

Interfaces

| | |
|-------------------------------------|------------------------------------|
| Fieldbus, industrial network | PROFIBUS DP |
| Data transmission rate | 12,000 kbit/s ¹⁾ |
| Connection type | 1 x female connector, D-Sub, 9-pin |

¹⁾ Depending on cable length.

Electronics

| | |
|-----------------------------------|-----------------------|
| Protection class | III (EN 61140) |
| Voltage supply | Via FLEXBUS+ |
| Internal power consumption | ≤ 1.6 W ¹⁾ |

¹⁾ Via FLEXBUS+.

Mechanics

| | |
|-------------------------------|----------------------------|
| Dimensions (W x H x D) | 22.5 mm x 96.5 mm x 126 mm |
| Weight | 150 g (± 10 %) |

Ambient data

| | |
|--------------------------------------|------------------------|
| Enclosure rating | IP20 (EN 60529) |
| Ambient operating temperature | -25 °C ... +55 °C |
| Storage temperature | -25 °C ... +70 °C |
| Air humidity | ≤ 95 %, Non-condensing |

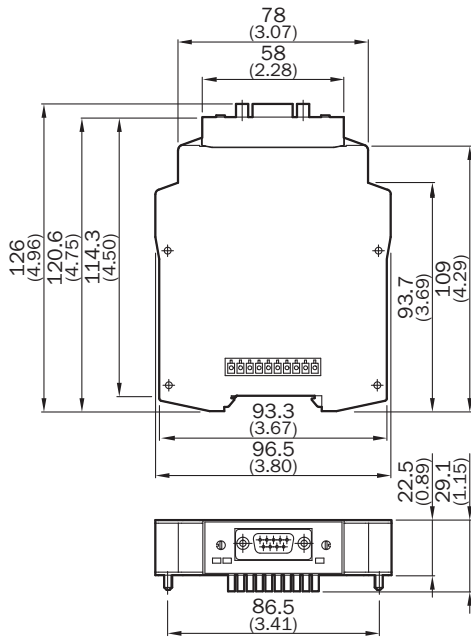
Certificates

| | |
|--|---|
| EU declaration of conformity | ✓ |
| UK declaration of conformity | ✓ |
| ACMA declaration of conformity | ✓ |
| China RoHS | ✓ |
| cULus certificate | ✓ |
| KC Mark certificate | ✓ |
| S Mark certificate | ✓ |
| Information according to Art. 3 of Data Act (Regulation EU 2023/2854) | ✓ |

Classifications

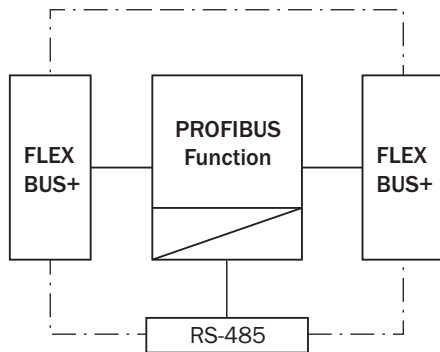
| | |
|-----------------------|----------|
| ECLASS 5.0 | 27243001 |
| ECLASS 5.1.4 | 27243101 |
| ECLASS 6.0 | 27243101 |
| ECLASS 6.2 | 27243101 |
| ECLASS 7.0 | 27243101 |
| ECLASS 8.0 | 27243101 |
| ECLASS 8.1 | 27243101 |
| ECLASS 9.0 | 27243101 |
| ECLASS 10.0 | 27243101 |
| ECLASS 11.0 | 27243101 |
| ECLASS 12.0 | 27243101 |
| ETIM 5.0 | EC001449 |
| ETIM 6.0 | EC001449 |
| ETIM 7.0 | EC001449 |
| ETIM 8.0 | EC001449 |
| UNSPSC 16.0901 | 32151705 |

Dimensional drawing FX0-GPRO





Dimensions in mm (inch)

Connection diagram



Recommended accessories

Other models and accessories → www.sick.com/Flexi_Soft

| | Brief description | Type | part no. |
|---|---|--------------|----------|
| Safety relays | | | |
|  | <ul style="list-style-type: none"> • Applications: Output expansion module for OSSDs • Compatible sensor types: Safety sensors with OSSDs • Connection type: Front connector with spring terminals • Restart interlock: no • External device monitoring (EDM): Via path • Outputs: 4 enabling current paths (safe), 1 feedback current path (for use as external device monitoring, not safe), 1 signaling current path (not safe) • Housing width: 28 mm | RLY3-OSSD400 | 1099971 |
|  | <ul style="list-style-type: none"> • Applications: Output expansion module for OSSDs • Compatible sensor types: Safety sensors with OSSDs • Connection type: Front connector with spring terminals • Restart interlock: no • External device monitoring (EDM): Via path • Outputs: 2 enabling current paths (safe), 1 feedback current path (for use as external device monitoring, not safe) • Housing width: 18 mm | RLY3-OSSD100 | 1085343 |

SICK AT A GLANCE

SICK is one of the leading manufacturers of intelligent sensors and sensor solutions for industrial applications. A unique range of products and services creates the perfect basis for controlling processes securely and efficiently, protecting individuals from accidents and preventing damage to the environment.

We have extensive experience in a wide range of industries and understand their processes and requirements. With intelligent sensors, we can deliver exactly what our customers need. In application centers in Europe, Asia and North America, system solutions are tested and optimized in accordance with customer specifications. All this makes us a reliable supplier and development partner.

Comprehensive services complete our offering: SICK LifeTime Services provide support throughout the machine life cycle and ensure safety and productivity.

For us, that is “Sensor Intelligence.”

WORLDWIDE PRESENCE:

Contacts and other locations –www.sick.com