

SICK.COM



DATA SHEET

PM3Z96-00240020

Mirror  
Reflectors and optics

**SICK** Sensor Intelligence

## REFLECTORS AND OPTICS

## PM3Z96-00240020

## ORDERING INFORMATION

Type	part no.
PM3Z96-00240020	1041917

Further device versions and accessories at [www.sick.com/Mirror](http://www.sick.com/Mirror)



## DETAILED TECHNICAL DATA

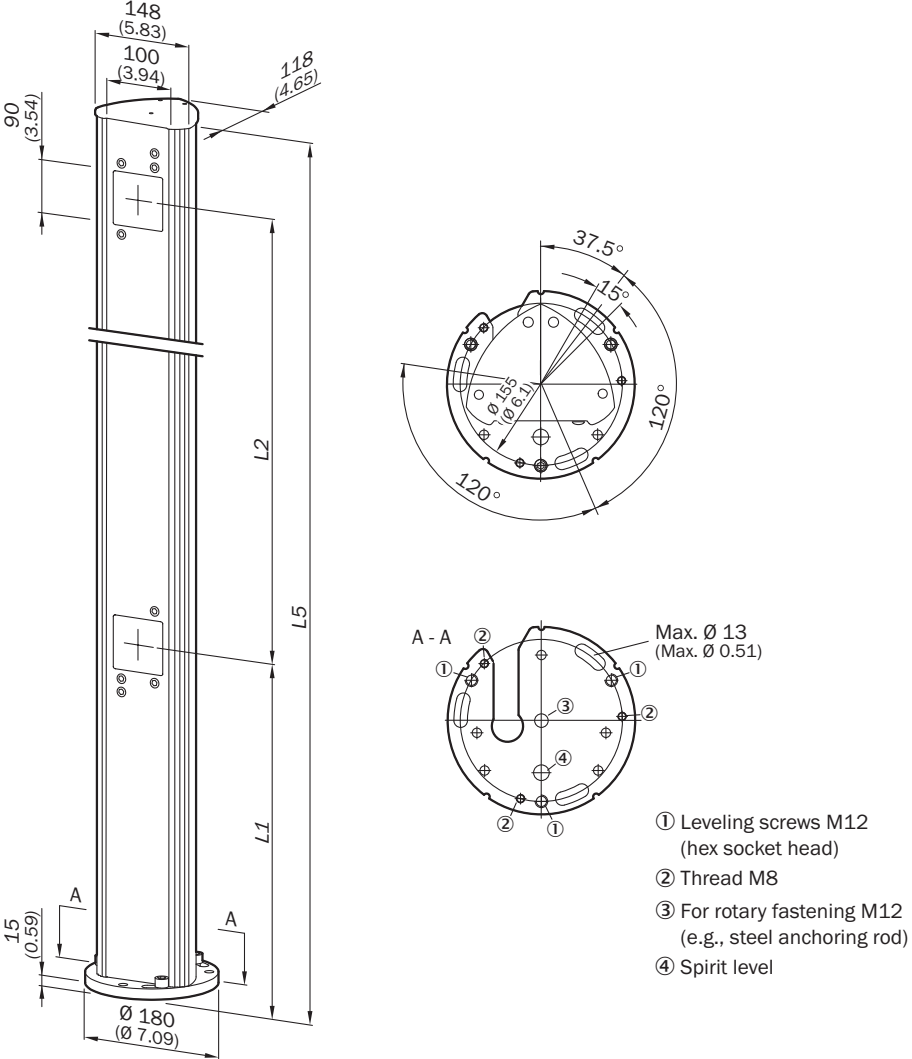
## FEATURES

Mounting system type	Mechanical anchoring to the floor
Mirror height	90 mm
Mirror width	100 mm
Suitable for	Safety multibeam sensors
Suitable for number of beams	2
Suitable for beam separation	500 mm
Type of diversion	Vertical

## MECHANICS

Dimensions	L1 400 mm
	L2 500 mm
	L5 985 mm
Weight	8,275 g

**DIMENSIONAL DRAWING VERTICAL DEFLECTION**



- ① Leveling screws M12 (hex socket head)
- ② Thread M8
- ③ For rotary fastening M12 (e.g., steel anchoring rod)
- ④ Spirit level

Dimensions in mm (inch)

	L1	L2	L5	
2	400	500	985	1041917

Further information as well as suitable accessories, example applications and downloads such as CAD dimensional models, operating instructions and software can be found at [www.sick.com/1041917](http://www.sick.com/1041917)



SICK AG  
WALDKIRCH  
GERMANY  
SICK.COM

# SICK AT A GLANCE

SICK is a leading global technology company for intelligent sensors and integrated solutions in industrial automation. Our technologies set benchmarks, making your industrial processes more efficient, safer and more sustainable – both in logistics and manufacturing operations.

SICK combines sensor intelligence with industry expertise and certified consulting services. We provide the ideal foundation for scalable as well as tailor-made automation solutions and create added value along the entire value chain. Our close partnerships with our customers are more than just a promise: Together, we optimize productivity, improve quality, protect health and safety, and help build a sustainable future. All with empathy and trust.

Since 1946, we have been developing innovative technologies with passion and a pioneering spirit. With a global network in around 40 countries, SICK has a global presence and is always close by. The company's headquarters are located in Waldkirch near Freiburg, Germany. Our customers benefit from our understanding of both local and global requirements, which enables us to deliver tailor-made solutions

**SICK**  
Sensor Intelligence