



PM3S13-00430040

Mirror

REFLECTORS AND OPTICS

SICK
Sensor Intelligence.



Ordering information

Type	part no.
PM3S13-00430040	1040626

Other models and accessories → www.sick.com/Mirror

Detailed technical data

Features

Mounting system type	Mechanical anchoring to the floor
Mirror height	90 mm
Mirror width	100 mm
Suitable for	Safety multibeam sensors
Suitable for number of beams	4
Suitable for beam separation	300 mm
Type of diversion	Horizontal

Mechanics

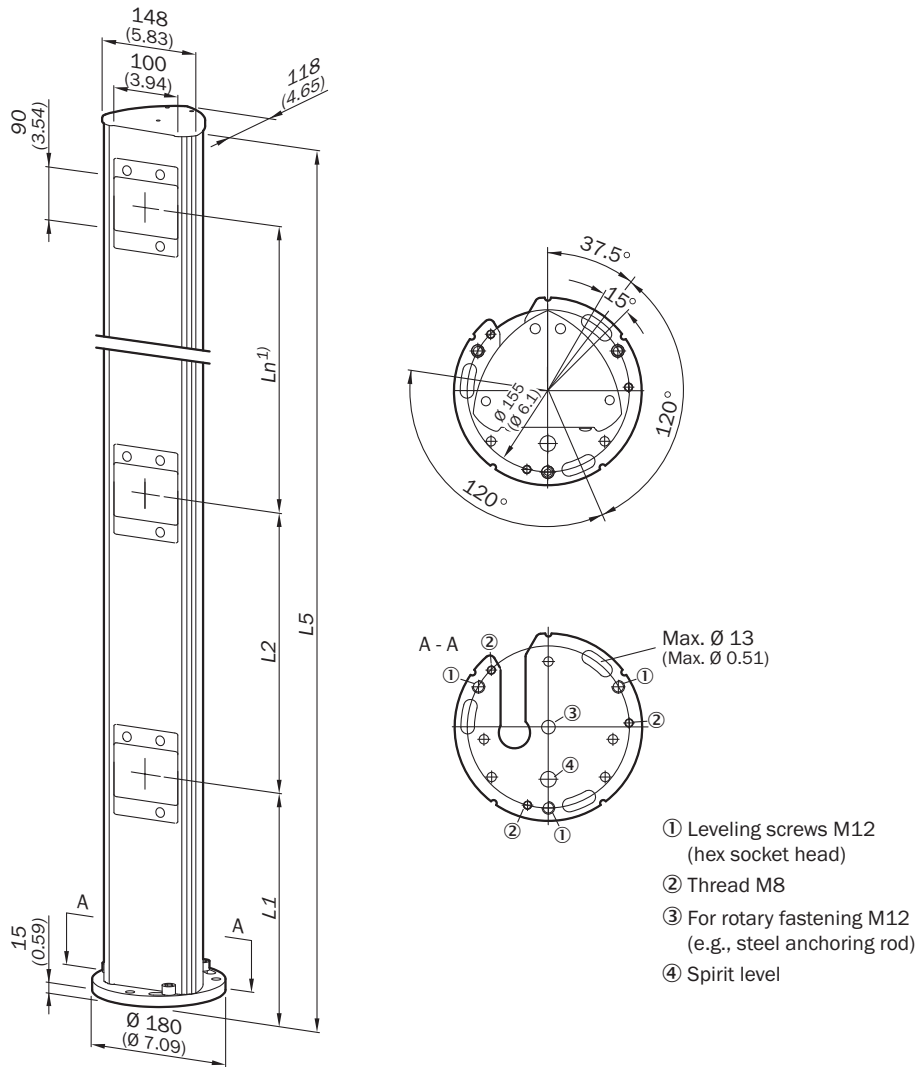
Dimensions	
	L1 300 mm
	L2 300 mm
	L3 300 mm
	L5 1,285 mm
Weight	+ 8,800 g

Classifications

ECLASS 5.0	27279207
ECLASS 5.1.4	27279207
ECLASS 6.0	27279207
ECLASS 6.2	27279207
ECLASS 7.0	27279207
ECLASS 8.0	27279207
ECLASS 8.1	27279207
ECLASS 9.0	27273605
ECLASS 10.0	27273605
ECLASS 11.0	27273605
ECLASS 12.0	27273605
ETIM 5.0	EC002467

ETIM 6.0	EC002467
ETIM 7.0	EC002467
ETIM 8.0	EC002467
UNSPSC 16.0901	39111609

Dimensional drawing PM3S mirror column for horizontal beam deflection. Note the reduced scanning range!



Dimensions in mm (inch)

1) L_n = Variant-dependent, depends on the number of individual mirrors

- ① leveling screws M12 (hex socket head)
- ② thread M8
- ③ for rotary fastening M12 (e.g., steel anchoring rod)
- ④ spirit level

Type	Part no.	Suitable for number of beams	Suitable for beam separation	L1 = Height of lowest beam from the floor	L2 = Beam separation	L3 = Beam separation	L4 = Beam separation	L5 = Column height (incl. base plate)
PM3S96-0024002	1040619	2	500	400 (15.75)	500 (19.69)	-	-	985 (38.78)

Type	Part no.	Suitable for number of beams	Suitable for beam separation	L1 = Height of lowest beam from the floor	L2 = Beam separation	L3 = Beam separation	L4 = Beam separation	L5 = Column height (incl. base plate)
PM3S96-0023006	1040620	2	600	300 (11.81)	600 (23.62)	-	-	985 (38.78)
PM3S11-0033003	1040625	3	400	300 (11.81)	400 (15.75)	400 (15.75)	-	1,185 (46.65)
PM3S13-0033005	1040624	3	450	300 (11.81)	450 (17.72)	450 (17.72)	-	1,285 (50.59)
PM3S13-0043004	1040626	4	300	300 (11.81)	300 (11.81)	300 (11.81)	300 (11.81)	1,285 (50.59)

SICK AT A GLANCE

SICK is one of the leading manufacturers of intelligent sensors and sensor solutions for industrial applications. A unique range of products and services creates the perfect basis for controlling processes securely and efficiently, protecting individuals from accidents and preventing damage to the environment.

We have extensive experience in a wide range of industries and understand their processes and requirements. With intelligent sensors, we can deliver exactly what our customers need. In application centers in Europe, Asia and North America, system solutions are tested and optimized in accordance with customer specifications. All this makes us a reliable supplier and development partner.

Comprehensive services complete our offering: SICK LifeTime Services provide support throughout the machine life cycle and ensure safety and productivity.

For us, that is “Sensor Intelligence.”

WORLDWIDE PRESENCE:

Contacts and other locations –www.sick.com