

SICK.COM



DATA SHEET

WSE4T-3E1430

W4
Photoelectric sensors

SICK Sensor Intelligence

PHOTOELECTRIC SENSORS

WSE4T-3E1430

ORDERING INFORMATION

Type	part no.
WSE4T-3E1430	1029648

Further device versions and accessories at www.sick.com/W4



Illustration may differ



DETAILED TECHNICAL DATA

FEATURES

Functional principle	Through-beam photoelectric sensor	
Sensing range max.	0 m ... 3 m	
Sensing range	0 m ... 2.5 m	
Emitted beam	Light source	PinPoint LED ¹⁾
	Type of light	Visible red light
	Light spot size (distance)	Ø 75 mm (2 m)
Key LED figures	Wave length	650 nm
	Adjustment	None
Special applications	Hygienic and washdown zones	
Part number of individual components	2040565 WS4T-3D1430 2040575 WSE4T-3.....	

¹⁾ Average service life: 100,000 h at T_u = +25 °C.

ELECTRONICS

Supply voltage U_B	10 V DC ... 30 V DC ¹⁾
Ripple	< 5 V _{pp} ²⁾
Current consumption	20 mA ³⁾
Protection class	III
Digital output	Type NPN Switching mode Dark switching Output current I_{max} ≤ 100 mA Response time < 0.5 ms ⁴⁾ Switching frequency 1,000 Hz ⁵⁾
Circuit protection	A ⁶⁾ C ⁷⁾ D ⁸⁾
Test input sender off	TE to 0 V

¹⁾ Limit values.²⁾ May not fall below or exceed U_V tolerances.³⁾ Sender.⁴⁾ Signal transit time with resistive load.⁵⁾ With light/dark ratio 1:1.⁶⁾ A = V_B connections reverse-polarity protected.⁷⁾ C = interference suppression.⁸⁾ D = outputs overcurrent and short-circuit protected.**MECHANICS**

Housing	Rectangular
Design detail	Flat
Dimensions (W x H x D)	22 mm x 42 mm x 21.8 mm
Connection	Cable, 3-wire, 5 m ¹⁾
Connection detail	Conductor size 0.14 mm ² Cable diameter Ø 3.4 mm Length of cable (L) 5 m ¹⁾
Material	Housing Metal, zinc diecast Plastic, PTFE coating Front screen Plastic, PMMA Cable Plastic, PVC/PTFE coating
Weight	30 g

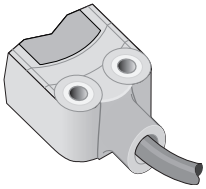
¹⁾ Do not bend below 0 °C.**AMBIENT DATA**

Enclosure rating	IP68 IP69K
Ambient operating temperature	-40 °C ... +60 °C
Ambient temperature, storage	-40 °C ... +75 °C
UL File No.	NRKH.E181493 & NRKH7.E181493

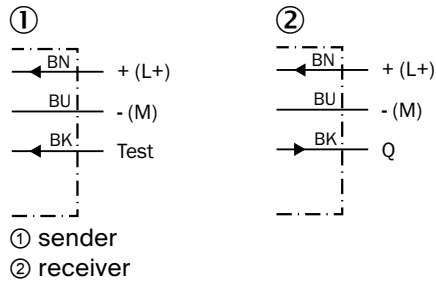
CERTIFICATES

EU declaration of conformity	✓
UK declaration of conformity	✓
ACMA declaration of conformity	✓
Moroccan declaration of conformity	✓
China RoHS	✓
ECOLAB certificate	✓
Photobiological safety (DIN EN 62471) certificate	✓

CONNECTION TYPE

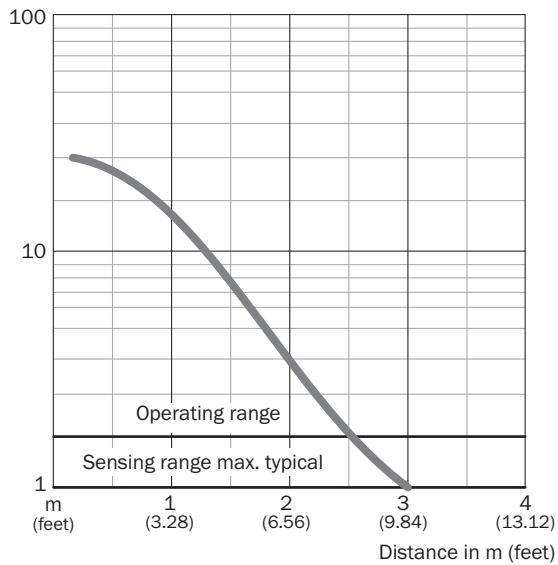


CONNECTION DIAGRAM CD-061

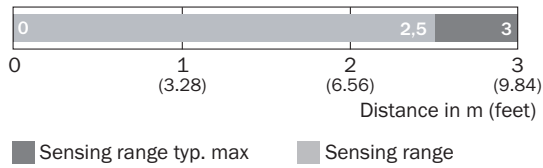


CHARACTERISTIC CURVE WSE4-3 PTFE

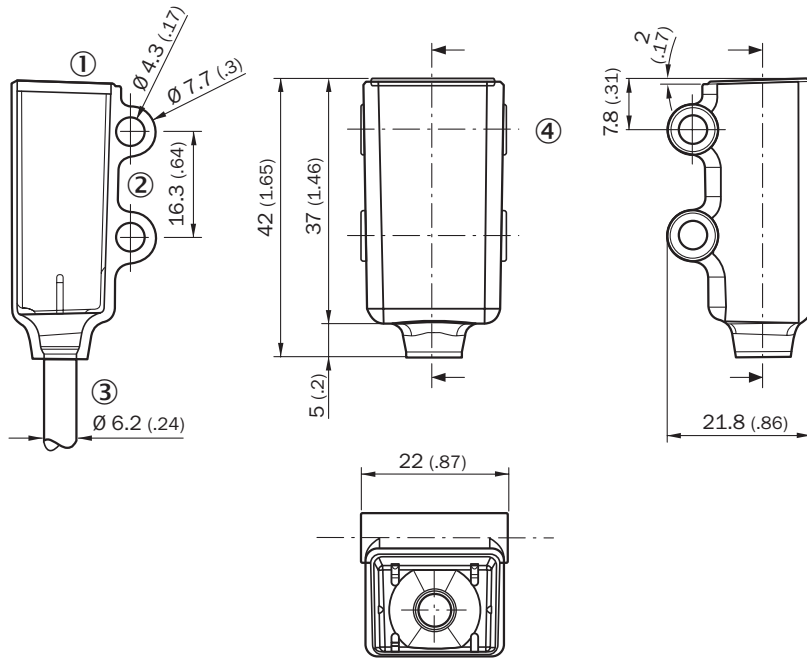
Operating reserve



SENSING RANGE DIAGRAM WSE4-3 PTFE



DIMENSIONAL DRAWING WX4-3, PTFE



Dimensions in mm (inch)

- ① LED signal
- ② Mounting hole, Ø 4.3 mm
- ③ cable 5 m, Ø 3.4 mm, 2 m Teflon coated Ø 6.2
- ④ Optical axis, receiver
- ⑤ Optical axis, sender

Further information as well as suitable accessories, example applications and downloads such as CAD dimensional models, operating instructions and software can be found at www.sick.com/1029648



SICK AG
WALDKIRCH
GERMANY
SICK.COM

SICK AT A GLANCE

SICK is a leading global technology company for intelligent sensors and integrated solutions in industrial automation. Our technologies set benchmarks, making your industrial processes more efficient, safer and more sustainable – both in logistics and manufacturing operations.

SICK combines sensor intelligence with industry expertise and certified consulting services. We provide the ideal foundation for scalable as well as tailor-made automation solutions and create added value along the entire value chain. Our close partnerships with our customers are more than just a promise: Together, we optimize productivity, improve quality, protect health and safety, and help build a sustainable future. All with empathy and trust.

Since 1946, we have been developing innovative technologies with passion and a pioneering spirit. With a global network in around 40 countries, SICK has a global presence and is always close by. The company's headquarters are located in Waldkirch near Freiburg, Germany. Our customers benefit from our understanding of both local and global requirements, which enables us to deliver tailor-made solutions

SICK
Sensor Intelligence