



REF-PLG270

Reflectors

REFLECTORS AND OPTICS

SICK
Sensor Intelligence.



Ordering information

Type	part no.
REF-PLG270	1029198

Other models and accessories → www.sick.com/Reflectors

Detailed technical data

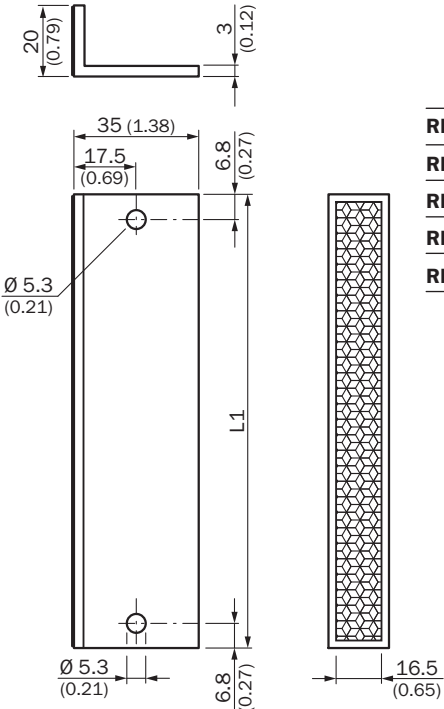
Features

Product segment	Reflectors and optics
Product	Reflectors
Product version	Standard reflectors
Description	Reflective tape on aluminium profile, 16.5 mm x 344.3 mm, 2 hole mounting
Special applications	For Pick-to-light (PLG)
Mounting system type	Screw-on
Ambient operating temperature	-25 °C ... +65 °C

Classifications

ECLASS 5.0	27279203
ECLASS 5.1.4	27279203
ECLASS 6.0	27279203
ECLASS 6.2	27279203
ECLASS 7.0	27279203
ECLASS 8.0	27279203
ECLASS 8.1	27279203
ECLASS 9.0	27273601
ECLASS 10.0	27273601
ECLASS 11.0	27273601
ECLASS 12.0	27273601
ETIM 5.0	EC002467
ETIM 6.0	EC002467
ETIM 7.0	EC002467
ETIM 8.0	EC002467
UNSPSC 16.0901	39111827

Dimensional drawing



Dimensions in mm (inch)

L1

REF-PLG120	194.3 (7.65)
REF-PLG210	274.3 (10.79)
REF-PLG270	344.3 (13.56)
REF-PLG360	424.3 (16.70)
REF-PLG420	494.3 (19.46)

SICK AT A GLANCE

SICK is one of the leading manufacturers of intelligent sensors and sensor solutions for industrial applications. A unique range of products and services creates the perfect basis for controlling processes securely and efficiently, protecting individuals from accidents and preventing damage to the environment.

We have extensive experience in a wide range of industries and understand their processes and requirements. With intelligent sensors, we can deliver exactly what our customers need. In application centers in Europe, Asia and North America, system solutions are tested and optimized in accordance with customer specifications. All this makes us a reliable supplier and development partner.

Comprehensive services complete our offering: SICK LifeTime Services provide support throughout the machine life cycle and ensure safety and productivity.

For us, that is “Sensor Intelligence.”

WORLDWIDE PRESENCE:

Contacts and other locations –www.sick.com