



LFR-ACTTCAMHKAX

LFR SicWave

LEVEL SENSORS

SICK
Sensor Intelligence.



Ordering information

Type	part no.
LFR-ACTTCAMHKAX	6072200

Other models and accessories → www.sick.com/LFR_SicWave

Illustration may differ



Detailed technical data

Features

Medium	Fluids
Measurement	Continuous
Probe type	Thread with integrated horn antenna made from PEEK
Frequency band	W-band (within 75 ... 85 GHz)
Measuring range	Up to 20 m (65.62 ft)
Angle of dispersion	7° ¹⁾
Process pressure	-1 bar ... 20 bar (-100 kPa ... 2,000 kPa / -14.5 psig ... 290.1 psig)
Process temperature	-40 °C ... +130 °C
ATEX approval	ATEX II 1G, 1/2G, 2G Ex ia IIC T6
Type examination	KIWA 20ATEX0039 X
RoHS certificate	✓
HART	✓
Display	Installed
Control element	Pushbutton operation

¹⁾ Outside the specified aperture angle, the level of the radar signal energy is lowered by 50% (-3 dB).

Performance

Accuracy of sensor element	≤ 1 mm ¹⁾
Non-repeatability	≤ 1 mm
Digital measurement resolution	< 1 mm
Analog measurement resolution	0.3 µA
Digital output temperature drift	≤ 3 mm / 10 K, max. 10 mm
Current output temperature drift	≤ 0.03% / 10 K relating to the 16 mA span or ≤ 0.3%

¹⁾ Measurement distance > 0.25 m / 0.8202 ft.

²⁾ Time span after abrupt change to the measurement distance by max. 2 m for bulk material applications until the output signal has assumed 90% of its steady-state value for the first time (IEC 61298-2).

Deviation on current output due to digital-analog conversion	< 15 µA
Measurement cycle time	Approx. 700 ms
Step response time	≤ 3 s ²⁾
MTBF	3,37*10 ⁶ h
Display	✓

¹⁾ Measurement distance > 0.25 m / 0.8202 ft.

²⁾ Time span after abrupt change to the measurement distance by max. 2 m for bulk material applications until the output signal has assumed 90% of its steady-state value for the first time (IEC 61298-2).

Electronics

Communication interface	HART
Supply voltage	12 V DC ... 35 V DC, 18 V DC ... 35 V DC with illumination switched on ¹⁾
Protection class	III (IEC 61010-1)
Connection type	M20 x 1.5 / cable gland PA black (ø 5 mm - 9 mm)
Output signal	4 mA ... 20 mA / HART ²⁾
Contamination rating	4
Enclosure rating	IP67 / IP67
EMC	EN 61326-1
Start-up current	< 3.6 mA
Overvoltage category	III (IEC 61010-1)
Short-circuit protection	✓

¹⁾ All connections are polarity protected. All outputs are overload and short-circuit protected.

²⁾ Range of the output signal: 3.8 mA ... 20.5 mA / HART (factory setting); fault current < 3.6 mA or 22 mA.

Mechanics

Process connection	Thread G 1 ½ PN20, DIN3852-A / 316L
Housing material	Plastic
Housing design	Single-chamber housing
Sealing material	FKM (SHS FPM 70C3 GLT)
Antenna material	PEEK
Second line of defense	Not integrated

Ambient data

Ambient operating temperature	-40 °C ... +80 °C
Ambient temperature, storage	-40 °C ... +80 °C

Certificates

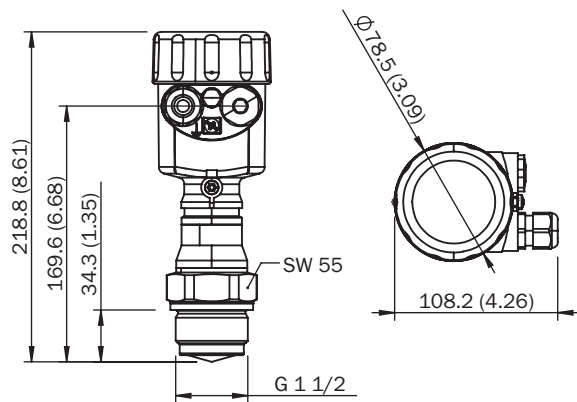
EU declaration of conformity	✓
UK declaration of conformity	✓
ACMA declaration of conformity	✓
China RoHS	✓
FDA certificate	✓
ATEX certificate	✓
cCSAus certificate	✓

Food contact material manufacturer declaration	✓
---	---

Classifications

ECLASS 5.0	27200505
ECLASS 5.1.4	27200505
ECLASS 6.0	27200505
ECLASS 6.2	27200505
ECLASS 7.0	27200505
ECLASS 8.0	27200505
ECLASS 8.1	27200505
ECLASS 9.0	27200505
ECLASS 10.0	27270807
ECLASS 11.0	27270807
ECLASS 12.0	27274501
ETIM 5.0	EC001447
ETIM 6.0	EC001447
ETIM 7.0	EC001447
ETIM 8.0	EC001447
UNSPSC 16.0901	41111950

Unit: mm (inch), decimal separator: period



Dimensions in mm (inch)
LFR-xxTTCAMHKAX

SICK AT A GLANCE

SICK is one of the leading manufacturers of intelligent sensors and sensor solutions for industrial applications. A unique range of products and services creates the perfect basis for controlling processes securely and efficiently, protecting individuals from accidents and preventing damage to the environment.

We have extensive experience in a wide range of industries and understand their processes and requirements. With intelligent sensors, we can deliver exactly what our customers need. In application centers in Europe, Asia and North America, system solutions are tested and optimized in accordance with customer specifications. All this makes us a reliable supplier and development partner.

Comprehensive services complete our offering: SICK LifeTime Services provide support throughout the machine life cycle and ensure safety and productivity.

For us, that is “Sensor Intelligence.”

WORLDWIDE PRESENCE:

Contacts and other locations –www.sick.com