



I2D603M-2MCB71

midiCam2

2D MACHINE VISION

SICK
Sensor Intelligence.



Ordering information

Type	part no.
I2D603M-2MCB71	6071829

Other models and accessories → www.sick.com/midiCam2



Detailed technical data

Features

Technology	2D snapshot
Streaming	✓
Image sensor	CMOS monochrome
Sensor used	Sony IMX265
Shutter technology	Global-Shutter
Illumination	To be ordered separately as accessories
Further functions	Line mode, area of interest, long exposure
Lens	C-mount
Optical format	1/1.8"
Note	To be ordered separately as accessories
Task	Measuring - Dimension, contour and volume Monitoring and controlling - Quality Identifying - Pattern Identifying - Classifying Identifying - Sorting

Mechanics/electronics

Connection type	M12, 8-pin male connector, A-coded (2 GPIOs, 1 digital input, 1 digital output)
Supply voltage	12 V ... 24 V ¹⁾
Power consumption	≤ 2.9 W
Enclosure rating	IP65 IP67
Weight	52 g
Dimensions (L x W x H)	42.7 mm x 53 mm x 41 mm

¹⁾ Or PoE.

Performance

Bit depth	12 bit
Sensor properties	
Sensor resolution	2,048 px x 1,536 px (3.15 MP)

	Pixel size	3.45 µm x 3.45 µm
	Sensor size	7.066 mm x 5.3 mm
Scan/frame rate		39 fps, in freerun mode
Memory		128 MB
Exposure time		0.032 ms ... 2,000 ms

Interfaces

Ethernet		✓ , UDP/IP
	Remark	GigE Vision Standard
	Data transmission rate	1,000 Mbit/s
Configuration software		SICK Vision Suite

Ambient data

Shock load	80 g, EN 60068-2-27 (1995-03), EN 60068-2-29 (1995-03)
Vibration load	10 g, 30 Hz ... 500 Hz, EN 60068-2-6 (1996-05)
Ambient operating temperature	0 °C ... +55 °C ¹⁾
Storage temperature	-20 °C ... +60 °C ¹⁾

¹⁾ Relative humidity: 0% ... 100%.

General notes

Note	Not free of paint wetting impairment substances.
-------------	--

Certificates

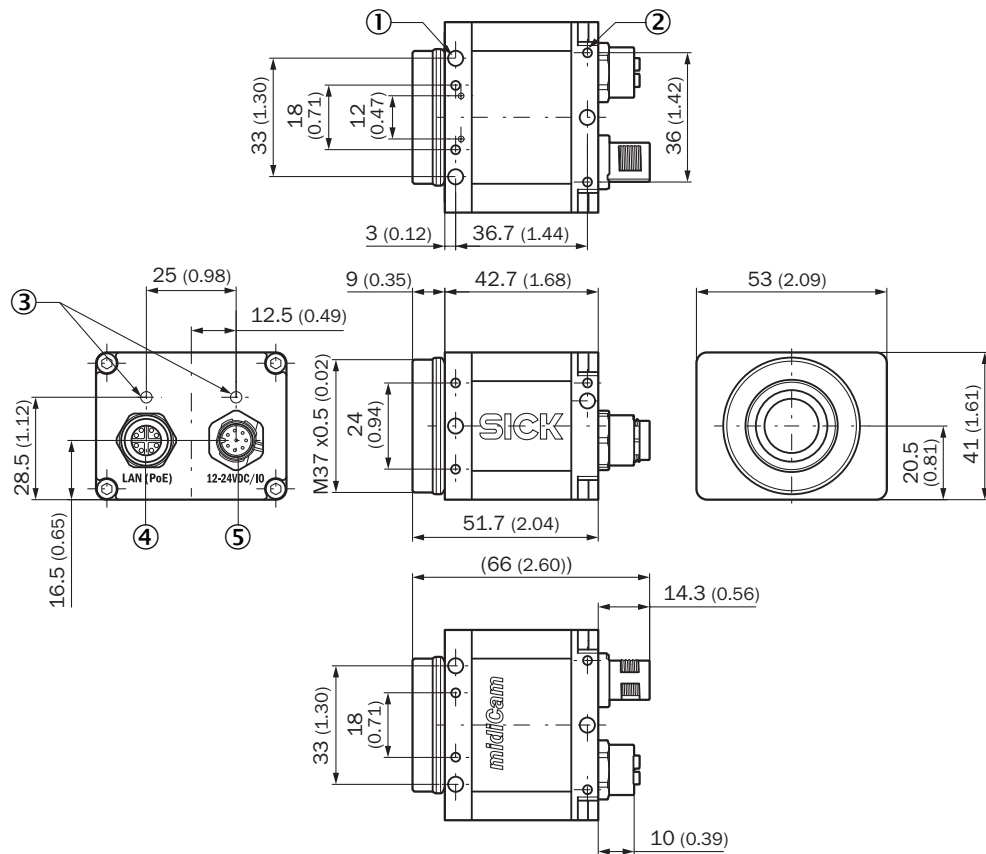
EU declaration of conformity	✓
UK declaration of conformity	✓
ACMA declaration of conformity	✓
China RoHS	✓
Information according to Art. 3 of Data Act (Regulation EU 2023/2854)	✓
GigE Vision	✓

Classifications

ECLASS 5.0	27310205
ECLASS 5.1.4	27310205
ECLASS 6.0	27310205
ECLASS 6.2	27310205
ECLASS 7.0	27310205
ECLASS 8.0	27310205
ECLASS 8.1	27310205
ECLASS 9.0	27310205
ECLASS 10.0	27310205
ECLASS 11.0	27310205
ECLASS 12.0	27310205
ETIM 5.0	EC001820

ETIM 6.0	EC001820
ETIM 7.0	EC001820
ETIM 8.0	EC001820
UNSPSC 16.0901	43211731

Dimensional drawing

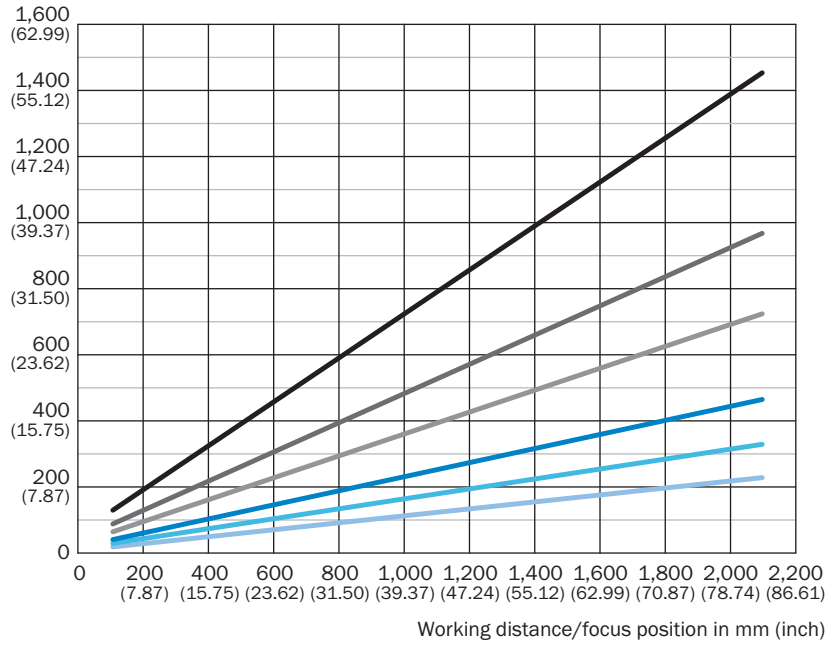


Dimensions in mm (inch)

- ① M5 blind tapped holes, 6 mm deep (10 x), for mounting
- ② blind hole thread M3, 5 mm deep (14 x), for mounting
- ③ LED for status display (2 x)
- ④ M12, 8-pin socket, X-coded (Gigabit Ethernet)
- ⑤ I/O power connection, male connector, M12, 8-pin, A coded, Binder

Field of view

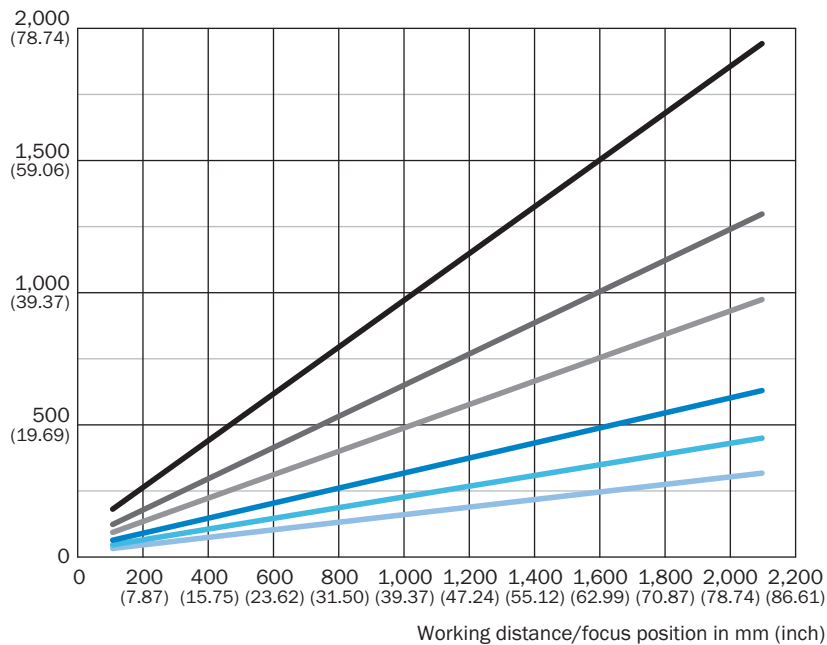
Field of view y in mm (inch)



- f = 8 mm
- f = 12 mm
- f = 16 mm
- f = 25 mm
- f = 35 mm
- f = 50 mm

Field of view




Field of view x in mm (inch)



- f = 8 mm
- f = 25 mm
- f = 12 mm
- f = 35 mm
- f = 16 mm
- f = 50 mm

Recommended accessories

Other models and accessories → www.sick.com/midiCam2

	Brief description	Type	part no.
connectors and cables			
	<ul style="list-style-type: none"> Description: Shielded Connection type head A: Male connector, M12, 5-pin, A-coded Connection type head B: Female connector, M12, 8-pin, A-coded Cable: 1 m Application: Untaminated zones, Zones with oils and lubricants, Robot, Drag chain operation 	YM2AA5-010UB6F2A28	2087091
	<ul style="list-style-type: none"> Description: Shielded Connection type head A: Male connector, M12, 5-pin, A-coded Connection type head B: Female connector, M12, 8-pin, A-coded Cable: 3 m Application: Untaminated zones, Zones with oils and lubricants, Robot, Drag chain operation 	YM2AA5-030UB6F2A28	2087092
	<ul style="list-style-type: none"> Description: Shielded Connection type head A: Male connector, M12, 5-pin, A-coded Connection type head B: Female connector, M12, 8-pin, A-coded Cable: 5 m Application: Untaminated zones, Zones with oils and lubricants, Robot, Drag chain operation 	YM2AA5-050UB6F2A28	2087093

SICK AT A GLANCE

SICK is one of the leading manufacturers of intelligent sensors and sensor solutions for industrial applications. A unique range of products and services creates the perfect basis for controlling processes securely and efficiently, protecting individuals from accidents and preventing damage to the environment.

We have extensive experience in a wide range of industries and understand their processes and requirements. With intelligent sensors, we can deliver exactly what our customers need. In application centers in Europe, Asia and North America, system solutions are tested and optimized in accordance with customer specifications. All this makes us a reliable supplier and development partner.

Comprehensive services complete our offering: SICK LifeTime Services provide support throughout the machine life cycle and ensure safety and productivity.

For us, that is “Sensor Intelligence.”

WORLDWIDE PRESENCE:

Contacts and other locations –www.sick.com