



# I2D301M-2RCA11

picoCam2

2D MACHINE VISION

**SICK**  
Sensor Intelligence.



### Ordering information

Type	part no.
I2D301M-2RCA11	6071820

Other models and accessories → [www.sick.com/picoCam2](http://www.sick.com/picoCam2)



### Detailed technical data

#### Features

<b>Technology</b>	2D snapshot
<b>Streaming</b>	✓
<b>Image sensor</b>	CMOS monochrome
<b>Sensor used</b>	Sony IMX273
<b>Shutter technology</b>	Global-Shutter
<b>Illumination</b>	To be ordered separately as accessories
<b>Further functions</b>	Line mode, region of interest, long exposure
<b>Lens</b>	C-mount
	Optical format
	1/3"
	Note
	To be ordered separately as accessories
<b>Task</b>	Measuring - Dimension, contour and volume Monitoring and controlling - Quality Identifying - Pattern Identifying - Classifying Identifying - Sorting

#### Mechanics/electronics

<b>Connection type</b>	8-pin Hirose male connector
<b>Supply voltage</b>	12 V ... 24 V <sup>1)</sup>
<b>Power consumption</b>	≤ 3.1 W
<b>Enclosure rating</b>	IP30
<b>Weight</b>	51 g
<b>Dimensions (L x W x H)</b>	29 mm x 29 mm x 29 mm

<sup>1)</sup> Or PoE.

#### Performance

<b>Bit depth</b>	12 bit
<b>Sensor properties</b>	

	Sensor resolution	1,456 px x 1,088 px (1.58 MP)
	Pixel size	3.45 µm x 3.45 µm
	Sensor size	5.023 mm x 3.754 mm
<b>Scan/frame rate</b>		79 fps, in freerun mode
<b>Memory</b>		128 MB
<b>Exposure time</b>		0.025 ms ... 2,000 ms

## Interfaces

<b>Ethernet</b>		✓ , UDP/IP
	Remark	GigE Vision Standard
	Data transmission rate	1,000 Mbit/s
<b>Configuration software</b>		SICK Vision Suite

## Ambient data

<b>Shock load</b>	80 g, EN 60068-2-27 (1995-03), EN 60068-2-29 (1995-03)
<b>Vibration load</b>	10 g, 30 Hz ... 500 Hz, EN 60068-2-6 (1996-05)
<b>Ambient operating temperature</b>	0 °C ... +55 °C <sup>1)</sup>
<b>Storage temperature</b>	-20 °C ... +60 °C <sup>1)</sup>

<sup>1)</sup> Relative humidity: 0% ... 100%.

## General notes

<b>Note</b>	Not free of paint wetting impairment substances.
-------------	--

## Certificates

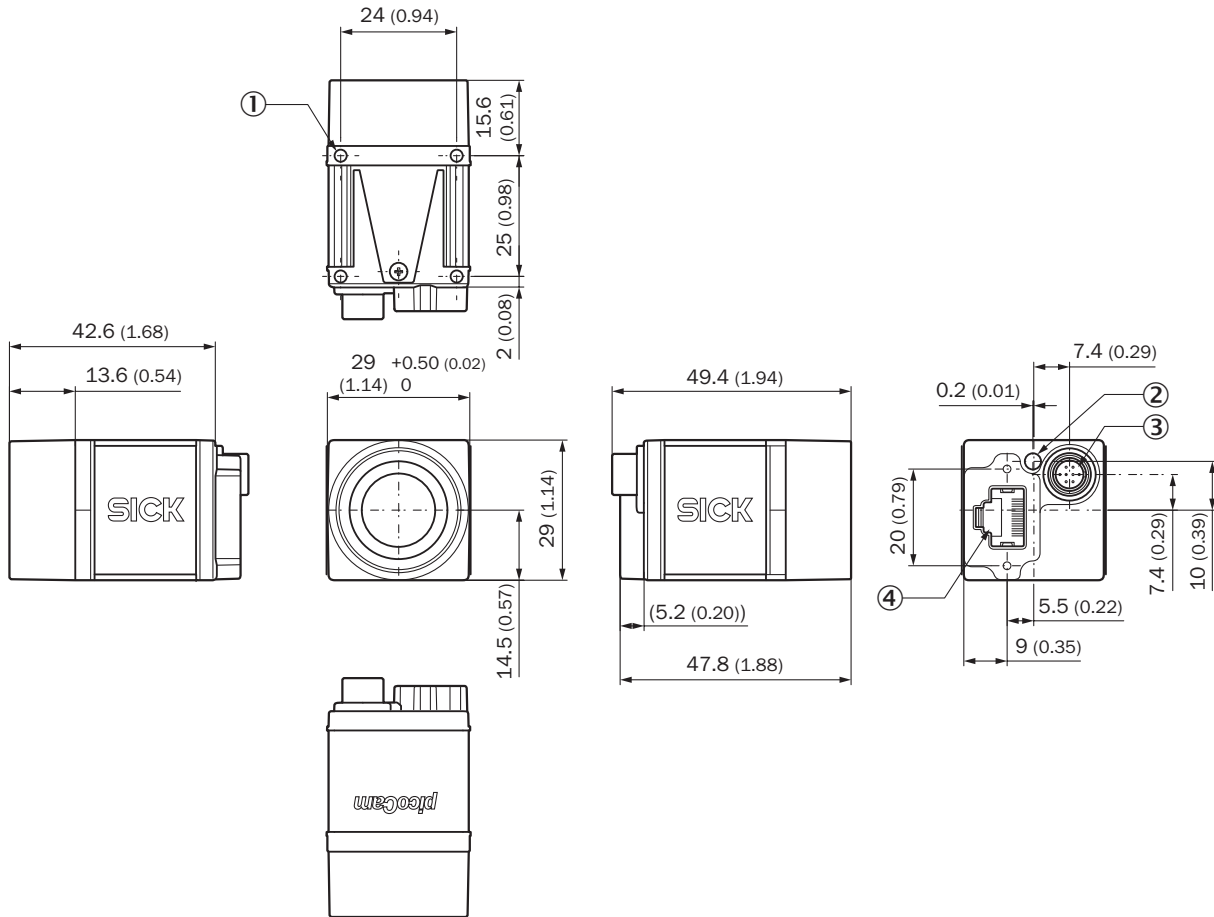
<b>EU declaration of conformity</b>	✓
<b>UK declaration of conformity</b>	✓
<b>ACMA declaration of conformity</b>	✓
<b>China RoHS</b>	✓
<b>Information according to Art. 3 of Data Act (Regulation EU 2023/2854)</b>	✓
<b>GigE Vision</b>	✓

## Classifications

<b>ECLASS 5.0</b>	27310205
<b>ECLASS 5.1.4</b>	27310205
<b>ECLASS 6.0</b>	27310205
<b>ECLASS 6.2</b>	27310205
<b>ECLASS 7.0</b>	27310205
<b>ECLASS 8.0</b>	27310205
<b>ECLASS 8.1</b>	27310205
<b>ECLASS 9.0</b>	27310205
<b>ECLASS 10.0</b>	27310205
<b>ECLASS 11.0</b>	27310205
<b>ECLASS 12.0</b>	27310205

<b>ETIM 5.0</b>	EC001820
<b>ETIM 6.0</b>	EC001820
<b>ETIM 7.0</b>	EC001820
<b>ETIM 8.0</b>	EC001820
<b>UNSPSC 16.0901</b>	43211731

### Dimensional drawing

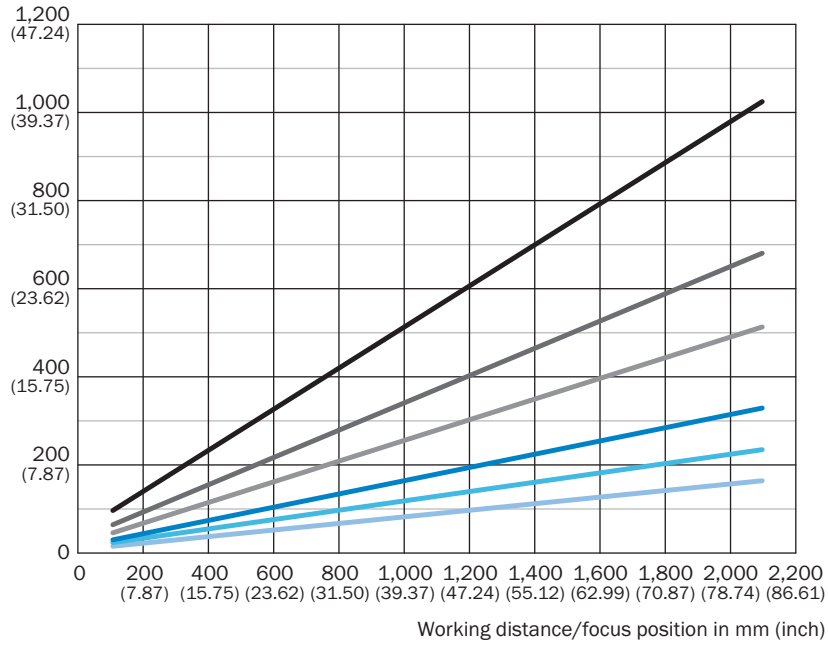


Dimensions in mm (inch)

- ① blind hole thread M3, 3 mm deep (4 x), for mounting
- ② LED for status display
- ③ Power I/O connection, male connector, 8-pin, Hirose HR25
- ④ Gigabit Ethernet port, RJ45, 8-pin

### Field of view

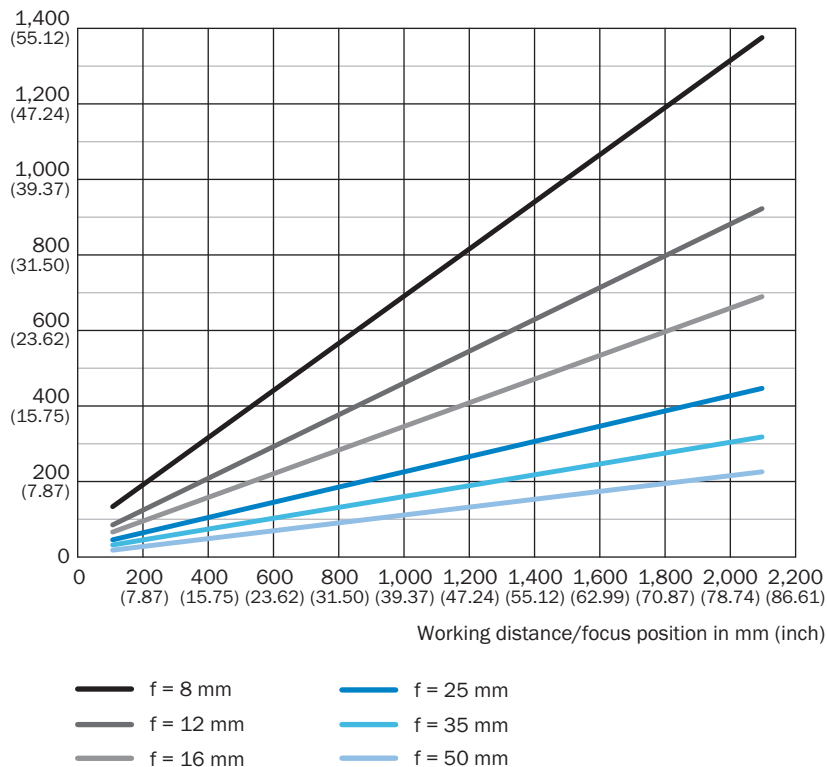
Field of view y in mm (inch)



- f = 8 mm
- f = 12 mm
- f = 16 mm
- f = 25 mm
- f = 35 mm
- f = 50 mm




### Field of view

Field of view x in mm (inch)



### Recommended accessories

Other models and accessories → [www.sick.com/picoCam2](http://www.sick.com/picoCam2)

	Brief description	Type	part no.
connectors and cables			
	<ul style="list-style-type: none"> <li><b>Description:</b> Power, shielded, Digital I/Os</li> <li><b>Connection type head A:</b> Male connector, M12, 5-pin, A-coded</li> <li><b>Connection type head B:</b> Female connector, Hirose HR25, 8-pin</li> <li><b>Signal type:</b> Power, digital I/Os</li> <li><b>Cable:</b> 1 m, PVC</li> </ul>	YM2Z15-010XXXFHRS8	2110626
	<ul style="list-style-type: none"> <li><b>Description:</b> Power, shielded, Digital I/Os</li> <li><b>Connection type head A:</b> Male connector, M12, 5-pin, A-coded</li> <li><b>Connection type head B:</b> Female connector, Hirose HR25, 8-pin</li> <li><b>Signal type:</b> Power, digital I/Os</li> <li><b>Cable:</b> 3 m, PVC</li> </ul>	YM2Z15-030XXXFHRS8	2110811
	<ul style="list-style-type: none"> <li><b>Description:</b> Power, shielded, Digital I/Os</li> <li><b>Connection type head A:</b> Male connector, M12, 5-pin, A-coded</li> <li><b>Connection type head B:</b> Female connector, Hirose HR25, 8-pin</li> <li><b>Signal type:</b> Power, digital I/Os</li> <li><b>Cable:</b> 5 m, PVC</li> </ul>	YM2Z15-050XXXFHRS8	2110812

## SICK AT A GLANCE

SICK is one of the leading manufacturers of intelligent sensors and sensor solutions for industrial applications. A unique range of products and services creates the perfect basis for controlling processes securely and efficiently, protecting individuals from accidents and preventing damage to the environment.

We have extensive experience in a wide range of industries and understand their processes and requirements. With intelligent sensors, we can deliver exactly what our customers need. In application centers in Europe, Asia and North America, system solutions are tested and optimized in accordance with customer specifications. All this makes us a reliable supplier and development partner.

Comprehensive services complete our offering: SICK LifeTime Services provide support throughout the machine life cycle and ensure safety and productivity.

For us, that is “Sensor Intelligence.”

## WORLDWIDE PRESENCE:

Contacts and other locations –[www.sick.com](http://www.sick.com)