

DSC-1208-G02MA

Other connectors and cables

CONNECTORS AND CABLES

SICK
Sensor Intelligence.



Ordering information

Type	part no.
DSC-1208-G02MA	6064004

Other models and accessories → www.sick.com/Other_connectors_and_cables

Detailed technical data

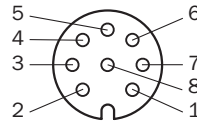
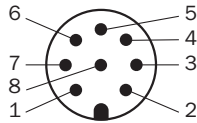
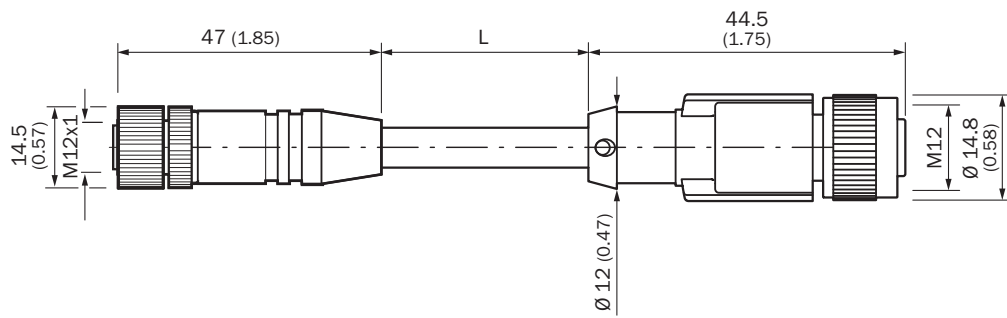
Technical specifications

Connection type head A	Female connector, M12, 8-pin, straight
Connection type head B	Male connector, M12, 8-pin, straight
Cable	2 m, PUR
Jacket material	PUR
Jacket color	Water blue (RAL 5021)
Enclosure rating	IP65 / IP67

Classifications

ECLASS 5.0	19030312
ECLASS 5.1.4	19030312
ECLASS 6.0	27060304
ECLASS 6.2	27060304
ECLASS 7.0	27060304
ECLASS 8.0	27060304
ECLASS 8.1	27060304
ECLASS 9.0	27060304
ECLASS 10.0	27060304
ECLASS 11.0	27060304
ECLASS 12.0	27060304
ETIM 5.0	EC000830
ETIM 6.0	EC000830
ETIM 7.0	EC003249
ETIM 8.0	EC003249
UNSPSC 16.0901	26121604

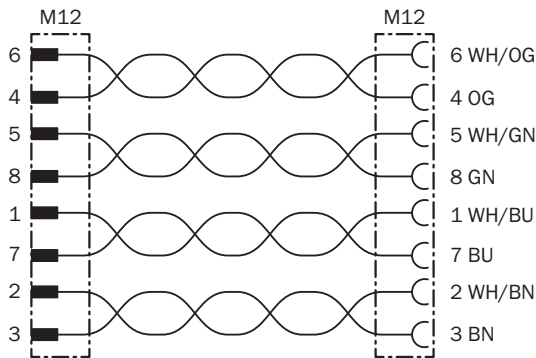
Dimensional drawing



Dimensions in mm (inch)

- ① White/blue
- ② white/brown
- ③ Brown
- ④ Orange
- ⑤ white/green
- ⑥ white/orange
- ⑦ blue
- ⑧ Green

Connection diagram



- ① White/blue
- ② white/brown
- ③ Brown
- ④ Orange
- ⑤ white/green
- ⑥ white/orange
- ⑦ blue
- ⑧ Green

SICK AT A GLANCE

SICK is one of the leading manufacturers of intelligent sensors and sensor solutions for industrial applications. A unique range of products and services creates the perfect basis for controlling processes securely and efficiently, protecting individuals from accidents and preventing damage to the environment.

We have extensive experience in a wide range of industries and understand their processes and requirements. With intelligent sensors, we can deliver exactly what our customers need. In application centers in Europe, Asia and North America, system solutions are tested and optimized in accordance with customer specifications. All this makes us a reliable supplier and development partner.

Comprehensive services complete our offering: SICK LifeTime Services provide support throughout the machine life cycle and ensure safety and productivity.

For us, that is “Sensor Intelligence.”

WORLDWIDE PRESENCE:

Contacts and other locations –www.sick.com