



I2D601C-MCB71

midiCam

2D MACHINE VISION

SICK
Sensor Intelligence.



Ordering information

Type	part no.
I2D601C-MCB71	6060400

Other models and accessories → www.sick.com/midiCam

Detailed technical data

Features

Technology	2D snapshot
Product category	Streaming, flexible
Sensor	CMOS Color
Sensor used	e2V EV76C560ACT
Shutter technology	Global-Shutter Rolling-Shutter Global-Start-Shutter
Illumination	To be ordered separately as accessories
Further functions	Scaler, Sequencer, log mode, Hot pixel correction on the sensor, Fine illumination grid, Multi area of interest, Binning
Lens	C-mount
Optical format	1/1.8"
Note	To be ordered separately as accessories

Mechanics/electronics

Connection type	M12, 8-pin male connector, A-coded (2 GPIOs, 1 digital input, 1 digital output)
Supply voltage	12 V ... 24 V ¹⁾
Power consumption	≤ 2.9 W
Enclosure rating	IP65 IP67 ²⁾
Weight	175 g
Dimensions (L x W x H)	44.7 mm x 53 mm x 41 mm

¹⁾ Or PoE.

²⁾ When using a optics protection hood and an M12 connection cap for the connection not in use.

Performance

Bit depth	12 bit
Sensor resolution	1,280 px x 1,024 px (1.31 Mpixel, 5:4, SXGA)
Sensor size	6.784 mm x 5.427 mm
Scan/frame rate	50 fps, in freerun mode 48 fps, in trigger mode
Memory	60 MB
Exposure time	0.009 ms ... 2,000 ms

Pixel size	5.3 µm
-------------------	--------

Interfaces

Ethernet	✓ , UDP/IP
Data transmission rate	1,000 Mbit/s
Configuration software	I2D Software Suite

Ambient data

Shock load	80 g, EN 60068-2-27 (1995-03), EN 60068-2-29 (1995-03)
Vibration load	10 g, 30 Hz ... 500 Hz, EN 60068-2-6 (1996-05)
Ambient operating temperature	0 °C ... +40 °C ¹⁾
Storage temperature	-20 °C ... +60 °C ¹⁾

¹⁾ Relative humidity: 0% ... 100%.

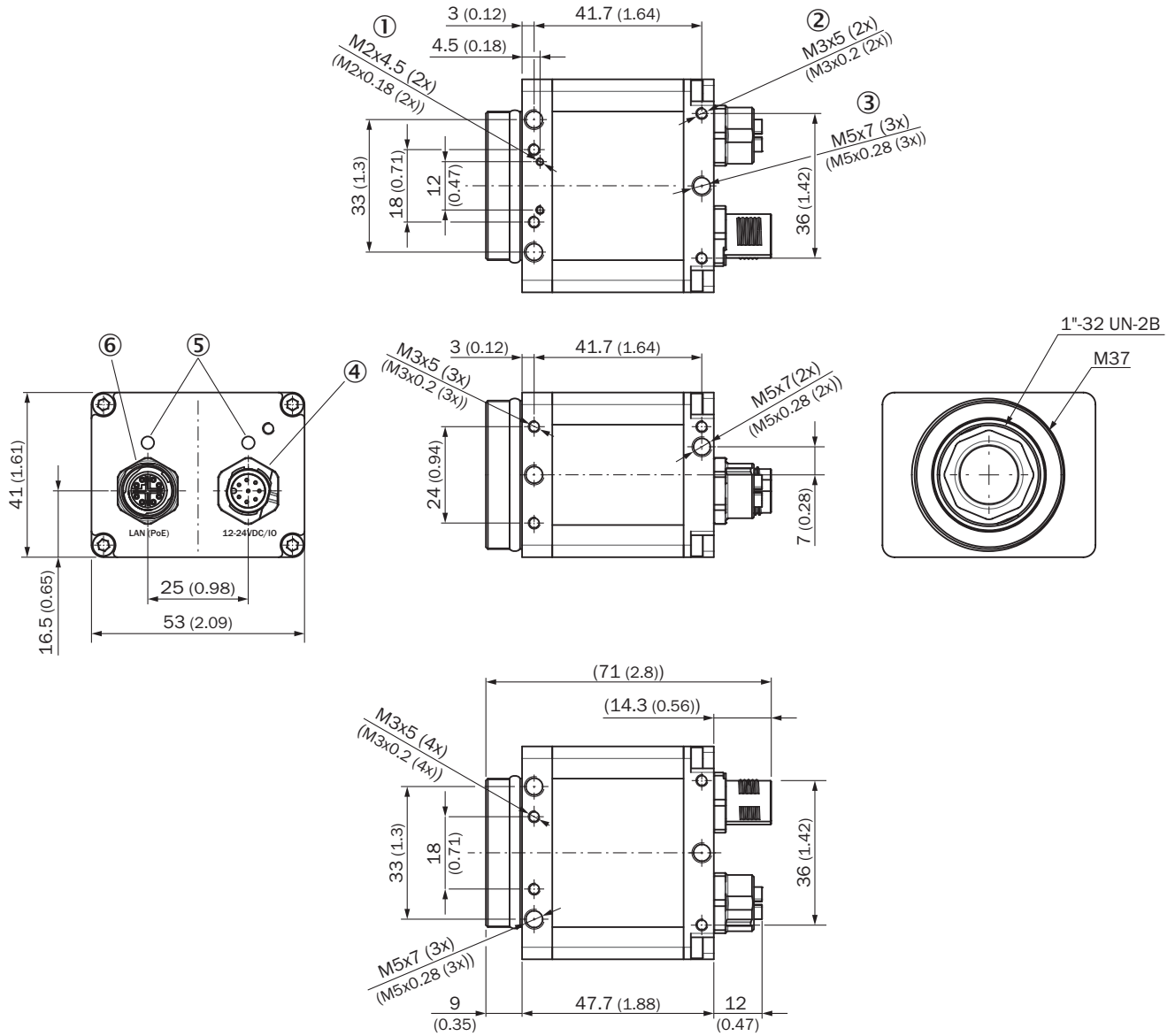
General notes

Note	Not free of paint wetting impairment substances.
-------------	--

Classifications

ECLASS 5.0	27310205
ECLASS 5.1.4	27310205
ECLASS 6.0	27310205
ECLASS 6.2	27310205
ECLASS 7.0	27310205
ECLASS 8.0	27310205
ECLASS 8.1	27310205
ECLASS 9.0	27310205
ECLASS 10.0	27310205
ECLASS 11.0	27310205
ECLASS 12.0	27310205
ETIM 5.0	EC001820
ETIM 6.0	EC001820
ETIM 7.0	EC001820
ETIM 8.0	EC001820
UNSPSC 16.0901	43211731

Dimensional drawing

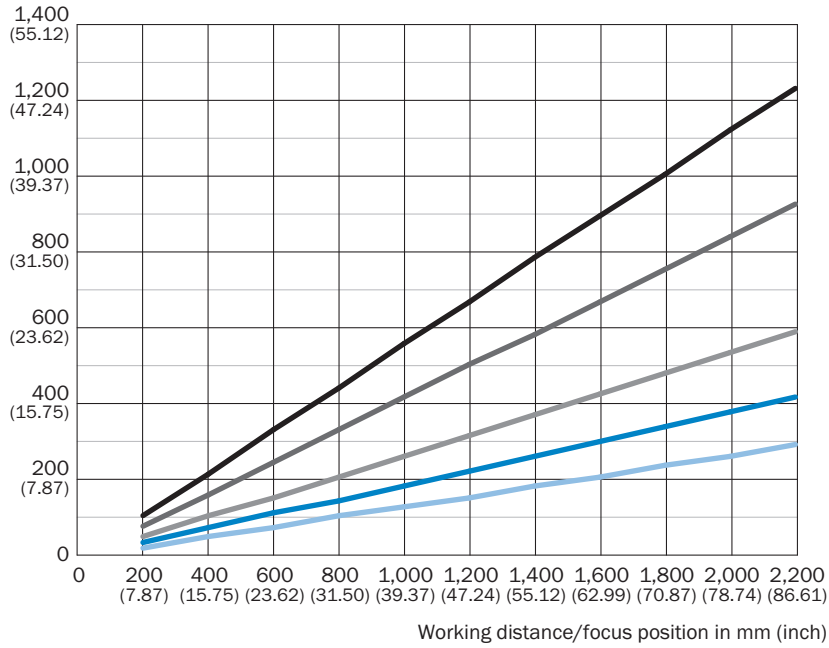


Dimensions in mm (inch)

- ① blind hole thread M2, 4.5 mm deep (2 x)
- ② blind hole thread M3, 5 mm deep (14 x), for mounting
- ③ M6 blind tapped holes, 7 mm deep (10 x), for mounting
- ④ I/O power connection, male connector, M12, 8-pin, A coded, Binder
- ⑤ LED for status display (2 x)
- ⑥ M12, 8-pin female connector, X-coded (Gigabit Ethernet)

Field of view

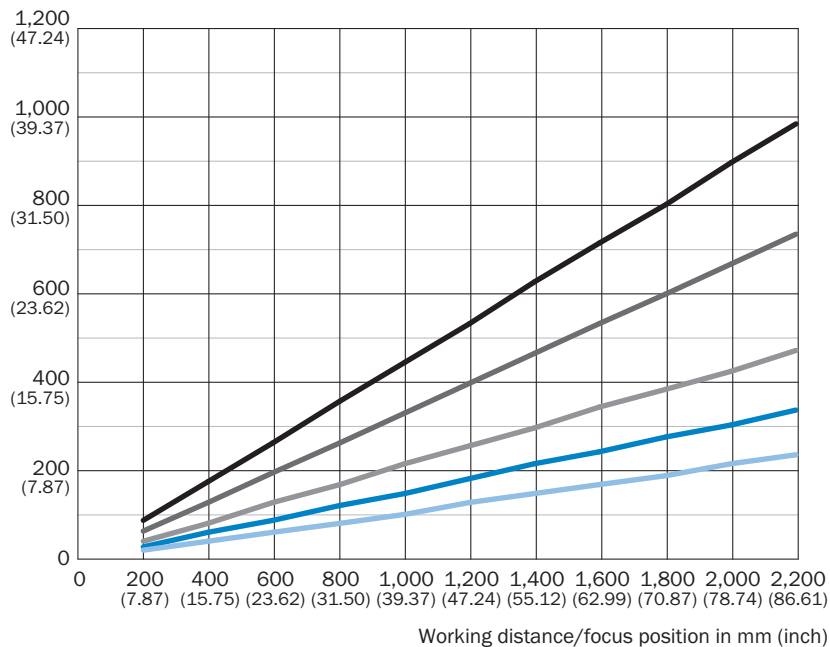
Field of view x in mm (inch)



- f = 12 mm
- f = 16 mm
- f = 25 mm
- f = 35 mm
- f = 50 mm

Field of view

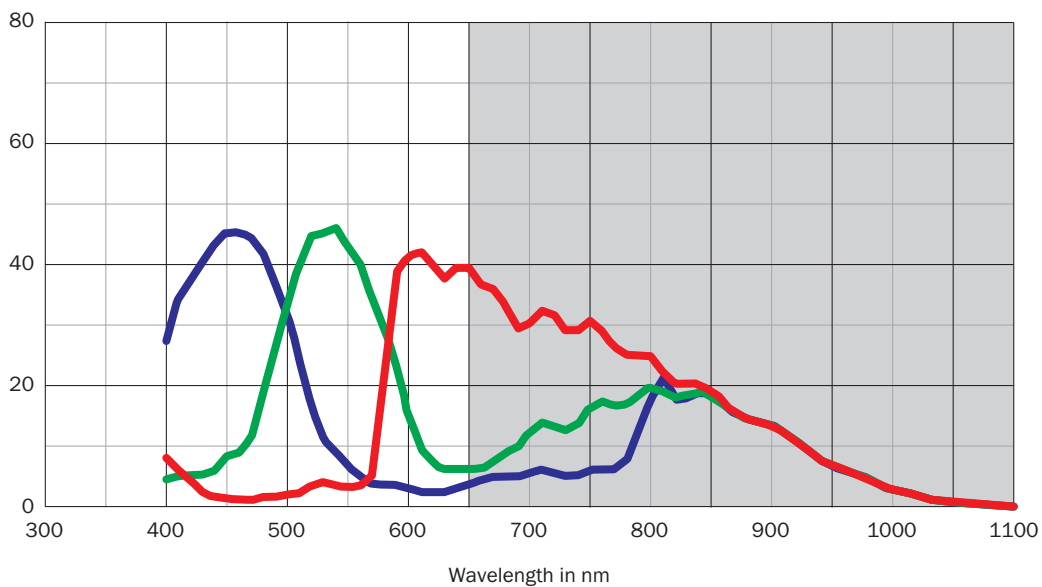
Field of view y in mm (inch)



- f = 12 mm
- f = 16 mm
- f = 25 mm
- f = 35 mm
- f = 50 mm

Spectral range

Quantum efficiency in %



Recommended accessories

Other models and accessories → www.sick.com/midiCam

	Brief description	Type	part no.
connectors and cables			
	<ul style="list-style-type: none"> • Connection type head A: Female connector, M12, 8-pin, straight, A-coded • Connection type head B: Flying leads • Signal type: Sensor/actuator cable • Cable: 2 m, 8-wire, PVC • Description: Sensor/actuator cable, shielded • Application: Uncontaminated zones, Zones with chemicals 	YF2A28-020VA6XLEAX	2096243
	<ul style="list-style-type: none"> • Connection type head A: Male connector, M12, 8-pin, straight, X-coded • Connection type head B: Male connector, RJ45, 8-pin, straight • Signal type: Ethernet, Gigabit Ethernet • Cable: 2 m, 8-wire, PUR, halogen-free • Description: Ethernet, shielded, Gigabit Ethernet • Application: Zones with oils and lubricants 	YM2X18-020EG1M-RJA8	2106258
	<ul style="list-style-type: none"> • Connection type head A: Male connector, M12, 8-pin, straight, X-coded • Connection type head B: Male connector, RJ45, 8-pin, straight • Signal type: Ethernet, Gigabit Ethernet • Cable: 3 m, 8-wire, PUR, halogen-free • Description: Ethernet, shielded, Gigabit Ethernet • Application: Zones with oils and lubricants 	YM2X18-030EG1M-RJA8	2145693
	<ul style="list-style-type: none"> • Connection type head A: Female connector, M12, 8-pin, straight, A-coded • Connection type head B: Flying leads • Signal type: Sensor/actuator cable • Cable: 3 m, 8-wire, PVC • Description: Sensor/actuator cable, shielded • Application: Uncontaminated zones, Zones with chemicals 	YF2A28-030VA6XLEAX	2145695
	<ul style="list-style-type: none"> • Connection type head A: Female connector, M12, 8-pin, straight, A-coded • Connection type head B: Flying leads • Signal type: Sensor/actuator cable • Cable: 0.6 m, 8-wire, PVC • Description: Sensor/actuator cable, shielded • Application: Uncontaminated zones, Zones with chemicals 	YF2A28-C60VA6XLEAX	2145385
	<ul style="list-style-type: none"> • Connection type head A: Female connector, M12, 8-pin, straight, A-coded • Connection type head B: Flying leads • Signal type: Sensor/actuator cable • Cable: 1 m, 8-wire, PVC • Description: Sensor/actuator cable, shielded • Application: Uncontaminated zones, Zones with chemicals 	YF2A28-010VA6XLEAX	2145386

SICK AT A GLANCE

SICK is one of the leading manufacturers of intelligent sensors and sensor solutions for industrial applications. A unique range of products and services creates the perfect basis for controlling processes securely and efficiently, protecting individuals from accidents and preventing damage to the environment.

We have extensive experience in a wide range of industries and understand their processes and requirements. With intelligent sensors, we can deliver exactly what our customers need. In application centers in Europe, Asia and North America, system solutions are tested and optimized in accordance with customer specifications. All this makes us a reliable supplier and development partner.

Comprehensive services complete our offering: SICK LifeTime Services provide support throughout the machine life cycle and ensure safety and productivity.

For us, that is “Sensor Intelligence.”

WORLDWIDE PRESENCE:

Contacts and other locations –www.sick.com