



# AOD1-MR27C4

Display modules

INTEGRATION MODULES AND ADAPTERS

**SICK**  
Sensor Intelligence.



### Ordering information

Type	part no.
AOD1-MR27C4	6058195

Other models and accessories → [www.sick.com/Display\\_modules](http://www.sick.com/Display_modules)



### Detailed technical data

#### Features

<b>Product segment</b>	Integration modules and adapters
<b>Product</b>	Display modules
<b>Description</b>	OD Mini evaluation unit, OD5000 and OL1, master, 3 x Q, 1 x analog, open end cable, 2 m
<b>Enclosure rating</b>	IP50
<b>Power consumption</b>	1)
<b>Ambient operating temperature</b>	-25 °C ... +50 °C
<b>Weight</b>	170 g

1) Without connected sensor heads.

#### Certificates

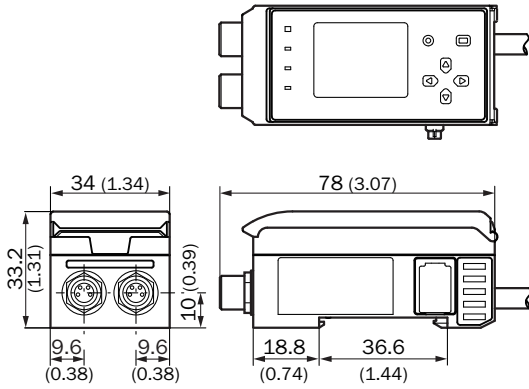
<b>EU declaration of conformity</b>	✓
<b>UK declaration of conformity</b>	✓
<b>ACMA declaration of conformity</b>	✓
<b>Moroccan declaration of conformity</b>	✓
<b>China RoHS</b>	✓
<b>Information according to Art. 3 of Data Act (Regulation EU 2023/2854)</b>	✓

#### Classifications

<b>ECLASS 5.0</b>	27270890
<b>ECLASS 5.1.4</b>	27270890
<b>ECLASS 6.0</b>	27270890
<b>ECLASS 6.2</b>	27270890
<b>ECLASS 7.0</b>	27270890
<b>ECLASS 8.0</b>	27270890
<b>ECLASS 8.1</b>	27270890
<b>ECLASS 9.0</b>	27270892
<b>ECLASS 10.0</b>	27270892
<b>ECLASS 11.0</b>	27270892
<b>ECLASS 12.0</b>	27270992

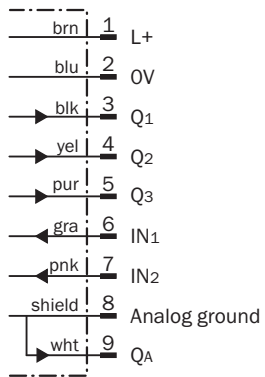
<b>ETIM 5.0</b>	EC001825
<b>ETIM 6.0</b>	EC001825
<b>ETIM 7.0</b>	EC001825
<b>ETIM 8.0</b>	EC001825
<b>UNSPSC 16.0901</b>	41111613

**Dimensional drawing**






Dimensions in mm (inch)

**Anschlussschema**



### Recommended accessories

Other models and accessories → [www.sick.com/Display\\_modules](http://www.sick.com/Display_modules)

	Brief description	Type	part no.
integration modules and adapters			
	<ul style="list-style-type: none"> <li><b>Description:</b> IO-Link Smart Sensor Gateway for WLL180T, KTL180 and AOD1; Features: IO-Link; COM3; M8 connection, 4-pin; full read/write functionality for the process and service data of the connected sensors. See operating instructions for additional information and technical details</li> </ul>	WI180C-IOA00	6071650
	<ul style="list-style-type: none"> <li><b>Description:</b> EtherCAT coupler for WLL180T, KTL180 and AOD1. Features: EtherCAT; transmission rates of up to 100 Mbaud; M12 EtherCAT connection; M8 voltage supply connection, 4-pin; full read/write functionality for the process and service data of the connected sensors. See operating instructions for additional information and technical details</li> </ul>	WI180C-EC	6068089
	<ul style="list-style-type: none"> <li><b>Description:</b> PROFINET coupler for WLL180T, KTL180 and AOD1. Features: PROFINET IRT; transmission rates 10 Mbaud – 100 Mbaud; M12 PROFINET connection; M8 voltage supply connection, 4-pin; full read/write functionality for the process and service data of the connected sensors. See operating instructions for additional information and technical details</li> </ul>	WI180C-PN	6068088

## SICK AT A GLANCE

SICK is one of the leading manufacturers of intelligent sensors and sensor solutions for industrial applications. A unique range of products and services creates the perfect basis for controlling processes securely and efficiently, protecting individuals from accidents and preventing damage to the environment.

We have extensive experience in a wide range of industries and understand their processes and requirements. With intelligent sensors, we can deliver exactly what our customers need. In application centers in Europe, Asia and North America, system solutions are tested and optimized in accordance with customer specifications. All this makes us a reliable supplier and development partner.

Comprehensive services complete our offering: SICK LifeTime Services provide support throughout the machine life cycle and ensure safety and productivity.

For us, that is “Sensor Intelligence.”

## WORLDWIDE PRESENCE:

Contacts and other locations –[www.sick.com](http://www.sick.com)