



PR02-P100B25A1

Profiler

DISPLACEMENT MEASUREMENT SENSORS

SICK
Sensor Intelligence.



Ordering information

Type	part no.
PRO2-P100B25A1	6052873

Other models and accessories → www.sick.com/Profiler



Detailed technical data

Features

Measuring range	75 mm ... 125 mm
Measuring width (at measuring distance)	17 mm (75 mm) 22 mm (100 mm) 27 mm (125 mm)
Repeatability	25 µm, x-direction ^{1) 2)} 2 µm, z-direction
Linearity	X-direction ± 170 µm ... ± 270 µm ^{3) 4)} Z-direction ± 50 µm
Response time	≥ 5 ms ⁵⁾
Emitted beam	
Light source	Laser, red
Typ. light spot size (distance)	0.3 mm x 32 mm
Key laser figures	
Normative reference	IEC 60825-1:2014, EN 60825-1:2014
Laser class	2 ⁶⁾ 7)
Additional function	Timer (ON-OFF delay, one shot, off) Averaging 1 ... 1,023 Sensitivity (adjustable) Measurement functions (average, peak height, bottom height, width, peak height position, bottom height position, edge position, edge count, tilt, area, length, diameter)

¹⁾ Typical value; actual value depends on settings and environmental conditions. For details see field of view.

²⁾ Measurement on 90 % remission (ceramic, white), for OD25-x measurement on mirror; averaging set to: 256; constant ambient conditions.

³⁾ Measurement on 90 % remission (ceramic, white).

⁴⁾ Constant ambient conditions.

⁵⁾ Typical value, high-res mode.

⁶⁾ Wavelength: 655 nm, max. output: 1 mW.

⁷⁾ Do not intentionally look into the laser beam. Never point the laser beam at people's eyes.

Interfaces

Serial	✓, RS-485
Data transmission rate	9.6 kbit/s ... 4 Mbit/s, half-duplex
Digital output	
Number	3
Type	PNP
Maximum output current I_A	≤ 100 mA
Analog output	
Number	1
Type	Current output
Current	4 mA ... 20 mA, ≤ 300 Ω ¹⁾
External input	Selectable from bank, trigger, hold, reset, laser off and offset

¹⁾ 24 mA for measuring out of range.

Electronics

Supply voltage U_B	DC 12 V (-5 %) ... DC 24 V (+10 %) ¹⁾
Power consumption	≤ 180 mA
Warm-up time	≤ 30 min
Display	2 LEDs (operational status, Laser on/off) Dot matrix display
Enclosure rating	IP67
Protection class	III
Connection type	Female connector, HRS, 12-pin (I/O, power supply)

¹⁾ When using analog voltage output reduced to 18 V DC (-5%) ... 24 V DC (+10%).

Mechanics

Dimensions (W x H x D)	40 mm x 94.5 mm x 60 mm
Housing material	Metal (zinc diecast)
Window material	Plastic (Polycarbonate (PC))
Weight	300 g

Ambient data

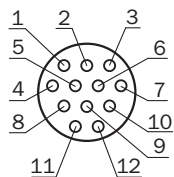
Ambient temperature, operation	-10 °C ... +40 °C, Operating temperature at $V_S = 24$ V
Ambient temperature, storage	-20 °C ... +60 °C
Max. rel. humidity (not condensing)	85 %
Temperature drift	± 0.05 % FS/K (FS = Full Scale = Measuring range of sensor)
Typ. Ambient light immunity	Artificial light: ≤ 3,000 lx Sunlight: ≤ 10,000 lx
Vibration resistance	10 Hz ... 55 Hz (amplitude 1.5 mm, x-, y-, z-axis 2 hours each)
Shock resistance	50 G (x, y, z axis 3 times each)

Certificates

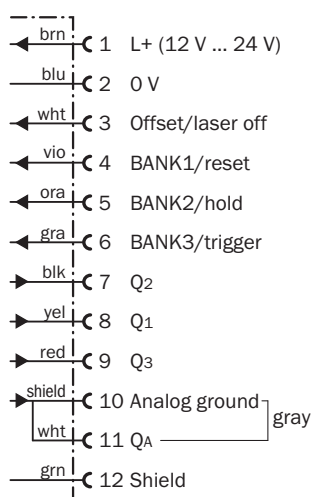
EU declaration of conformity	✓
-------------------------------------	---

- ③ LED display for supply voltage active (green)
- ④ cursor keys
- ⑤ exit button
- ⑥ set button
- ⑦ male connector, HRS, 6-pin (communication interface)
- ⑧ female connector, HRS, 12-pin (I/O, power supply)
- ⑨ sender
- ⑩ receiver

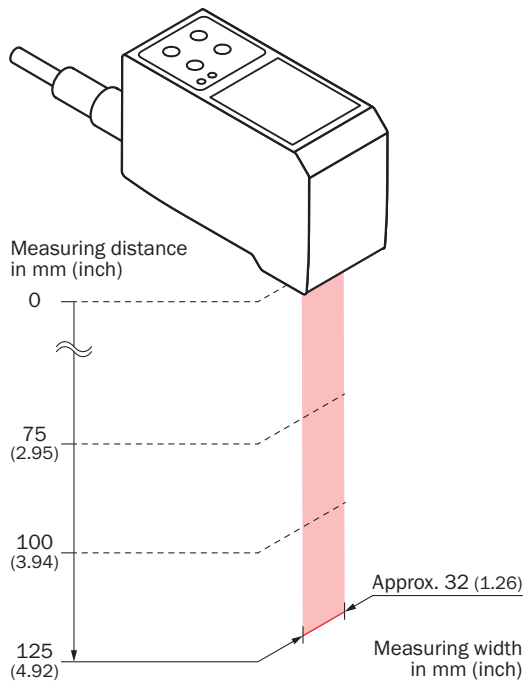
Connection type



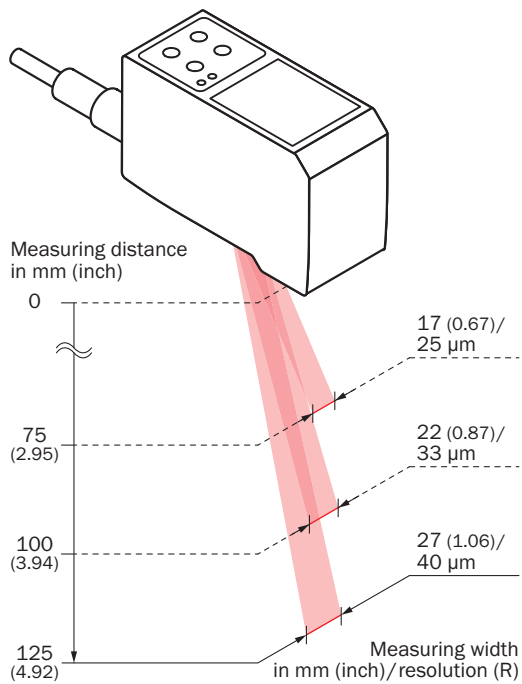
Connection diagram



Field of view: sending area





Field of view: receiving area



Recommended accessories

Other models and accessories → www.sick.com/Profiler

	Brief description	Type	part no.
connectors and cables			
	<ul style="list-style-type: none"> Description: Digital I/Os, unshielded, Power Connection type head A: Male connector, HRS, 12-pin Signal type: Digital I/Os, Power Cable: 2 m, 12-wire, PVC 	YFHRSB-020VD3XLEAX	6053017
	<ul style="list-style-type: none"> Description: RS-485 Connection type head A: Female connector, HRS, 6-pin Connection type head B: Male connector, USB Signal type: RS-485 Cable: 1.8 m, 6-wire, PVC 	YFHRS6-018VD3MUSA4	6053020

SICK AT A GLANCE

SICK is one of the leading manufacturers of intelligent sensors and sensor solutions for industrial applications. A unique range of products and services creates the perfect basis for controlling processes securely and efficiently, protecting individuals from accidents and preventing damage to the environment.

We have extensive experience in a wide range of industries and understand their processes and requirements. With intelligent sensors, we can deliver exactly what our customers need. In application centers in Europe, Asia and North America, system solutions are tested and optimized in accordance with customer specifications. All this makes us a reliable supplier and development partner.

Comprehensive services complete our offering: SICK LifeTime Services provide support throughout the machine life cycle and ensure safety and productivity.

For us, that is “Sensor Intelligence.”

WORLDWIDE PRESENCE:

Contacts and other locations –www.sick.com