



UM18-217165101

UM18

ULTRASONIC DISTANCE SENSORS

SICK
Sensor Intelligence.



Ordering information

| Type | part no. |
|----------------|----------|
| UM18-217165101 | 6048410 |

Other models and accessories → www.sick.com/UM18



Detailed technical data

Features

| | |
|--|--|
| Operating range, limiting range | 20 mm ... 150 mm, 250 mm |
| Resolution | ≥ 0.2 mm |
| Repeatability | ± 0.15 % ¹⁾ |
| Measurement accuracy | ± 1 % ²⁾ |
| Response time | 32 ms |
| Switching frequency | 25 Hz |
| Output time | 8 ms |
| Ultrasonic frequency (typical) | 380 kHz |
| Detection area (typical) | See diagrams |
| Additional function | Set switching mode: Distance to object (DtO) / Window (Wnd) / Object between sensor and background (ObSB) Teach-in of digital output Invertible digital output Reset to factory default |
| Safety-related parameters | |
| | MTTF _D 101 years |
| | DC _{avg} 0% |

¹⁾ In relation to the current measured value, minimum value ≥ resolution.

²⁾ Referring to current measurement value.

Interfaces

| | | |
|-----------------------|---------------------------------------|-----------------|
| Digital output | Number | 1 ¹⁾ |
| | Type | NPN |
| | Maximum output current I _A | ≤ 200 mA |
| Hysteresis | | 2 mm |

¹⁾ NPN: HIGH = ≤ 2 V / LOW = U_v.

Electronics

| | |
|--|--------------------------------|
| Supply voltage U_B | DC 10 V ... 30 V ¹⁾ |
| Power consumption | ≤ 1.2 W ²⁾ |
| Initialization time | < 300 ms |
| Display | 2 x LED |
| Enclosure rating | IP65 / IP67 |
| Protection class | III |

¹⁾ Limit values, reverse-polarity protected Operation in short-circuit protected network: max. 8 A, class 2.

²⁾ Without load.

Mechanics

| | |
|-------------------------------|--|
| Dimensions (W x H x D) | 18 mm x 18 mm x 53 mm |
| Design | Cylindrical |
| Sending axis | Straight |
| Housing material | Plastic (PBT, ultrasonic transducer: polyurethane foam, glass epoxy resin) |
| Weight | 15 g |
| Thread size | M18 x 1 |
| Connection type | Male connector, M12, 4-pin |

Ambient data

| | |
|---------------------------------------|--------------------------|
| Ambient temperature, operation | -25 °C ... +70 °C |
| Ambient temperature, storage | -40 °C ... +85 °C |
| Temperature drift | 0.17 % / K ¹⁾ |

¹⁾ Referring to current measurement value.

Certificates

| | |
|---|---|
| UK declaration of conformity | ✓ |
| ACMA declaration of conformity | ✓ |
| Moroccan declaration of conformity | ✓ |
| China RoHS | ✓ |
| cULus certificate | ✓ |

Classifications

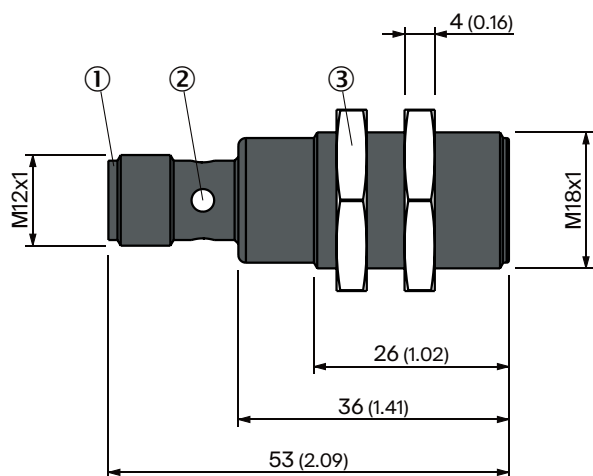
| | |
|---------------------|----------|
| ECLASS 5.0 | 27270804 |
| ECLASS 5.1.4 | 27270804 |
| ECLASS 6.0 | 27270804 |
| ECLASS 6.2 | 27270804 |
| ECLASS 7.0 | 27270804 |
| ECLASS 8.0 | 27270804 |
| ECLASS 8.1 | 27270804 |
| ECLASS 9.0 | 27270804 |
| ECLASS 10.0 | 27270804 |
| ECLASS 11.0 | 27270804 |

UM18-217165101 | UM18

ULTRASONIC DISTANCE SENSORS

| | |
|-----------------------|----------|
| ECLASS 12.0 | 27272806 |
| ETIM 5.0 | EC001846 |
| ETIM 6.0 | EC001846 |
| ETIM 7.0 | EC001846 |
| ETIM 8.0 | EC001846 |
| UNSPSC 16.0901 | 41111960 |

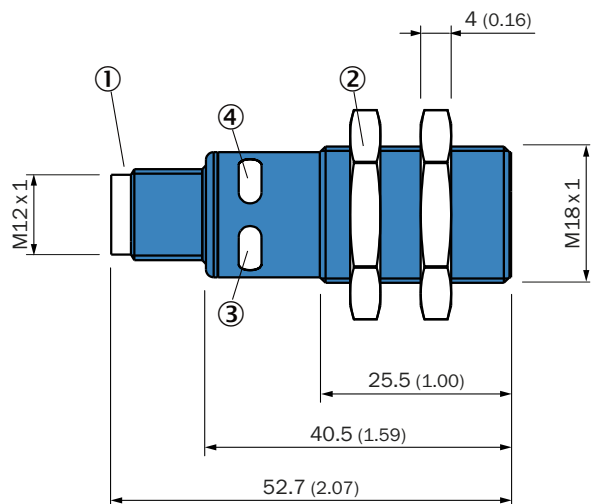
dimensional drawing, gray housing color



Dimensions in mm (inch)

- ① Connection
- ② Fixing nuts, width 24 mm
- ③ Status display

dimensional drawing, blue housing color

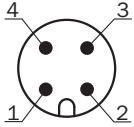


Dimensions in mm (inch)

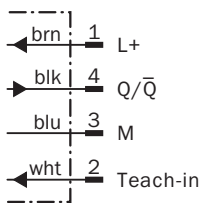
- ① Connection
- ② Fixing nuts, width 24 mm

- ③ Status display for supply voltage active (green)
- ④ Status indicator switching/analog output (orange)

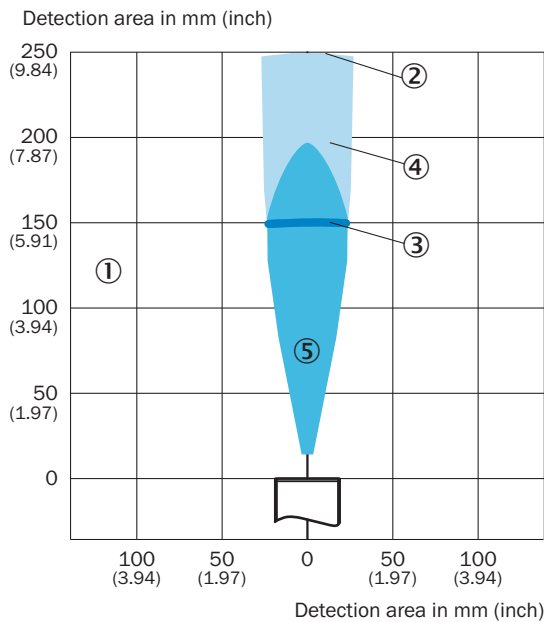
Connection type



Connection diagram








Detection area UM1x-x17



Recommended accessories

Other models and accessories → www.sick.com/UM18

| | Brief description | Type | part no. |
|---|---|--------------------|----------|
| Mounting systems | | | |
|  | <ul style="list-style-type: none"> Description: Mounting plate for M18 sensors Material: Steel Details: Steel, zinc coated Items supplied: Without mounting hardware Suitable for: GR18, V180-2, V18, W15, Z1, Z2 | BEF-WG-M18 | 5321870 |
| reflectors and optics | | | |
|  | | USP-UM18 | 5323658 |
| connectors and cables | | | |
|  | <ul style="list-style-type: none"> Description: Sensor/actuator cable, unshielded Connection type head A: Female connector, M12, 4-pin, straight, A-coded Connection type head B: Flying leads Signal type: Sensor/actuator cable Cable: 2 m, 4-wire, PVC Application: Uncontaminated zones, Zones with chemicals | YF2A14-020VB3XLEAX | 2096234 |
|  | <ul style="list-style-type: none"> Description: Sensor/actuator cable, unshielded Connection type head A: Female connector, M12, 4-pin, straight, A-coded Connection type head B: Flying leads Signal type: Sensor/actuator cable Cable: 0.6 m, 4-wire, PVC Application: Uncontaminated zones, Zones with chemicals | YF2A14-C60VB3XLEAX | 2145707 |
|  | <ul style="list-style-type: none"> Description: Sensor/actuator cable, unshielded Connection type head A: Female connector, M12, 4-pin, straight, A-coded Connection type head B: Flying leads Signal type: Sensor/actuator cable Cable: 1 m, 4-wire, PVC Application: Uncontaminated zones, Zones with chemicals | YF2A14-010VB3XLEAX | 2145708 |

SICK AT A GLANCE

SICK is one of the leading manufacturers of intelligent sensors and sensor solutions for industrial applications. A unique range of products and services creates the perfect basis for controlling processes securely and efficiently, protecting individuals from accidents and preventing damage to the environment.

We have extensive experience in a wide range of industries and understand their processes and requirements. With intelligent sensors, we can deliver exactly what our customers need. In application centers in Europe, Asia and North America, system solutions are tested and optimized in accordance with customer specifications. All this makes us a reliable supplier and development partner.

Comprehensive services complete our offering: SICK LifeTime Services provide support throughout the machine life cycle and ensure safety and productivity.

For us, that is “Sensor Intelligence.”

WORLDWIDE PRESENCE:

Contacts and other locations –www.sick.com