



# ES21-SB13J1

ES21

SAFETY COMMAND DEVICES

**SICK**  
Sensor Intelligence.



### Ordering information

Type	part no.
ES21-SB13J1	6045315

Other models and accessories → [www.sick.com/ES21](http://www.sick.com/ES21)



### Detailed technical data

#### Features

<b>Positive action N/C contacts</b>	2
<b>N/O contacts</b>	1
<b>Actuation directions</b>	1
<b>Contact module for panel mount version</b>	✓
<b>Emergency stop pushbutton (illuminable)</b>	✓
<b>Obstruction protection</b>	✓
<b>Release type</b>	Rotary release
<b>Labeling EMERGENCY STOP</b>	✓

#### Safety-related parameters

<b>B<sub>10d</sub> parameter</b>	2.5 x 10 <sup>5</sup> switching cycles
----------------------------------	--

#### Functions

<b>Safe series connection</b>	None, only individual wiring (with diagnostics)
-------------------------------	---

#### Interfaces

<b>Connection type</b>	Terminal strip
Conductor cross section	≤ 2.5 mm <sup>2</sup>
Contact	Screw connection

#### Electronics - Operating data

<b>Protection class</b>	II (EN 50178)
<b>Switching principle</b>	Slow action switching element
<b>Positive action N/C contacts</b>	2
<b>N/O contacts</b>	1
<b>Usage category</b>	AC-15/DC-13 (EN 60947-5-1)
<b>Rated operating current (voltage)</b>	3 A (250 V AC) 2 A (24 V DC)
<b>Rated insulation voltage U<sub>i</sub></b>	600 V
<b>Switching voltage</b>	≥ 5 V DC
<b>Switching current</b>	≥ 1 mA

## Electronics - Illumination

<b>Supply voltage <math>V_s</math></b>	24 V DC (12 V DC ... 30 V DC)
<b>Power consumption</b>	8 mA ... 44 mA
<b>Life time</b>	70.000 h <sup>1)</sup> 100.000 h <sup>2)</sup>

<sup>1)</sup> At 55 °C, 20 mA.

<sup>2)</sup> At 25 °C, 20 mA.

## Mechanics

<b>Weight</b>	150 g
<b>Housing material</b>	Plastic
<b>Mounting version</b>	Panel mount version

## Ambient data

<b>Enclosure rating</b>	IP54 (IEC 60529)
<b>Ambient operating temperature</b>	-25 °C ... +55 °C
<b>Storage temperature</b>	-25 °C ... +85 °C

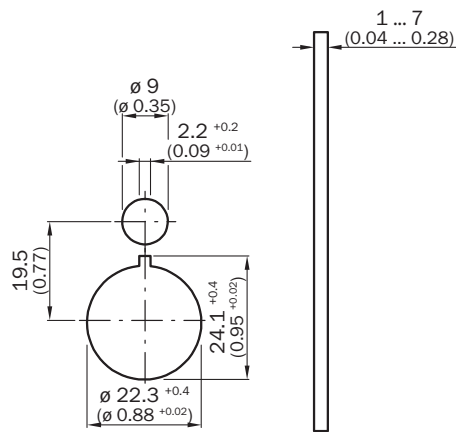
## Certificates

<b>EU declaration of conformity</b>	✓
<b>UK declaration of conformity</b>	✓
<b>China RoHS</b>	✓
<b>Third party certificate</b>	✓

## Classifications

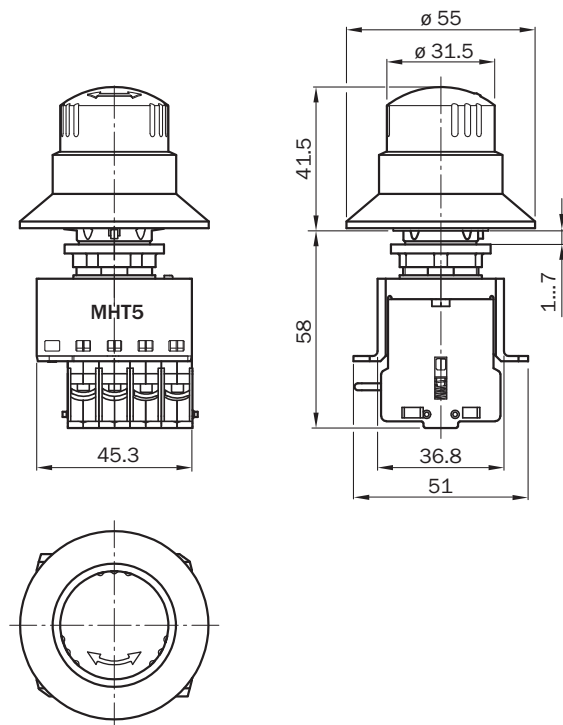
<b>ECLASS 5.0</b>	27371228
<b>ECLASS 5.1.4</b>	27371228
<b>ECLASS 6.0</b>	27371244
<b>ECLASS 6.2</b>	27371244
<b>ECLASS 7.0</b>	27371244
<b>ECLASS 8.0</b>	27371244
<b>ECLASS 8.1</b>	27371244
<b>ECLASS 9.0</b>	27371244
<b>ECLASS 10.0</b>	27371244
<b>ECLASS 11.0</b>	27371244
<b>ECLASS 12.0</b>	27371244
<b>ETIM 5.0</b>	EC002034
<b>ETIM 6.0</b>	EC002034
<b>ETIM 7.0</b>	EC002034
<b>ETIM 8.0</b>	EC002034
<b>UNSPSC 16.0901</b>	39121545

Dimensional drawing Mounting holes



Dimensions in mm (inch)

Dimensional drawing Panel mount version



Dimensions in mm (inch)

## SICK AT A GLANCE

SICK is one of the leading manufacturers of intelligent sensors and sensor solutions for industrial applications. A unique range of products and services creates the perfect basis for controlling processes securely and efficiently, protecting individuals from accidents and preventing damage to the environment.

We have extensive experience in a wide range of industries and understand their processes and requirements. With intelligent sensors, we can deliver exactly what our customers need. In application centers in Europe, Asia and North America, system solutions are tested and optimized in accordance with customer specifications. All this makes us a reliable supplier and development partner.

Comprehensive services complete our offering: SICK LifeTime Services provide support throughout the machine life cycle and ensure safety and productivity.

For us, that is “Sensor Intelligence.”

## WORLDWIDE PRESENCE:

Contacts and other locations –[www.sick.com](http://www.sick.com)