



Fieldbus module (IP 20)

Fieldbus modules

INTEGRATION MODULES AND ADAPTERS

SICK
Sensor Intelligence.



Ordering information

Type	part no.
Fieldbus module (IP 20)	6038825

Other models and accessories → www.sick.com/Fieldbus_modules

Detailed technical data

Features

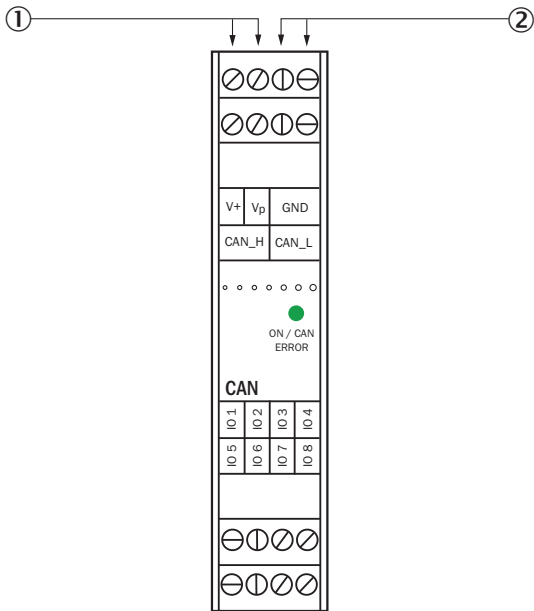
Product segment	Integration modules and adapters
Product	Fieldbus modules
Description	External CAN expansion module for up to 8 additional digital outputs, IP 20
Enclosure rating	IP20
Operating voltage	9 V DC ... 36 V DC
Power consumption	1)
Dimensions (W x H x L)	22.5 mm x 102 mm x 128.8 mm
Weight	150 g

¹⁾ Screw terminals on COMBICON male connector.

Classifications

ECLASS 5.0	27242202
ECLASS 5.1.4	27242602
ECLASS 6.0	27242602
ECLASS 6.2	27242602
ECLASS 7.0	27242602
ECLASS 8.0	27242602
ECLASS 8.1	27242602
ECLASS 9.0	27242602
ECLASS 10.0	27242602
ECLASS 11.0	27242602
ECLASS 12.0	27242602
ETIM 5.0	EC001597
ETIM 6.0	EC001597
ETIM 7.0	EC001597
ETIM 8.0	EC001597
UNSPSC 16.0901	32151705

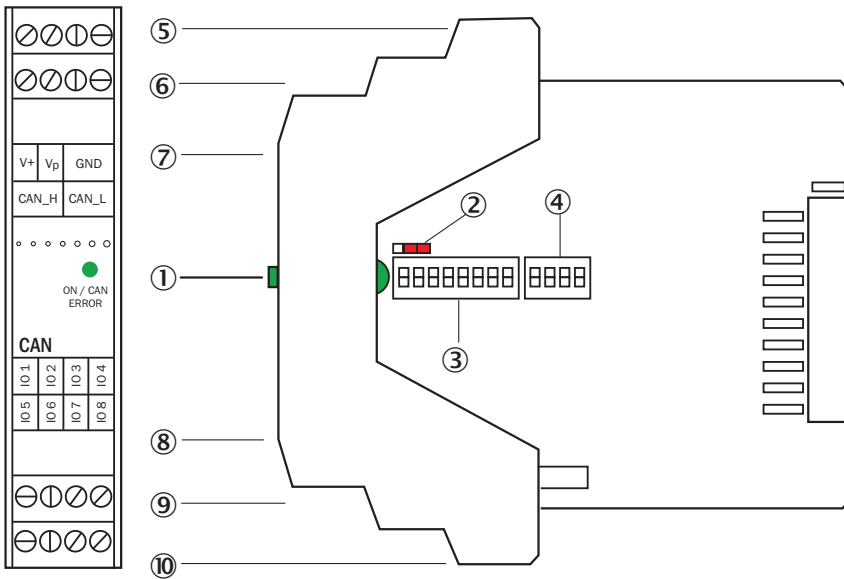
Dimensional drawing



Dimensions in mm (inch)

- ① Supply
- ② GND

Dimensional drawing

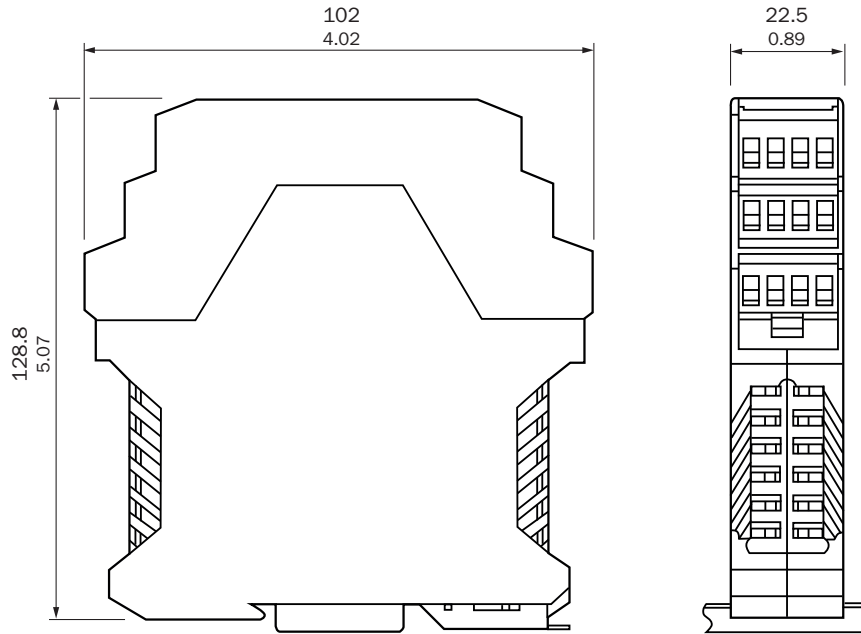


Dimensions in mm (inch)

- ① Two-color status LED
- ② Termination switch
- ③ Module address setting
- ④ Bit rate setting
- ⑤ Terminals for supply
- ⑥ Terminals for CAN
- ⑦ Blind terminal
- ⑧ Blind terminal
- ⑨ Blind terminal
- ⑩ Blind terminal

- ⑨ Terminals for digital signals (1..4)
- ⑩ Terminals for digital signals (5..8)

Dimensional drawing



Dimensions in mm (inch)

SICK AT A GLANCE

SICK is one of the leading manufacturers of intelligent sensors and sensor solutions for industrial applications. A unique range of products and services creates the perfect basis for controlling processes securely and efficiently, protecting individuals from accidents and preventing damage to the environment.

We have extensive experience in a wide range of industries and understand their processes and requirements. With intelligent sensors, we can deliver exactly what our customers need. In application centers in Europe, Asia and North America, system solutions are tested and optimized in accordance with customer specifications. All this makes us a reliable supplier and development partner.

Comprehensive services complete our offering: SICK LifeTime Services provide support throughout the machine life cycle and ensure safety and productivity.

For us, that is “Sensor Intelligence.”

WORLDWIDE PRESENCE:

Contacts and other locations –www.sick.com