



## SBL-04D12-KC10

Passive distribution boxes

CONNECTORS AND CABLES

**SICK**  
Sensor Intelligence.



### Ordering information

Type	part no.
SBL-04D12-KC10	6028395

Other models and accessories → [www.sick.com/Passive\\_distribution\\_boxes](http://www.sick.com/Passive_distribution_boxes)



### Detailed technical data

#### Technical specifications

<b>Switching output</b>	PNP
<b>Number of slots</b>	4
<b>Slot connection type</b>	M12, 5-pin, A-coded, female connector
<b>Root port connection type</b>	Flying leads
<b>Connecting cable</b>	10 m, 11-wire, PUR, halogen-free
<b>Cable diameter</b>	11.6 mm
<b>Cable color</b>	Black
<b>Conductor cross section</b>	3 x 1.00 mm <sup>2</sup> + 8 x 0.50 mm <sup>2</sup>
<b>Traversing speed</b>	3.33 m/s
<b>Acceleration</b>	≤ 5 m/s <sup>2</sup>
<b>Tightening torque</b>	
	Slots 0.5 Nm
<b>Reference voltage</b>	≤ 30 V
<b>Current loading</b>	11 A
<b>Overvoltage category</b>	III
<b>Operating temperature</b>	
	Flexible use -25 °C ... +80 °C
	Stationary position -50 °C ... +80 °C
	Drag chain operation -25 °C ... +60 °C
<b>Enclosure rating</b>	IP67 <sup>1)</sup>
<b>Items supplied</b>	With 2 dust covers and 10 attachable labels

<sup>1)</sup> Only in fully locked position with its plugs.

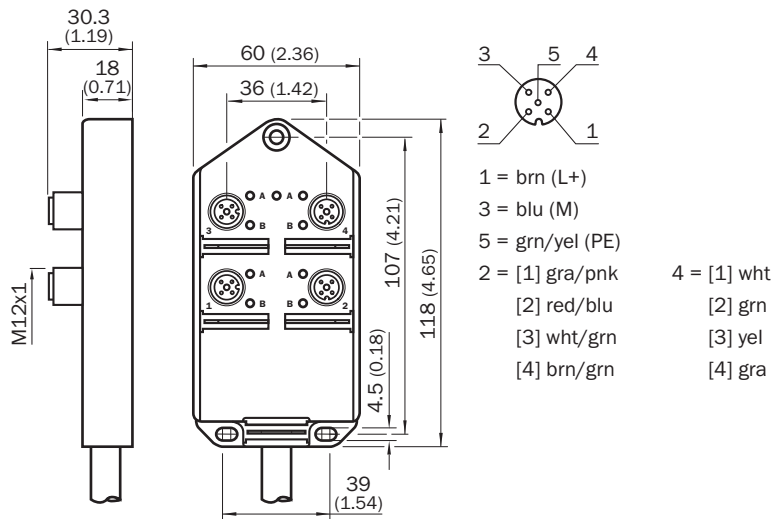
#### Certificates

<b>EU declaration of conformity</b>	✓
<b>UK declaration of conformity</b>	✓
<b>China RoHS</b>	✓

Classifications

<b>ECLASS 5.0</b>	27279201
<b>ECLASS 5.1.4</b>	27279201
<b>ECLASS 6.0</b>	27279201
<b>ECLASS 6.2</b>	27279201
<b>ECLASS 7.0</b>	27279201
<b>ECLASS 8.0</b>	27279201
<b>ECLASS 8.1</b>	27279201
<b>ECLASS 9.0</b>	27440108
<b>ECLASS 10.0</b>	27440108
<b>ECLASS 11.0</b>	27440108
<b>ECLASS 12.0</b>	27440108
<b>ETIM 5.0</b>	EC002585
<b>ETIM 6.0</b>	EC002585
<b>ETIM 7.0</b>	EC002585
<b>ETIM 8.0</b>	EC002585
<b>UNSPSC 16.0901</b>	31163032

Dimensional drawing



Dimensions in mm (inch)

## SICK AT A GLANCE

SICK is one of the leading manufacturers of intelligent sensors and sensor solutions for industrial applications. A unique range of products and services creates the perfect basis for controlling processes securely and efficiently, protecting individuals from accidents and preventing damage to the environment.

We have extensive experience in a wide range of industries and understand their processes and requirements. With intelligent sensors, we can deliver exactly what our customers need. In application centers in Europe, Asia and North America, system solutions are tested and optimized in accordance with customer specifications. All this makes us a reliable supplier and development partner.

Comprehensive services complete our offering: SICK LifeTime Services provide support throughout the machine life cycle and ensure safety and productivity.

For us, that is “Sensor Intelligence.”

## WORLDWIDE PRESENCE:

Contacts and other locations –[www.sick.com](http://www.sick.com)