



VSE18L-3P344

LICHTSCHRANKEN UND TASTER

SICK
Sensor Intelligence.



Illustration may differ

Ordering information

Type	part no.
VSE18L-3P344	6027939

Other models and accessories → www.sick.com/

Detailed technical data

Features

Functional principle	Through-beam photoelectric sensor
Housing design (light emission)	Cylindrical, straight
Sensing range max.	0 m ... 60 m
Sensing range	0 m ... 50 m
Type of light	Infrared light
Light source	Laser
Wave length	650 nm
Adjustment	Potentiometer

Mechanics/electronics

Supply voltage U_B	10 V DC ... 30 V DC
Ripple	± 10 %
Current consumption	25 mA ¹⁾
Switching output	PNP
Switching mode	Dark switching
Response time	≤ 0.5 ms ²⁾
Connection type	Male connector M12, 4-pin ³⁾
Housing material	Metal, Brass nickel-plated, plastic
Optics material	Plastic, PMMA
Enclosure rating	IP67
Ambient operating temperature	-15 °C ... +55 °C
Ambient temperature, storage	-25 °C ... +70 °C
UL File No.	NRKH.E181493, CDRH-conform (0312012-00)

¹⁾ Without load.

²⁾ Signal transit time with resistive load.

³⁾ Do not bend below 0 °C.

Classifications

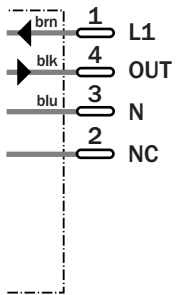
ECLASS 5.0	27270901
ECLASS 5.1.4	27270901
ECLASS 6.0	27270901

ECLASS 6.2	27270901
ECLASS 7.0	27270901
ECLASS 8.0	27270901
ECLASS 8.1	27270901
ECLASS 9.0	27270901
ECLASS 10.0	27270901
ECLASS 11.0	27270901
ETIM 5.0	EC002716
ETIM 6.0	EC002716
ETIM 7.0	EC002716
ETIM 8.0	EC002716
UNSPSC 16.0901	39121528

Connection type

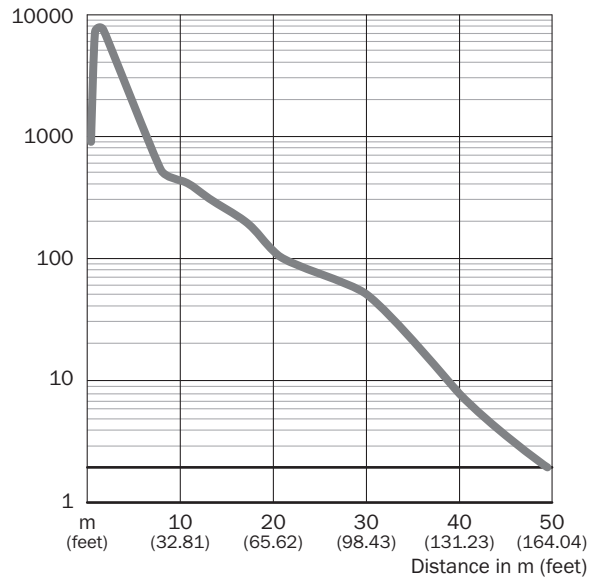


Connection diagram

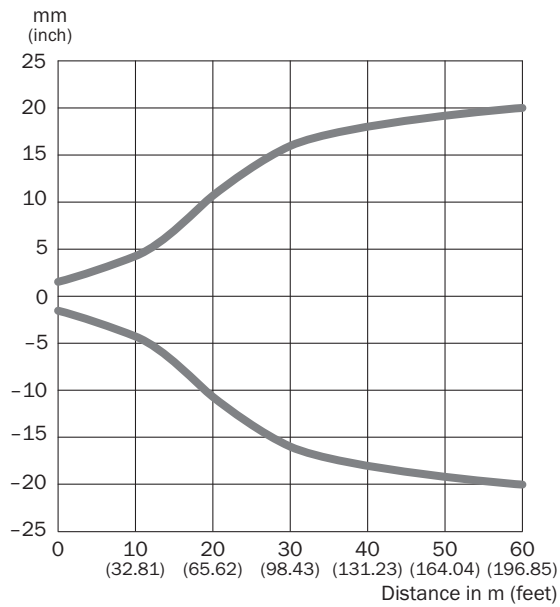


Characteristic curve

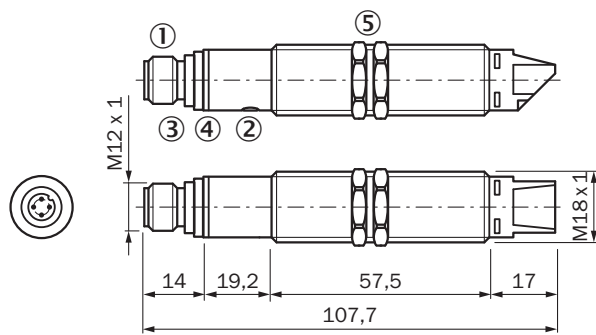
Operating reserve



Light spot size VSE18L



Dimensional drawing Radial



Dimensions in mm (inch)

- ① M12 male device connector, 4-pin
- ② Sensitivity setting: single teach-in button
- ③ green LED indicator: V_S supply voltage feed
- ④ Yellow LED indicator:
- ④ - lights continuously:
- ④ - blinks: Reception signal < reserve factor 2 but > switching threshold 1
- ⑤ fastening nuts (2 x); width across 24, metal
- ⑤ (included with delivery)

SICK AT A GLANCE

SICK is one of the leading manufacturers of intelligent sensors and sensor solutions for industrial applications. A unique range of products and services creates the perfect basis for controlling processes securely and efficiently, protecting individuals from accidents and preventing damage to the environment.

We have extensive experience in a wide range of industries and understand their processes and requirements. With intelligent sensors, we can deliver exactly what our customers need. In application centers in Europe, Asia and North America, system solutions are tested and optimized in accordance with customer specifications. All this makes us a reliable supplier and development partner.

Comprehensive services complete our offering: SICK LifeTime Services provide support throughout the machine life cycle and ensure safety and productivity.

For us, that is “Sensor Intelligence.”

WORLDWIDE PRESENCE:

Contacts and other locations –www.sick.com