



# ES21-AT1140

ES21

SAFETY COMMAND DEVICES

**SICK**  
Sensor Intelligence.



### Ordering information

Type	part no.
ES21-AT1140	5321165

Other models and accessories → [www.sick.com/ES21](http://www.sick.com/ES21)



### Detailed technical data

#### Features

<b>Actuation directions</b>	1
<b>Obstruction protection</b>	✓
<b>Release type</b>	Rotary release
<b>Protective collar</b>	✓

#### Functions

<b>Safe series connection</b>	None, only individual wiring (with diagnostics)
-------------------------------	---

#### Electronics - Operating data

<b>Switching principle</b>	Slow action switching element
----------------------------	-------------------------------

#### Mechanics

<b>Dimensions</b>	67 mm x 61 mm
<b>Mounting diameter</b>	22 mm
<b>Weight</b>	80 g
<b>Housing material</b>	Plastic
<b>Mechanical life</b>	50.000 switching cycles

#### Ambient data

<b>Enclosure rating</b>	IP65 (IEC 60529)
<b>Ambient operating temperature</b>	-30 °C ... +70 °C
<b>Storage temperature</b>	-50 °C ... +85 °C

#### Certificates

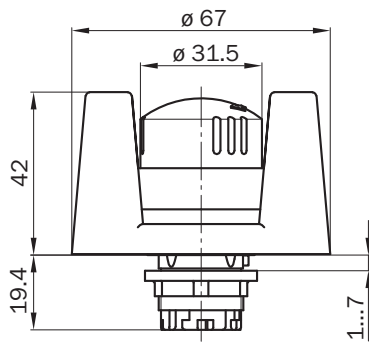
<b>EU declaration of conformity</b>	✓
<b>UK declaration of conformity</b>	✓
<b>cULus certificate</b>	✓
<b>Third party certificate</b>	✓

#### Classifications

<b>ECLASS 5.0</b>	27371228
-------------------	----------

<b>ECLASS 5.1.4</b>	27371228
<b>ECLASS 6.0</b>	27371244
<b>ECLASS 6.2</b>	27371244
<b>ECLASS 7.0</b>	27371244
<b>ECLASS 8.0</b>	27371244
<b>ECLASS 8.1</b>	27371244
<b>ECLASS 9.0</b>	27371244
<b>ECLASS 10.0</b>	27371291
<b>ECLASS 11.0</b>	27371291
<b>ECLASS 12.0</b>	27371291
<b>ETIM 5.0</b>	EC002034
<b>ETIM 6.0</b>	EC002034
<b>ETIM 7.0</b>	EC002034
<b>ETIM 8.0</b>	EC002034
<b>UNSPSC 16.0901</b>	39121545

Dimensional drawing



Dimensions in mm (inch)

## SICK AT A GLANCE

SICK is one of the leading manufacturers of intelligent sensors and sensor solutions for industrial applications. A unique range of products and services creates the perfect basis for controlling processes securely and efficiently, protecting individuals from accidents and preventing damage to the environment.

We have extensive experience in a wide range of industries and understand their processes and requirements. With intelligent sensors, we can deliver exactly what our customers need. In application centers in Europe, Asia and North America, system solutions are tested and optimized in accordance with customer specifications. All this makes us a reliable supplier and development partner.

Comprehensive services complete our offering: SICK LifeTime Services provide support throughout the machine life cycle and ensure safety and productivity.

For us, that is “Sensor Intelligence.”

## WORLDWIDE PRESENCE:

Contacts and other locations –[www.sick.com](http://www.sick.com)