



YF2L15-010UK1M2L15

Sensor-actuator cables

CONNECTORS AND CABLES

SICK
Sensor Intelligence.



Ordering information

Type	part no.
YF2L15-010UK1M2L15	2125147

Other models and accessories → www.sick.com/Sensor-actuator_cables



Detailed technical data

Technical specifications

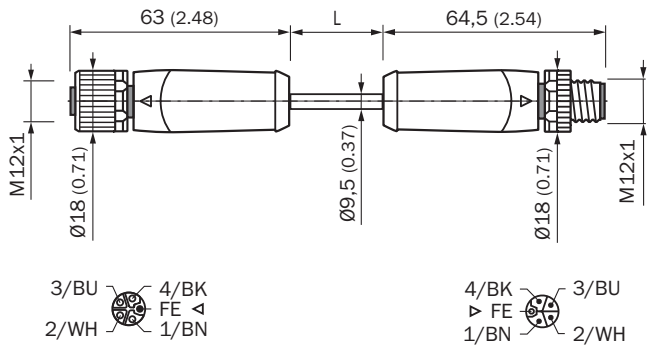
Connection type head A	Female connector, M12, 5-pin, straight, L-coded
Connection type head B	Male connector, M12, 5-pin, straight, L-coded
Locking plug connector	Screw connection
Connector material	TPU
Connector color	Black
Locking nut material	Zinc die-cast, nickel-plated
Seal material	FKM
Tightening torque	0.6 Nm
Width across flats	17
Cable	1 m, 5-wire, PUR, halogen-free
Jacket material	PUR, halogen-free
Jacket color	Black
Cable diameter	9.5 mm
Conductor cross section	2.5 mm ²
Shielding	Unshielded
Bending radius	
Flexible use	> 10 x cable diameter
Stationary position	> 7.5 x cable diameter
Drag chain operation	> 10 x cable diameter
Bending cycles	5,000,000
Nominal voltage, cable	1,000 V AC
Test voltage, cable	10,000 V AC
Reference voltage	
	63 V DC
Rated impulse voltage	1.5 kV
Current loading	16 A
Traversing speed	3.3 m/s
Travelling distance	5 m
Acceleration	≤ 5 m/s ²
Signal type	Sensor/actuator cable

Torsion force	180° / 1 m
Torsion cycles	2,000,000
Cycles per minutes	35
Application	Drag chain operation Zones with oils and lubricants Robot
Enclosure rating	IP65/ IP67
Operating temperature	
Flexible use	-25 °C ... +80 °C
Stationary position	-50 °C ... +80 °C
Drag chain operation	-25 °C ... +80 °C
Head	-25 °C ... +85 °C
Contamination rating	3
Insulation resistance	100 MΩ
Overvoltage category	III
Specific insulation resistance	30 mΩ
Thermal resistance, piping	Flame retardant according to UL 1581 VW1 / CSA FT1 / IEC 60332-1, IEC 60332-2-2

Certificates

EU declaration of conformity	✓
China RoHS	✓

Dimensional drawing



Dimensions in mm (inch)

SICK AT A GLANCE

SICK is one of the leading manufacturers of intelligent sensors and sensor solutions for industrial applications. A unique range of products and services creates the perfect basis for controlling processes securely and efficiently, protecting individuals from accidents and preventing damage to the environment.

We have extensive experience in a wide range of industries and understand their processes and requirements. With intelligent sensors, we can deliver exactly what our customers need. In application centers in Europe, Asia and North America, system solutions are tested and optimized in accordance with customer specifications. All this makes us a reliable supplier and development partner.

Comprehensive services complete our offering: SICK LifeTime Services provide support throughout the machine life cycle and ensure safety and productivity.

For us, that is “Sensor Intelligence.”

WORLDWIDE PRESENCE:

Contacts and other locations –www.sick.com