



ECU1-2121AABZZZ

Interface modules

INTEGRATION MODULES AND ADAPTERS

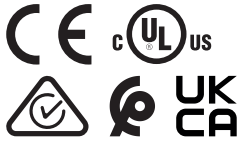
SICK
Sensor Intelligence.



Ordering information

Type	part no.
ECU1-2121AABZZZ	2124675

Other models and accessories → www.sick.com/Interface_modules



Detailed technical data

Features

Product segment	Integration modules and adapters
Product	Interface modules
Description	External, passive control unit with one pushbutton and three LEDs; cable with male connector M12, 4-pin; PLC: pin 2 and pin 4 swapped; cable material: PUR; housing material: plastic, TPU, reinforced; supply voltage: DC 10 V DC ... 30 V DC; current I _{max.} : 510 mA; protection class: III (EN 61140); EMC: EN 61000-6-2, EN 61000-6-4; ambient temperature operation: -25 °C ... +55 °C; ambient temperature storage: -25 °C ... +70 °C
Specialty	PLC: Pin 2 and pin 4 swapped over
Enclosure rating	IP67
Dimensions (W x H x L)	15.9 mm x 9.1 mm x 37.8 mm

Certificates

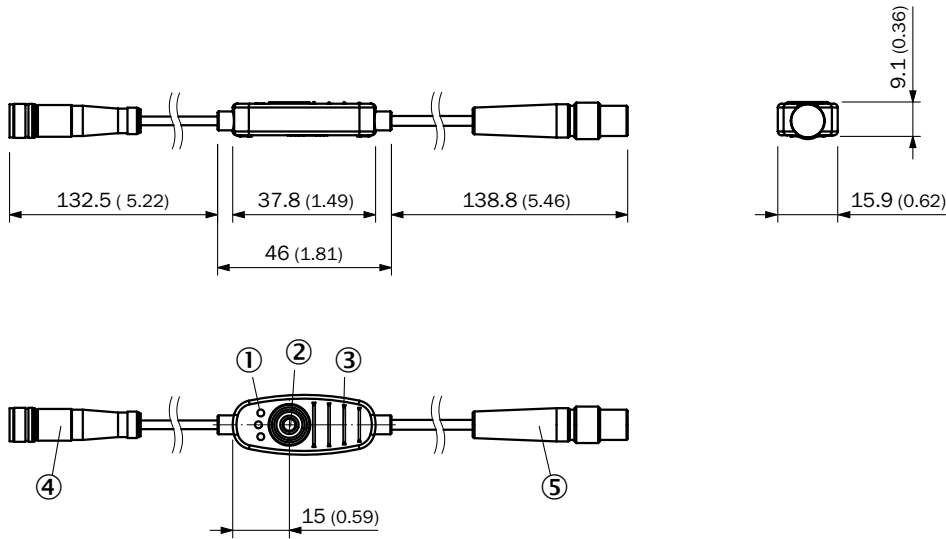
EU declaration of conformity	✓
UK declaration of conformity	✓
ACMA declaration of conformity	✓
Moroccan declaration of conformity	✓
China RoHS	✓
cULus certificate	✓

Classifications

ECLASS 5.0	27279214
ECLASS 5.1.4	27279214
ECLASS 6.0	27279214
ECLASS 6.2	27279214
ECLASS 7.0	27279214
ECLASS 8.0	27279214
ECLASS 8.1	27279214
ECLASS 9.0	27242602
ECLASS 10.0	27242602
ECLASS 11.0	27242602

ECLASS 12.0	27242602
ETIM 5.0	EC001597
ETIM 6.0	EC001597
ETIM 7.0	EC001597
ETIM 8.0	EC001597
UNSPSC 16.0901	32151705

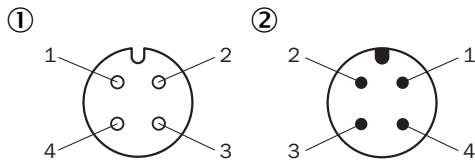
Dimensional drawing



Dimensions in mm (inch)

- ① status LEDs
- ② Teach-in button
- ③ retaining ribs
- ④ cable with female connector
- ⑤ cable with male connector

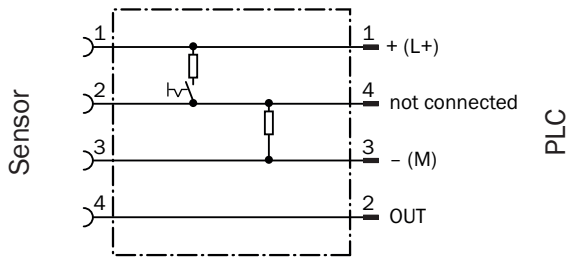
pinouts



Female connector/male connector, M12, 4-pin, A-coded


- ① Sensor
- ② PLC

Anschlussschema



Recommended accessories

Other models and accessories → www.sick.com/Interface_modules

	Brief description	Type	part no.
Mounting systems			
	<ul style="list-style-type: none"> Description: Mounting is by means of the enclosed adhesive pad, 2x M3 countersunk screws or 2x cable ties Material: Plastic Details: Plastic Items supplied: Including double-sided adhesive pad Usable for: MPS-G 	BEF-CPMPS-G	2117133

SICK AT A GLANCE

SICK is one of the leading manufacturers of intelligent sensors and sensor solutions for industrial applications. A unique range of products and services creates the perfect basis for controlling processes securely and efficiently, protecting individuals from accidents and preventing damage to the environment.

We have extensive experience in a wide range of industries and understand their processes and requirements. With intelligent sensors, we can deliver exactly what our customers need. In application centers in Europe, Asia and North America, system solutions are tested and optimized in accordance with customer specifications. All this makes us a reliable supplier and development partner.

Comprehensive services complete our offering: SICK LifeTime Services provide support throughout the machine life cycle and ensure safety and productivity.

For us, that is “Sensor Intelligence.”

WORLDWIDE PRESENCE:

Contacts and other locations –www.sick.com