



BEF-TCFR10-FTS1

Flanges and nozzles

MOUNTING SYSTEMS

SICK
Sensor Intelligence.

BEF-TCFR10-FTS1 | Flanges and nozzles

MOUNTING SYSTEMS



Ordering information

Type	part no.
BEF-TCFR10-FTS1	2122453

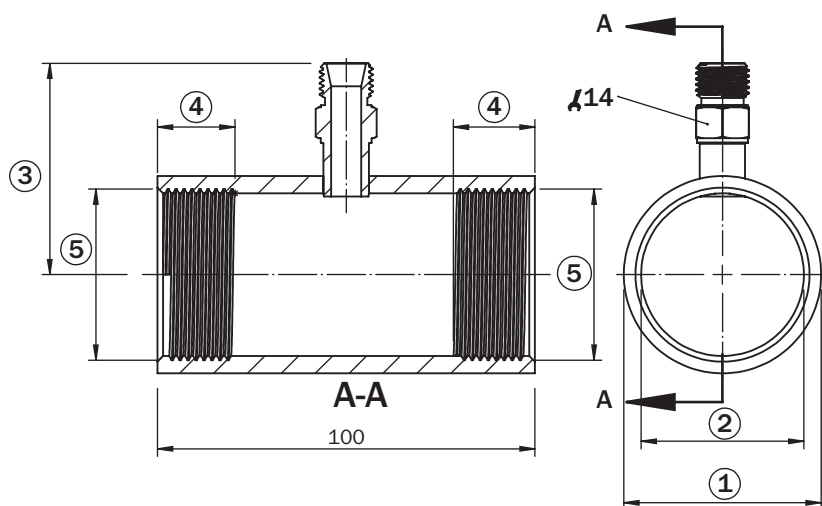
Other models and accessories → www.sick.com/Flanges_and_nozzles

Detailed technical data

Features

Accessory group	Mounting systems
Accessory family	Flanges and nozzles
Description	T-piece DN25 Rp1 thread for T-Easic® FTS

T-piece DN25 (P/N 2122453) / DN40 (P/N 2122454) / DN50 (2122455) with Rp thread



	2122453	2122454	2122455
①	∅ 37,7	∅ 52,3	∅ 63,7
②	∅ 28,5	∅ 43,1	∅ 54,5
③	40	56	56
④	21	22	27
⑤	RP 1	RP 1 1/2	RP 2

Dimensions in mm (inch)

SICK AT A GLANCE

SICK is one of the leading manufacturers of intelligent sensors and sensor solutions for industrial applications. A unique range of products and services creates the perfect basis for controlling processes securely and efficiently, protecting individuals from accidents and preventing damage to the environment.

We have extensive experience in a wide range of industries and understand their processes and requirements. With intelligent sensors, we can deliver exactly what our customers need. In application centers in Europe, Asia and North America, system solutions are tested and optimized in accordance with customer specifications. All this makes us a reliable supplier and development partner.

Comprehensive services complete our offering: SICK LifeTime Services provide support throughout the machine life cycle and ensure safety and productivity.

For us, that is “Sensor Intelligence.”

WORLDWIDE PRESENCE:

Contacts and other locations –www.sick.com