

DSL-M2312-G30MMA3

Sensor-actuator cables

CONNECTORS AND CABLES

SICK
Sensor Intelligence.



Ordering information

Type	part no.
DSL-M2312-G30MMA3	2118592

Other models and accessories → www.sick.com/Sensor-actuator_cables



Detailed technical data

Technical specifications

Connection type head A	Female connector, M23, 12-pin, straight
Connection type head B	Male connector, M12, 12-pin, straight
Locking nut material	Zinc die-cast, nickel-plated
Cable	30 m, 12-wire, PUR, halogen-free
Jacket material	PUR, halogen-free
Jacket color	Black
Cable diameter	7.8 mm
Conductor cross section	4 x 2 x 0.25 mm ² + 2 x 0.5 mm ² + 2 x 0.14 mm ²
Shielding	Shielded
Bending radius	
Stationary position	> 5 x cable diameter
Drag chain operation	> 7.5 x cable diameter
Reference voltage	
	≤ 160 V
Current loading	≤ 7 A
Signal type	Incremental
Application	Zones with oils and lubricants
Enclosure rating	IP66/ IP67

Certificates

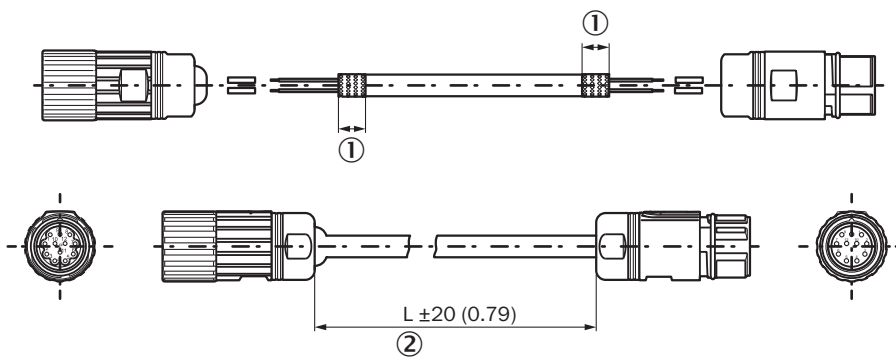
EU declaration of conformity	✓
China RoHS	✓

Classifications

ECLASS 5.0	19030312
ECLASS 5.1.4	19030312
ECLASS 6.0	27060304
ECLASS 6.2	27060304
ECLASS 7.0	27060304
ECLASS 8.0	27060304
ECLASS 8.1	27060304

ECLASS 9.0	27060304
ECLASS 10.0	27060304
ECLASS 11.0	27060304
ECLASS 12.0	27060304
ETIM 5.0	EC000830
ETIM 6.0	EC000830
ETIM 7.0	EC003249
ETIM 8.0	EC003249
UNSPSC 16.0901	26121604

Dimensional drawing



Dimensions in mm (inch)

① Shielding folded

② Length of cable

Female connector M23, 12-pin	Wire colors (cable connection)	Male connector M23, 12-pin
1	Black	1
2	Gray	2
3	Purple	3
4	Yellow	4
5	White	5
6	Brown	6
7	-	7
8	Pink	8
9	Shielding	9
10	Blue	10
11	Green	11
12	Red	12

SICK AT A GLANCE

SICK is one of the leading manufacturers of intelligent sensors and sensor solutions for industrial applications. A unique range of products and services creates the perfect basis for controlling processes securely and efficiently, protecting individuals from accidents and preventing damage to the environment.

We have extensive experience in a wide range of industries and understand their processes and requirements. With intelligent sensors, we can deliver exactly what our customers need. In application centers in Europe, Asia and North America, system solutions are tested and optimized in accordance with customer specifications. All this makes us a reliable supplier and development partner.

Comprehensive services complete our offering: SICK LifeTime Services provide support throughout the machine life cycle and ensure safety and productivity.

For us, that is “Sensor Intelligence.”

WORLDWIDE PRESENCE:

Contacts and other locations –www.sick.com