



# ECU1-2121AAZZZ

Interface modules

INTEGRATION MODULES AND ADAPTERS

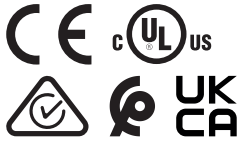
**SICK**  
Sensor Intelligence.



### Ordering information

Type	part no.
ECU1-2121AAZZZ	2118078

Other models and accessories → [www.sick.com/Interface\\_modules](http://www.sick.com/Interface_modules)



### Detailed technical data

#### Features

<b>Product segment</b>	Integration modules and adapters
<b>Product</b>	Interface modules
<b>Description</b>	External, passive control unit with one pushbutton and three LEDs. Cable with male connector M12, 4-pin; cable material: PUR; housing material: plastic, TPU, reinforced; supply voltage: DC 10 V DC ... 30 V DC; current I <sub>max.</sub> : 510 mA; protection class: III (EN 61140); EMC: EN 61000-6-2, EN 61000-6-4; ambient temperature operation: -25 °C ... +55 °C; ambient temperature storage: -25 °C ... +70 °C
<b>Enclosure rating</b>	IP67
<b>Dimensions (W x H x L)</b>	15.9 mm x 9.1 mm x 37.8 mm

#### Certificates

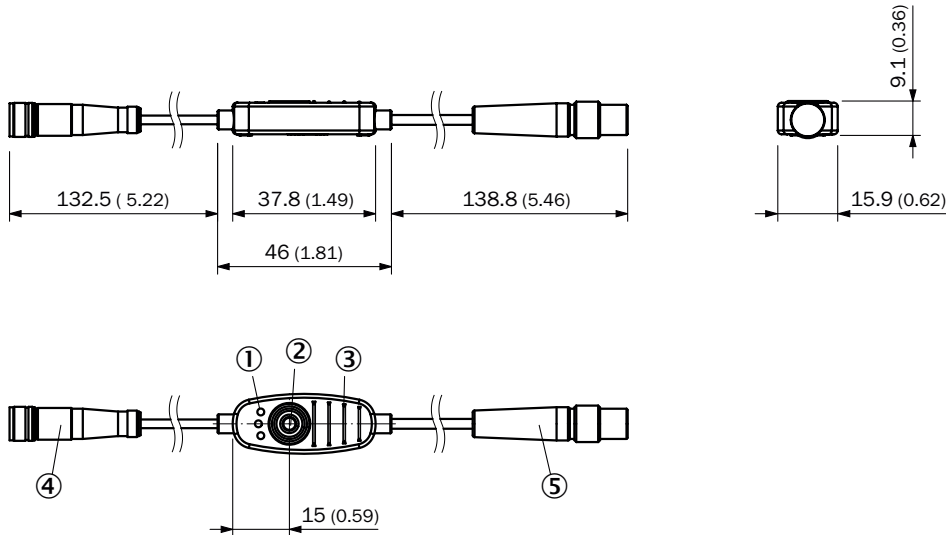
<b>EU declaration of conformity</b>	✓
<b>UK declaration of conformity</b>	✓
<b>ACMA declaration of conformity</b>	✓
<b>Moroccan declaration of conformity</b>	✓
<b>China RoHS</b>	✓
<b>cULus certificate</b>	✓

#### Classifications

<b>ECLASS 5.0</b>	27279214
<b>ECLASS 5.1.4</b>	27279214
<b>ECLASS 6.0</b>	27279214
<b>ECLASS 6.2</b>	27279214
<b>ECLASS 7.0</b>	27279214
<b>ECLASS 8.0</b>	27279214
<b>ECLASS 8.1</b>	27279214
<b>ECLASS 9.0</b>	27242602
<b>ECLASS 10.0</b>	27242602
<b>ECLASS 11.0</b>	27242602
<b>ECLASS 12.0</b>	27242602

<b>ETIM 5.0</b>	EC001597
<b>ETIM 6.0</b>	EC001597
<b>ETIM 7.0</b>	EC001597
<b>ETIM 8.0</b>	EC001597
<b>UNSPSC 16.0901</b>	32151705

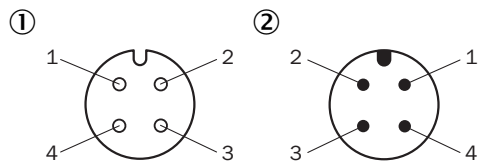
Dimensional drawing



Dimensions in mm (inch)

- ① status LEDs
- ② Teach-in button
- ③ retaining ribs
- ④ cable with female connector
- ⑤ cable with male connector

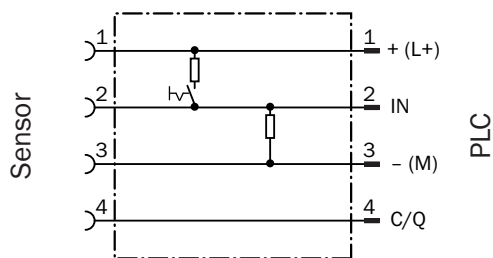
pinouts



Female connector/male connector, M12, 4-pin, A-coded


- ① Sensor
- ② PLC

### Anschlussschema



### Recommended accessories

Other models and accessories → [www.sick.com/Interface\\_modules](http://www.sick.com/Interface_modules)

	Brief description	Type	part no.
Mounting systems			
	<ul style="list-style-type: none"> <li><b>Description:</b> Mounting is by means of the enclosed adhesive pad, 2x M3 countersunk screws or 2x cable ties</li> <li><b>Material:</b> Plastic</li> <li><b>Details:</b> Plastic</li> <li><b>Items supplied:</b> Including double-sided adhesive pad</li> <li><b>Usable for:</b> MPS-G</li> </ul>	BEF-CPMPS-G	2117133

## SICK AT A GLANCE

SICK is one of the leading manufacturers of intelligent sensors and sensor solutions for industrial applications. A unique range of products and services creates the perfect basis for controlling processes securely and efficiently, protecting individuals from accidents and preventing damage to the environment.

We have extensive experience in a wide range of industries and understand their processes and requirements. With intelligent sensors, we can deliver exactly what our customers need. In application centers in Europe, Asia and North America, system solutions are tested and optimized in accordance with customer specifications. All this makes us a reliable supplier and development partner.

Comprehensive services complete our offering: SICK LifeTime Services provide support throughout the machine life cycle and ensure safety and productivity.

For us, that is “Sensor Intelligence.”

## WORLDWIDE PRESENCE:

Contacts and other locations –[www.sick.com](http://www.sick.com)