



FX3-MOC Y-CABLE

Y- and T-splitters

CONNECTORS AND CABLES

SICK
Sensor Intelligence.



Ordering information

| Type | part no. |
|-----------------|----------|
| FX3-MOC Y-CABLE | 2117541 |

Other models and accessories → www.sick.com/Y_and_T-splitters



Detailed technical data

Technical specifications

| | | | | | |
|--------------------------------|--|--------------|-----------------------|---------------------|----------------------|
| Connection type head A | Male connector, Micro D-Sub, 15-pin, angled | | | | |
| Connection type head B | Female connector, M12, 8-pin, straight, A-coded | | | | |
| Connection type head C | Female connector, M12, 8-pin, straight, A-coded | | | | |
| Locking plug connector | Screw connection | | | | |
| Connecting cable | 3.4 m, for details see dimensional drawings, PVC and PP | | | | |
| Cable material | PVC and PP | | | | |
| Cable color | Black | | | | |
| Conductor cross section | AWG28, AWG26 | | | | |
| Cable diameter | 6.6 mm, 6.2 mm | | | | |
| Housing material | Plastic/metal | | | | |
| Housing color | Black | | | | |
| Locking nut material | Steel | | | | |
| Width across flats | Slot | | | | |
| Shielding | Shielded | | | | |
| Bending radius | <table border="0"> <tr> <td style="padding-right: 10px;">Flexible use</td> <td>> 10 x cable diameter</td> </tr> <tr> <td>Stationary position</td> <td>> 5 x cable diameter</td> </tr> </table> | Flexible use | > 10 x cable diameter | Stationary position | > 5 x cable diameter |
| Flexible use | > 10 x cable diameter | | | | |
| Stationary position | > 5 x cable diameter | | | | |
| Operating temperature | -25 °C ... +80 °C, stationary position -10 °C ... +80 °C, flexible use | | | | |
| Description | Y-cable to connect a Flexi Soft Motion Control Module FX3-MOC with two encoders (HTL, TTL, Sin/Cos, SSI). | | | | |

Certificates

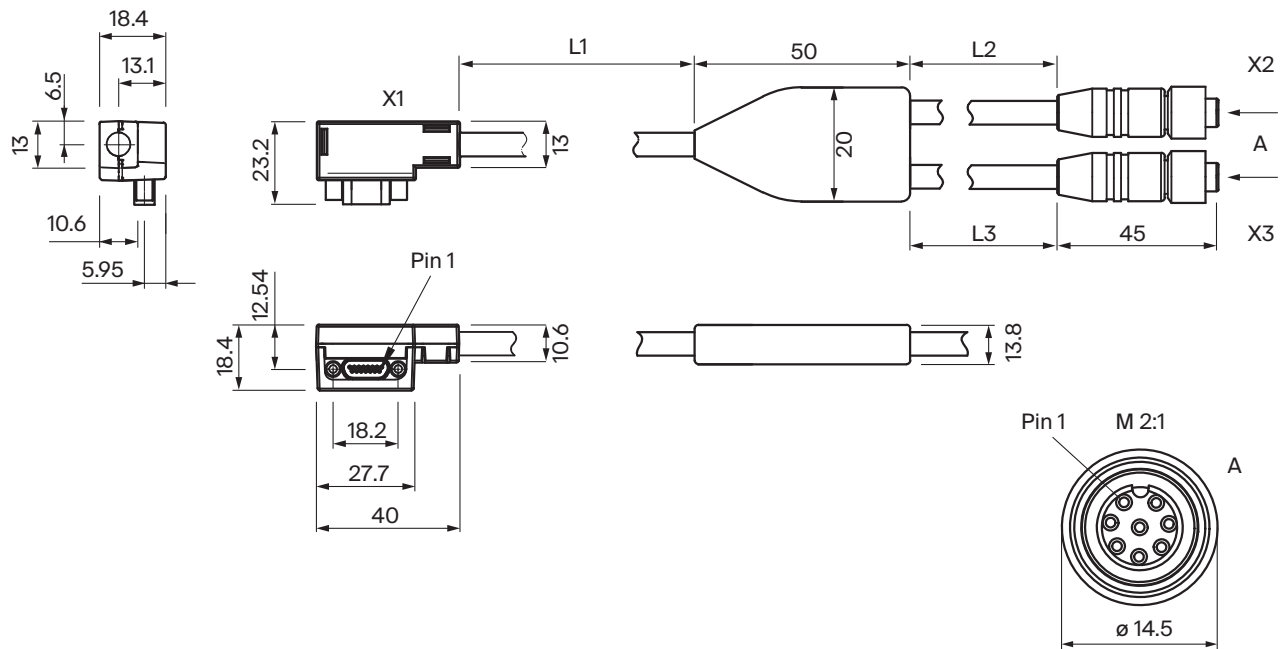
| | |
|-------------------------------------|---|
| EU declaration of conformity | ✓ |
| UK declaration of conformity | ✓ |

Classifications

| | |
|---------------------|----------|
| ECLASS 5.0 | 19030312 |
| ECLASS 5.1.4 | 19030312 |
| ECLASS 6.0 | 27060304 |
| ECLASS 6.2 | 27060304 |
| ECLASS 7.0 | 27060304 |

| | |
|-----------------------|----------|
| ECLASS 8.0 | 27060304 |
| ECLASS 8.1 | 27060304 |
| ECLASS 9.0 | 27060304 |
| ECLASS 10.0 | 27060304 |
| ECLASS 11.0 | 27060304 |
| ECLASS 12.0 | 27060304 |
| ETIM 5.0 | EC000830 |
| ETIM 6.0 | EC000830 |
| ETIM 7.0 | EC003249 |
| ETIM 8.0 | EC003249 |
| UNSPSC 16.0901 | 26121604 |

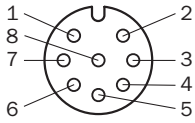
Dimensional drawing And cable lengths L1 / L2 / L3 (click on and scroll down)



Dimensions in mm (inch)

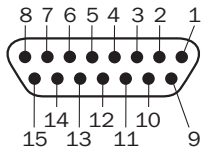
| Part no. | L1 | L2 | L3 |
|----------|-------|-------|-------|
| 2071072 | 100 | 750 | 750 |
| 2094381 | 210 | 210 | 410 |
| 2100634 | 210 | 2.735 | 2.735 |
| 2116199 | 160 | 140 | 140 |
| 2117540 | 1.900 | 490 | 270 |
| 2117541 | 2.700 | 690 | 190 |
| 2121172 | 100 | 950 | 950 |
| 2123169 | 250 | 260 | 260 |

pin assignment (click on and scroll down)



| Head A | | Head B | | | | | | | Head C | | | | | | |
|-------------------------------------|-------------|--------------------------------------|---------------------|-------------|--|-------------------------------------|-------------------------|-------------------------------------|--------------------------------------|---------------------|-------------------------|--|-------------------------------------|-------------------------|--------|
| Male connector, Micro D-Sub, 15-pin | | Female connector M12, 8-pin, A-coded | | | | | | | Female connector M12, 8-pin, A-coded | | | | | | |
| Head A for connection to FX3-MOC | | Head B for connection to encoder E1 | Sin/cos encoder | | A/B incremental encoder | | SSI encoder | Head C for connection to encoder E2 | Sin/cos encoder | | A/B incremental encoder | | SSI encoder | | |
| Pin | Designation | Pin | Sin/Cos | HIPER-FACE® | 2 output pairs (HTL 24 V, HTL 12 V, TTL) | 2 outputs (HTL 24 V, HTL 12 V, TTL) | 2 output pairs (RS-422) | SSI | Pin | Sin/Cos | HIPER-FACE® | 2 output pairs (HTL 24 V, HTL 12 V, TTL) | 2 outputs (HTL 24 V, HTL 12 V, TTL) | 2 output pairs (RS-422) | SSI |
| 1 | ENC1_A+ | 2 | Cos+ | Cos | A+ | A | A+ | Data+ | - | - | - | - | - | - | - |
| 2 | ENC1_B+ | 4 | Sin+ | Sin | B+ | B | - | - | - | - | - | - | - | - | - |
| 3 | ENC1_C+ | 5 | - | - | - | - | B+ | Clock+ | - | - | - | - | - | - | - |
| 4 | ENC1_24V | 8 | 24 V supply voltage | | | | | | - | - | - | - | - | - | - |
| 5 | ENC2_24V | - | - | - | - | - | - | - | 8 | 24 V supply voltage | | | | | |
| 6 | ENC2_C+ | - | - | - | - | - | - | - | 5 | - | - | - | - | - | Clock+ |
| 7 | ENC2_B+ | - | - | - | - | - | - | - | 4 | Sin+ | Sin | B- | B | - | - |
| 8 | ENC2_A+ | - | - | - | - | - | - | - | 2 | Cos+ | Cos | A+ | A | - | Data+ |
| 9 | ENC1_A- | 1 | Cos- | Cos_Ref | A- | GND | A- | Data- | - | - | - | - | - | - | - |
| 10 | ENC1_B- | 3 | Sin- | Sin_Ref | B- | GND | - | - | - | - | - | - | - | - | - |
| 11 | ENC1_C- | 6 | - | - | - | - | B- | Clock- | - | - | - | - | - | - | - |
| 12 | ENC_0V | 7 | GND supply voltage | | | | | | - | - | - | - | - | - | - |
| 13 | ENC2_C- | - | - | - | - | - | - | - | 6 | - | - | - | - | - | Clock- |
| 14 | ENC2_B- | - | - | - | - | - | - | - | 3 | Sin- | Sin_Ref | B+ | GND | - | - |
| 15 | ENC2_A- | - | - | - | - | - | - | - | 1 | Cos- | Cos_Ref | A- | GND | - | Data- |

pin assignment (click on and scroll down)



| Head A | | Head B | | | | | | | Head C | | | | | | | | |
|-------------------------------------|-------------|--------------------------------------|---------------------|-------------------------|---|-----|-------------------------|-------------------------------------|--------------------------------------|-------------------------|--------------------|---|-------------|-------------------------|--------|--|--|
| Male connector, Micro D-Sub, 15-pin | | Female connector M12, 8-pin, A-coded | | | | | | | Female connector M12, 8-pin, A-coded | | | | | | | | |
| Head A for connection to FX3-MOC | | Head B for connection to encoder E1 | Sin/cos encoder | A/B incremental encoder | | | SSI encoder | Head C for connection to encoder E2 | Sin/cos encoder | A/B incremental encoder | | | SSI encoder | | | | |
| Pin | Designation | Pin | Sin/Cos | HIPER-FACE® | 2 output pairs (HTL 24 V (HTL 24 V, HTL 12 V, TTL)) | | 2 output pairs (RS-422) | SSI | Pin | Sin/Cos | HIPER-FACE® | 2 output pairs (HTL 24 V (HTL 24 V, HTL 12 V, TTL)) | | 2 output pairs (RS-422) | SSI | | |
| 1 | ENC1_A+ | 2 | Cos+ | Cos | A+ | A | A+ | Data+ | - | - | - | - | - | - | - | | |
| 2 | ENC1_B+ | 4 | Sin+ | Sin | B+ | B | - | - | - | - | - | - | - | - | - | | |
| 3 | ENC1_C+ | 5 | - | - | - | - | B+ | Clock+ | - | - | - | - | - | - | - | | |
| 4 | ENC1_24V | 8 | 24 V supply voltage | | | | | | | - | - | - | - | - | - | | |
| 5 | ENC2_24V | - | - | - | - | - | - | - | 8 | 24 V supply voltage | | | | | | | |
| 6 | ENC2_C+ | - | - | - | - | - | - | - | 5 | - | - | - | - | - | Clock+ | | |
| 7 | ENC2_B+ | - | - | - | - | - | - | - | 4 | Sin+ | Sin | B- | B | - | - | | |
| 8 | ENC2_A+ | - | - | - | - | - | - | - | 2 | Cos+ | Cos | A+ | A | - | Data+ | | |
| 9 | ENC1_A- | 1 | Cos- | Cos_Ref | A- | GND | A- | Data- | - | - | - | - | - | - | - | | |
| 10 | ENC1_B- | 3 | Sin- | Sin_Ref | B- | GND | - | - | - | - | - | - | - | - | - | | |
| 11 | ENC1_C- | 6 | - | - | - | - | B- | Clock- | - | - | - | - | - | - | - | | |
| 12 | ENC_OV | 7 | GND supply voltage | | | | | | | 7 | GND supply voltage | | | | | | |
| 13 | ENC2_C- | - | - | - | - | - | - | - | 6 | - | - | - | - | - | Clock- | | |
| 14 | ENC2_B- | - | - | - | - | - | - | - | 3 | Sin- | Sin_Ref | B+ | GND | - | - | | |
| 15 | ENC2_A- | - | - | - | - | - | - | - | 1 | Cos- | Cos_Ref | A- | GND | - | Data- | | |

SICK AT A GLANCE

SICK is one of the leading manufacturers of intelligent sensors and sensor solutions for industrial applications. A unique range of products and services creates the perfect basis for controlling processes securely and efficiently, protecting individuals from accidents and preventing damage to the environment.

We have extensive experience in a wide range of industries and understand their processes and requirements. With intelligent sensors, we can deliver exactly what our customers need. In application centers in Europe, Asia and North America, system solutions are tested and optimized in accordance with customer specifications. All this makes us a reliable supplier and development partner.

Comprehensive services complete our offering: SICK LifeTime Services provide support throughout the machine life cycle and ensure safety and productivity.

For us, that is “Sensor Intelligence.”

WORLDWIDE PRESENCE:

Contacts and other locations –www.sick.com