



BEF-CPMPS-G

Brackets

MOUNTING SYSTEMS

SICK
Sensor Intelligence.



Ordering information

Type	part no.
BEF-CPMPS-G	2117133

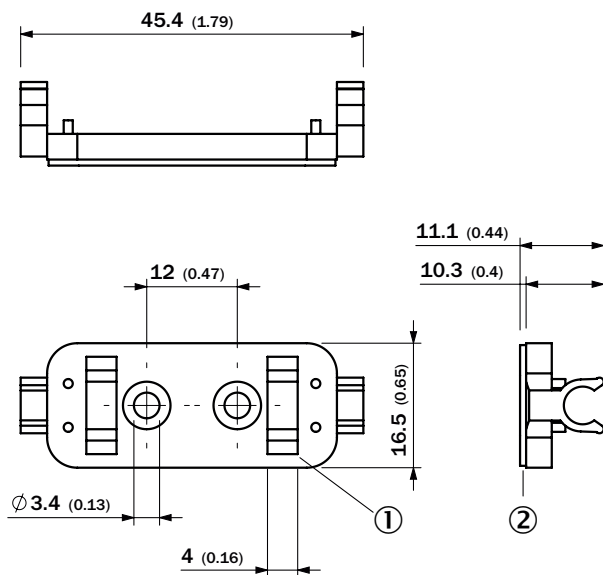
Other models and accessories → www.sick.com/Brackets

Detailed technical data

Features

Accessory group	Mounting systems
Accessory family	Brackets
Description	Mounting is by means of the enclosed adhesive pad, 2x M3 countersunk screws or 2x cable ties
Material	Plastic
Items supplied	Including double-sided adhesive pad
Specialty	Mounting bracket for mounting cylinder sensors
Ambient operating temperature	-20 °C ... +70 °C
Usable for	MPS-G

Dimensional drawing



Dimensions in mm (inch)
 ① Slot for fastening cable tie
 ② Adhesive pad

SICK AT A GLANCE

SICK is one of the leading manufacturers of intelligent sensors and sensor solutions for industrial applications. A unique range of products and services creates the perfect basis for controlling processes securely and efficiently, protecting individuals from accidents and preventing damage to the environment.

We have extensive experience in a wide range of industries and understand their processes and requirements. With intelligent sensors, we can deliver exactly what our customers need. In application centers in Europe, Asia and North America, system solutions are tested and optimized in accordance with customer specifications. All this makes us a reliable supplier and development partner.

Comprehensive services complete our offering: SICK LifeTime Services provide support throughout the machine life cycle and ensure safety and productivity.

For us, that is “Sensor Intelligence.”

WORLDWIDE PRESENCE:

Contacts and other locations –www.sick.com