



Electrical protective hood for outdoorScan3 / microScan3

Protective housing

DEVICE PROTECTION AND CARE

SICK
Sensor Intelligence.



Illustration may differ

Ordering information

Type	part no.
Electrical protective hood for outdoorScan3 / microScan3	2116001

Other models and accessories → www.sick.com/Protective_housing

Detailed technical data

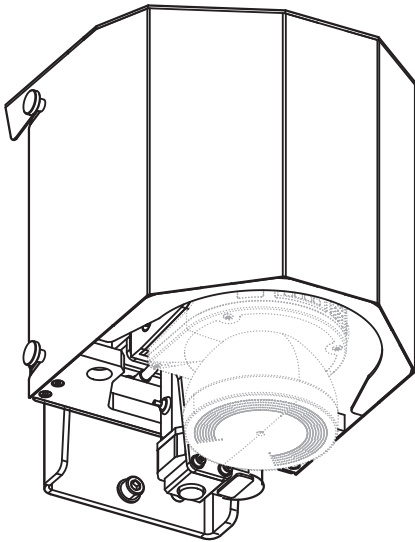
Features

Product segment	Device protection and care
Product	Protective housing
Suitable for	Outdoor use for protecting the outdoorScan3 and microScan3. Applications intended to protect the sensor system when not in use.
Items supplied	Protection hood, bracket, electric actuator, mounting instructions, operating instructions available for download at www.sick.com
Material	Stainless steel, aluminum
Packing unit	1 piece
Ambient operating temperature	-25 °C ... +50 °C ¹⁾
Housing color	Silver
Dimensions (W x H x L)	217 mm x 232 mm x 284 mm (incl. bracket) ²⁾
Weight	6.5 kg

¹⁾ See oS3/MICS3 operating instructions.

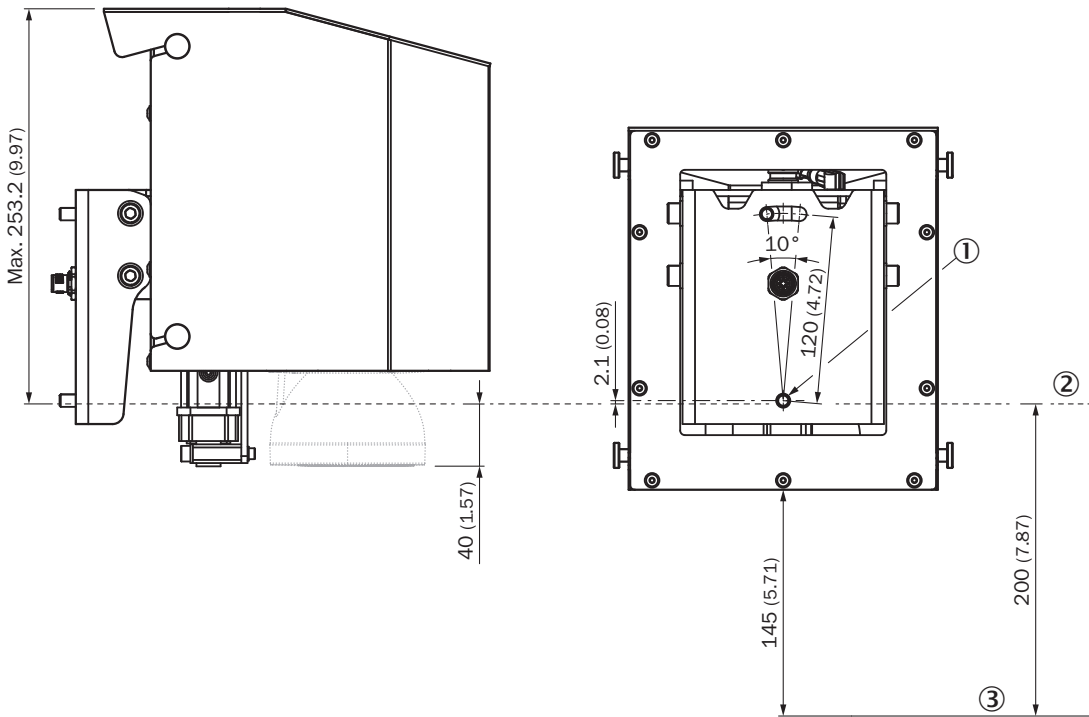
²⁾ Dimensions are for optics cover without scanner (or closed state).

Dimensional drawing



Dimensions in mm (inch)

Dimensional drawing



Dimensions in mm (inch)
Protection hood electrical, S3 / MICS3

SICK AT A GLANCE

SICK is one of the leading manufacturers of intelligent sensors and sensor solutions for industrial applications. A unique range of products and services creates the perfect basis for controlling processes securely and efficiently, protecting individuals from accidents and preventing damage to the environment.

We have extensive experience in a wide range of industries and understand their processes and requirements. With intelligent sensors, we can deliver exactly what our customers need. In application centers in Europe, Asia and North America, system solutions are tested and optimized in accordance with customer specifications. All this makes us a reliable supplier and development partner.

Comprehensive services complete our offering: SICK LifeTime Services provide support throughout the machine life cycle and ensure safety and productivity.

For us, that is “Sensor Intelligence.”

WORLDWIDE PRESENCE:

Contacts and other locations –www.sick.com