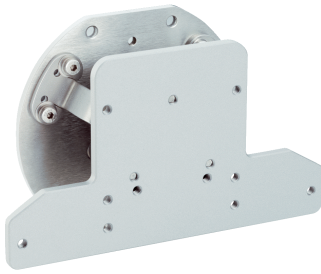


# Mounting kit with shock absorber 2

Brackets

**MOUNTING SYSTEMS**

**SICK**  
Sensor Intelligence.



### Ordering information

Type	part no.
Mounting kit with shock absorber 2	2110804

Other models and accessories → [www.sick.com/Brackets](http://www.sick.com/Brackets)

### Detailed technical data

#### Features

<b>Accessory group</b>	Mounting systems
<b>Accessory family</b>	Brackets
<b>Description</b>	Mounting kit with shock absorber for MRS1000, LMS1000 with an absorber Shore hardness of 85. Only for use without weather protection hood. Always use mounting kit 1a 2093194.
<b>Suitable for</b>	MRS1000, LMS1000
<b>Material</b>	Aluminum (anodised), plastic
<b>Weight</b>	Approx. 900 g
<b>Vibration resistance</b>	
Sine resonance scan, sine test, noise test	10 Hz, 10 Hz, 10 Hz ... 1,000 Hz, 500 Hz, 250 Hz, 5 g, 4.24 g RMS, 10 frequency cycles, 5 h <sup>1) 1) 2)</sup>
<b>Shock resistance</b>	50 g, 11 ms, ± 3 single shocks/axis <sup>3)</sup> 25 g, 6 ms, ± 1,000 continuous shocks/axis <sup>3)</sup> 50 g, 3 ms, ± 5,000 continuous shocks/axis <sup>3)</sup>
<b>Mounting system type</b>	Mounting bracket

<sup>1)</sup> IEC 60068-2-6:2007.

<sup>2)</sup> IEC 60068-2-64:2008.

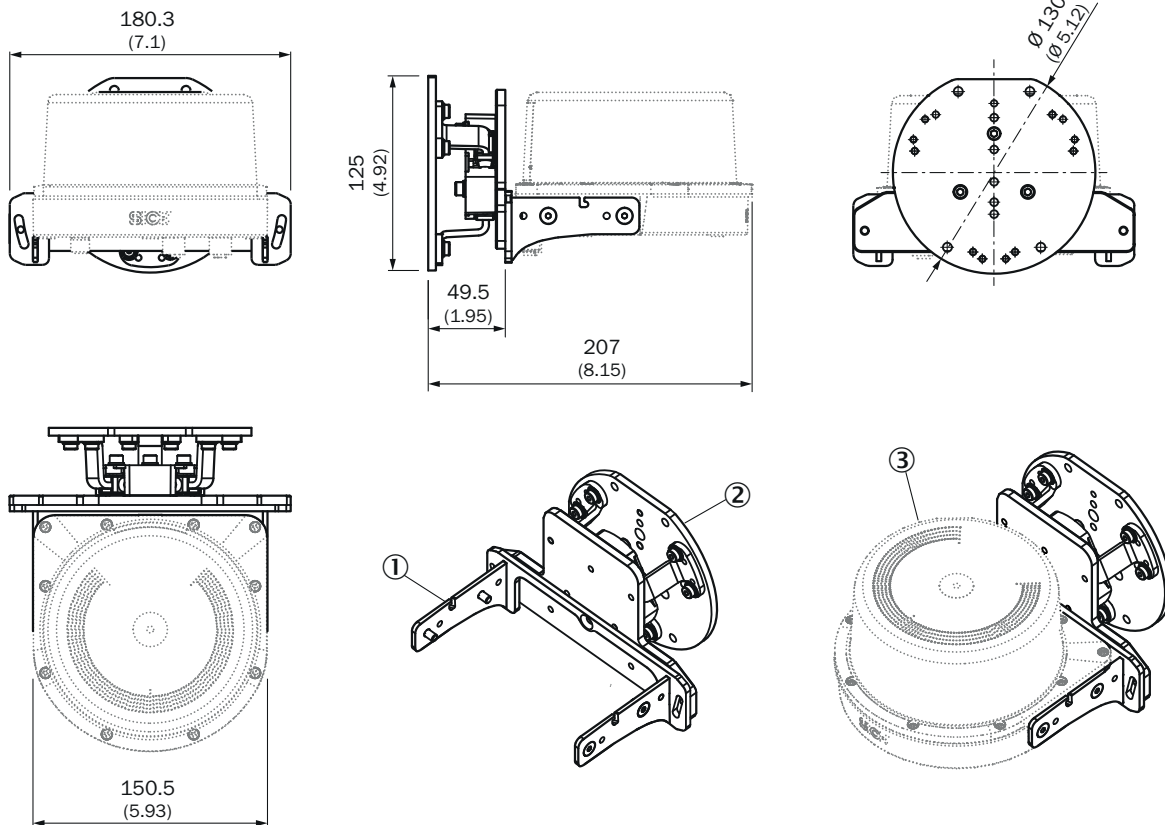
<sup>3)</sup> IEC 60068-2-27:2008.

#### Classifications

<b>ECLASS 5.0</b>	27279202
<b>ECLASS 5.1.4</b>	27279202
<b>ECLASS 6.0</b>	27279202
<b>ECLASS 6.2</b>	27279202
<b>ECLASS 7.0</b>	27279202
<b>ECLASS 8.0</b>	27279202
<b>ECLASS 8.1</b>	27279202
<b>ECLASS 9.0</b>	27273701
<b>ECLASS 10.0</b>	27273701
<b>ECLASS 11.0</b>	27273701
<b>ECLASS 12.0</b>	27273701
<b>ETIM 5.0</b>	EC002615
<b>ETIM 6.0</b>	EC002615

<b>ETIM 7.0</b>	EC002615
<b>ETIM 8.0</b>	EC002615
<b>UNSPSC 16.0901</b>	32131023

### Dimensional drawing



Dimensions in mm (inch)

- ① Single mount (2093194), (not included)
- ② Mounting bracket
- ③ MRS1000 / LMS1000 / LRS4000 (not included)

## SICK AT A GLANCE

SICK is one of the leading manufacturers of intelligent sensors and sensor solutions for industrial applications. A unique range of products and services creates the perfect basis for controlling processes securely and efficiently, protecting individuals from accidents and preventing damage to the environment.

We have extensive experience in a wide range of industries and understand their processes and requirements. With intelligent sensors, we can deliver exactly what our customers need. In application centers in Europe, Asia and North America, system solutions are tested and optimized in accordance with customer specifications. All this makes us a reliable supplier and development partner.

Comprehensive services complete our offering: SICK LifeTime Services provide support throughout the machine life cycle and ensure safety and productivity.

For us, that is “Sensor Intelligence.”

## WORLDWIDE PRESENCE:

Contacts and other locations –[www.sick.com](http://www.sick.com)