

SICK

DOL-1208-G02MAS01

Other connectors and cables

CONNECTORS AND CABLES

SICK
Sensor Intelligence.



Ordering information

Type	part no.
DOL-1208-G02MAS01	2094930

Other models and accessories → www.sick.com/Other_connectors_and_cables



Detailed technical data

Technical specifications

Connection type head A	Female connector, M12, 8-pin, straight
Connection type head B	Flying leads
Connection type	IDC quick connection
Locking nut material	Zinc die-cast, nickel-plated
Cable	PUR, halogen-free
Jacket material	PUR, halogen-free
Jacket color	Black
Cable diameter	6.1 mm
Conductor cross section	0.15 mm ² , 4 x 2 x 0.15 mm ²
Shielding	Shielded
Bending radius	
Flexible use	> 15 x cable diameter
Stationary position	> 5 x cable diameter
Bending cycles	Approx. 5,000,000
Reference voltage	≤ 30 V
Traversing speed	Max. 3 m/s
Acceleration	≤ 5 m/s ²
Note	General UV resistance of the cable, general salt water resistance
Enclosure rating	IP67
Operating temperature	
Stationary position	-30 °C ... +85 °C

Certificates

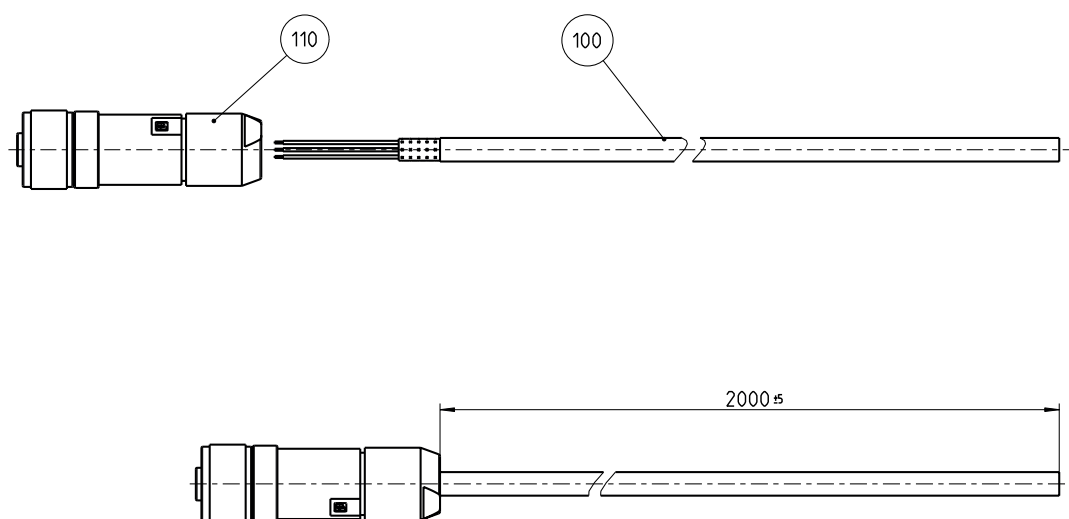
EU declaration of conformity	✓
China RoHS	✓

Classifications

ECLASS 5.0	19030312
ECLASS 5.1.4	19030312
ECLASS 6.0	27060304

ECLASS 6.2	27060304
ECLASS 7.0	27060304
ECLASS 8.0	27060304
ECLASS 8.1	27060304
ECLASS 9.0	27060304
ECLASS 10.0	27060304
ECLASS 11.0	27060304
ECLASS 12.0	27060304
ETIM 5.0	EC000830
ETIM 6.0	EC000830
ETIM 7.0	EC003249
ETIM 8.0	EC003249
UNSPSC 16.0901	26121604

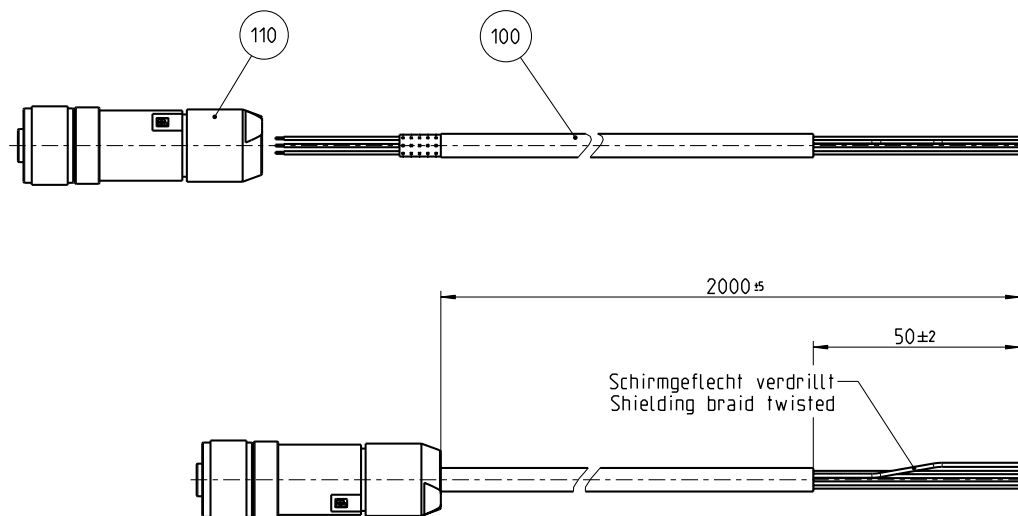
Dimensional drawing Option 3: open cable end, not stripped, insulation not removed



Nicht spezifizierete Konfektionierungen entsprechend Herstellerangaben der jeweiligen Anschlußkomponente !
 (Not specified packagings according to manufacturers instructions respective connection component !)

Dimensions in mm (inch)

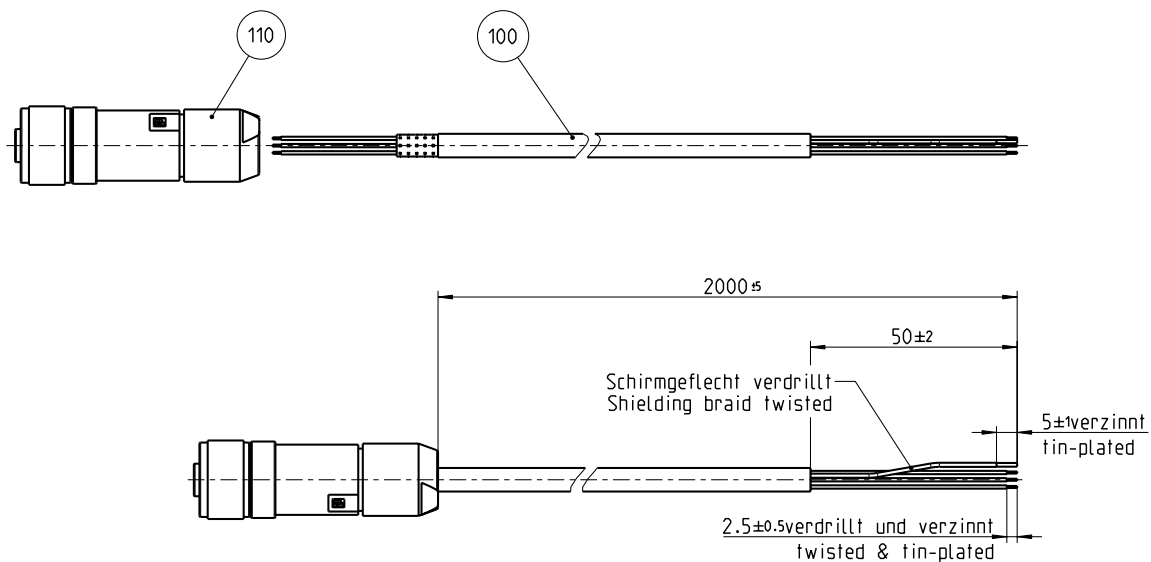
Dimensional drawing Option 2: open cable end, stripped



Nicht spezifizierete Konfektionierungen entsprechend
Herstellerangaben der jeweiligen Anschlußkomponente !
(Not specified packagings according to manufacturers instructions
respective connection component !)

Dimensions in mm (inch)

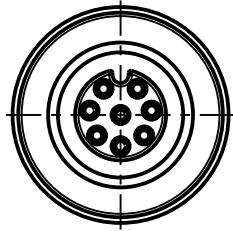
Dimensional drawing Option 1: open cable end, stripped and insulation removed



Nicht spezifizierte Konfektionierungen entsprechend Herstellerangaben der jeweiligen Anschlußkomponente !
 (Not specified packagings according to manufacturers instructions respective connection component !)

Dimensions in mm (inch)

PIN assignment



Farbe/Colour	Stecker/Connector Pos. 110	Signal
blau/blue	7	GND
rot/red	8	Us
weiß/white	2	A
braun/brown	1	A-
pink/pink	4	B
schwarz/black	3	B-
lila/violet	6	Z
gelb/yellow	5	Z-

SICK AT A GLANCE

SICK is one of the leading manufacturers of intelligent sensors and sensor solutions for industrial applications. A unique range of products and services creates the perfect basis for controlling processes securely and efficiently, protecting individuals from accidents and preventing damage to the environment.

We have extensive experience in a wide range of industries and understand their processes and requirements. With intelligent sensors, we can deliver exactly what our customers need. In application centers in Europe, Asia and North America, system solutions are tested and optimized in accordance with customer specifications. All this makes us a reliable supplier and development partner.

Comprehensive services complete our offering: SICK LifeTime Services provide support throughout the machine life cycle and ensure safety and productivity.

For us, that is “Sensor Intelligence.”

WORLDWIDE PRESENCE:

Contacts and other locations –www.sick.com