



Mounting kit 1a

Brackets

MOUNTING SYSTEMS

SICK
Sensor Intelligence.



Illustration may differ

Ordering information

Type	part no.
Mounting kit 1a	2093194

Other models and accessories → www.sick.com/Brackets

Detailed technical data

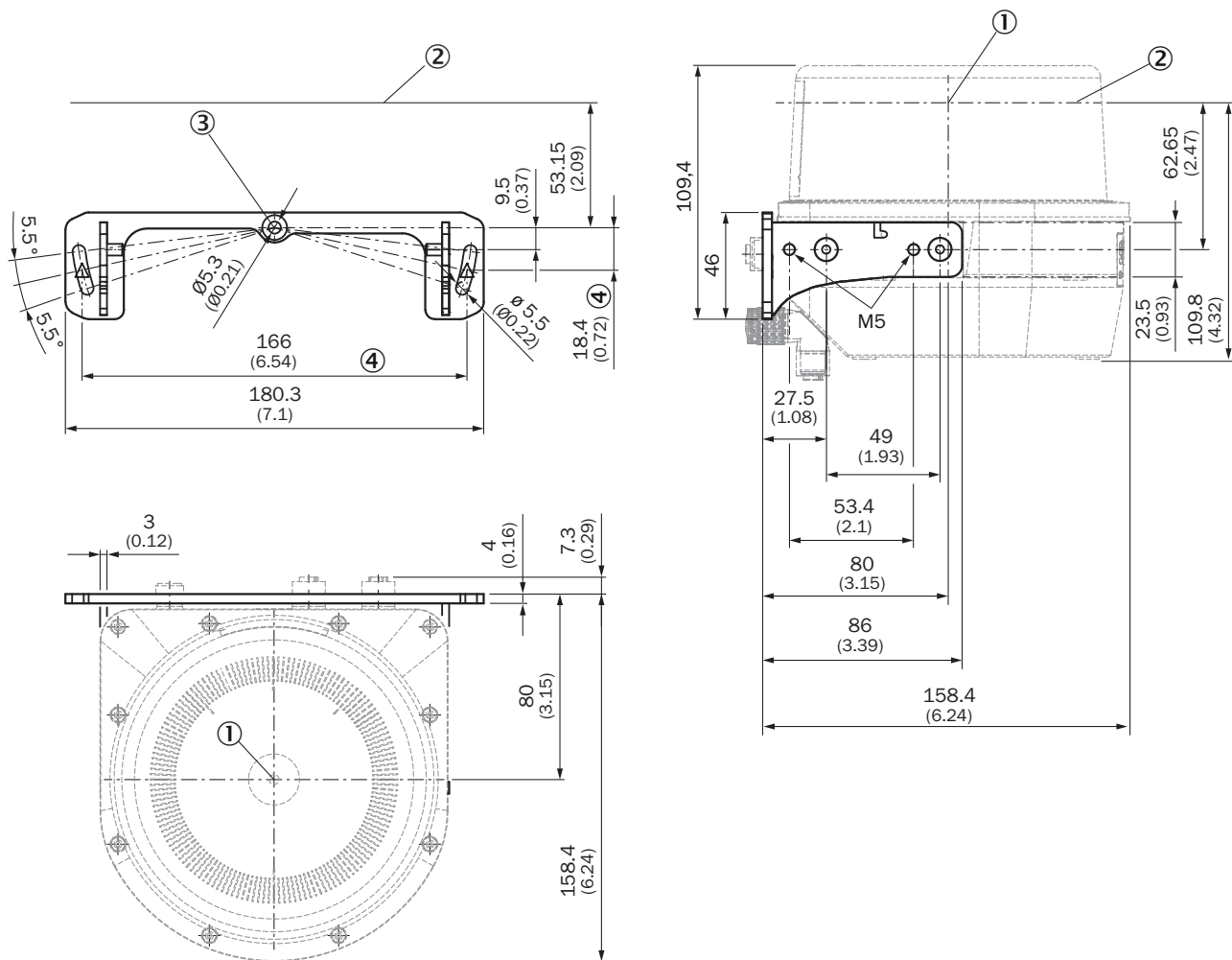
Features

Accessory group	Mounting systems
Accessory family	Brackets
Description	Easy Mount
Suitable for	LMS1000, MRS1000, LRS4000
Material	X6CRNITI1810 (1.4541)
Items supplied	Mounting kit 1a (2034324) 4 x M5 x 10 countersunk screws, stainless steel
Dimensions (W x H x L)	86 mm x 46 mm x 180 mm
Weight	195 g
Mounting system type	Mounting bracket

Classifications

ECLASS 5.0	27279202
ECLASS 5.1.4	27279202
ECLASS 6.0	27279202
ECLASS 6.2	27279202
ECLASS 7.0	27279202
ECLASS 8.0	27279202
ECLASS 8.1	27279202
ECLASS 9.0	27273701
ECLASS 10.0	27273701
ECLASS 11.0	27273701
ECLASS 12.0	27273701
ETIM 5.0	EC002024
ETIM 6.0	EC002024
ETIM 7.0	EC002024
ETIM 8.0	EC002024
UNSPSC 16.0901	32131023

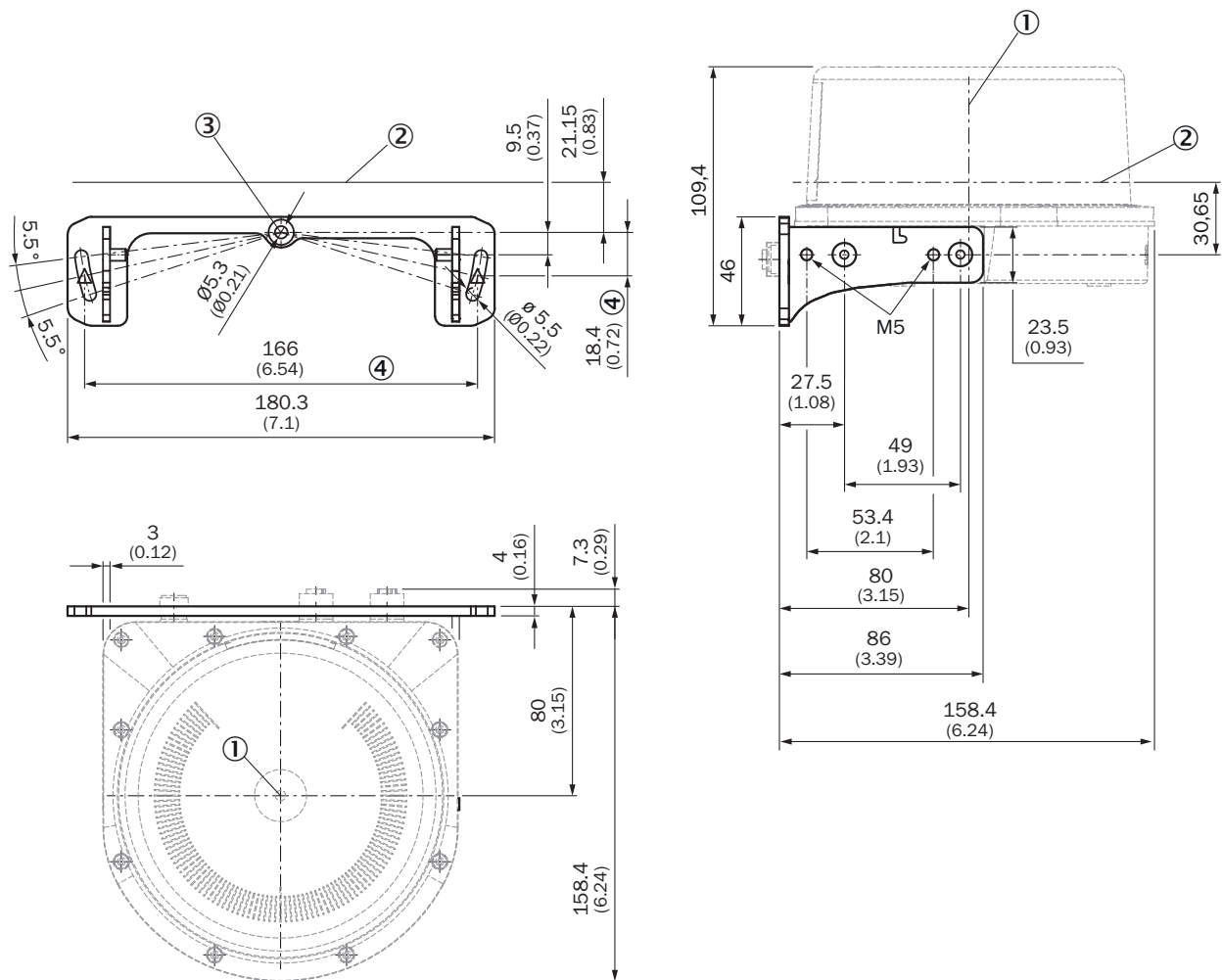
Dimensional drawing



Dimensions in mm (inch)

- ① Scan axis
- ② Scan plane 0°
- ③ Rotation axis
- ④ Tapped hole for countersunk screw M5

Dimensional drawing Mounting bracket



Dimensions in mm (inch)

- ① Scan axis
- ② Scan plane 0°
- ③ Rotation axis
- ④ Tapped hole for countersunk screw M5

SICK AT A GLANCE

SICK is one of the leading manufacturers of intelligent sensors and sensor solutions for industrial applications. A unique range of products and services creates the perfect basis for controlling processes securely and efficiently, protecting individuals from accidents and preventing damage to the environment.

We have extensive experience in a wide range of industries and understand their processes and requirements. With intelligent sensors, we can deliver exactly what our customers need. In application centers in Europe, Asia and North America, system solutions are tested and optimized in accordance with customer specifications. All this makes us a reliable supplier and development partner.

Comprehensive services complete our offering: SICK LifeTime Services provide support throughout the machine life cycle and ensure safety and productivity.

For us, that is “Sensor Intelligence.”

WORLDWIDE PRESENCE:

Contacts and other locations –www.sick.com