

Tube for heavy-duty protective housing

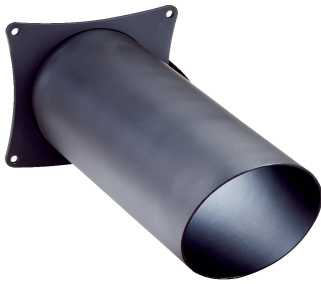
Protective caps and hoods

DEVICE PROTECTION AND CARE

SICK
Sensor Intelligence.

Tube for heavy-duty protective housing | Protective caps and hoods

DEVICE PROTECTION AND CARE



Ordering information

Type	part no.
Tube for heavy-duty protective housing	2087694

Other models and accessories → www.sick.com/Protective_caps_and_hoods

Detailed technical data

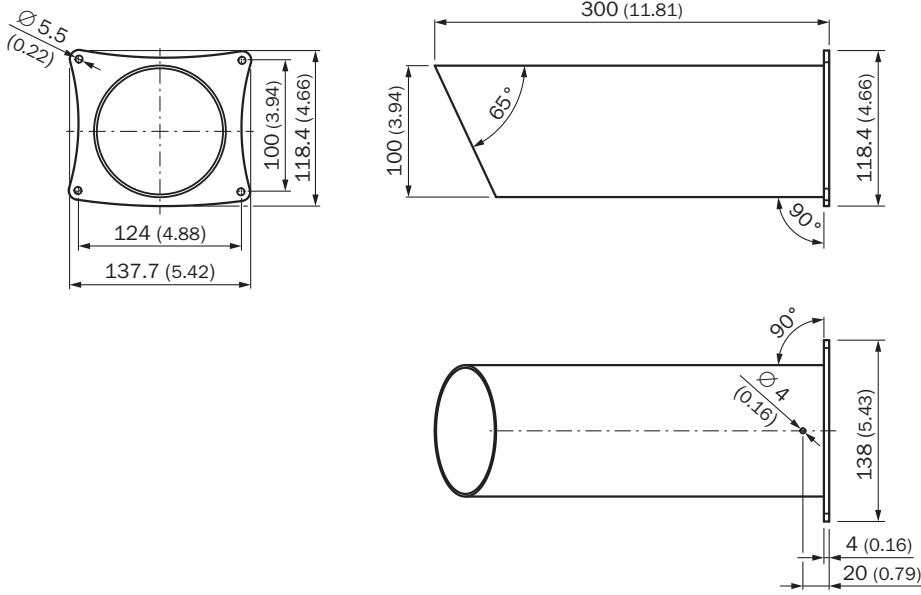
Features

Product segment	Device protection and care
Product	Protective caps and hoods
Description	Dust shield for heavy-duty protective housing
Material	Aluminum
Weight	0.5 kg

Classifications

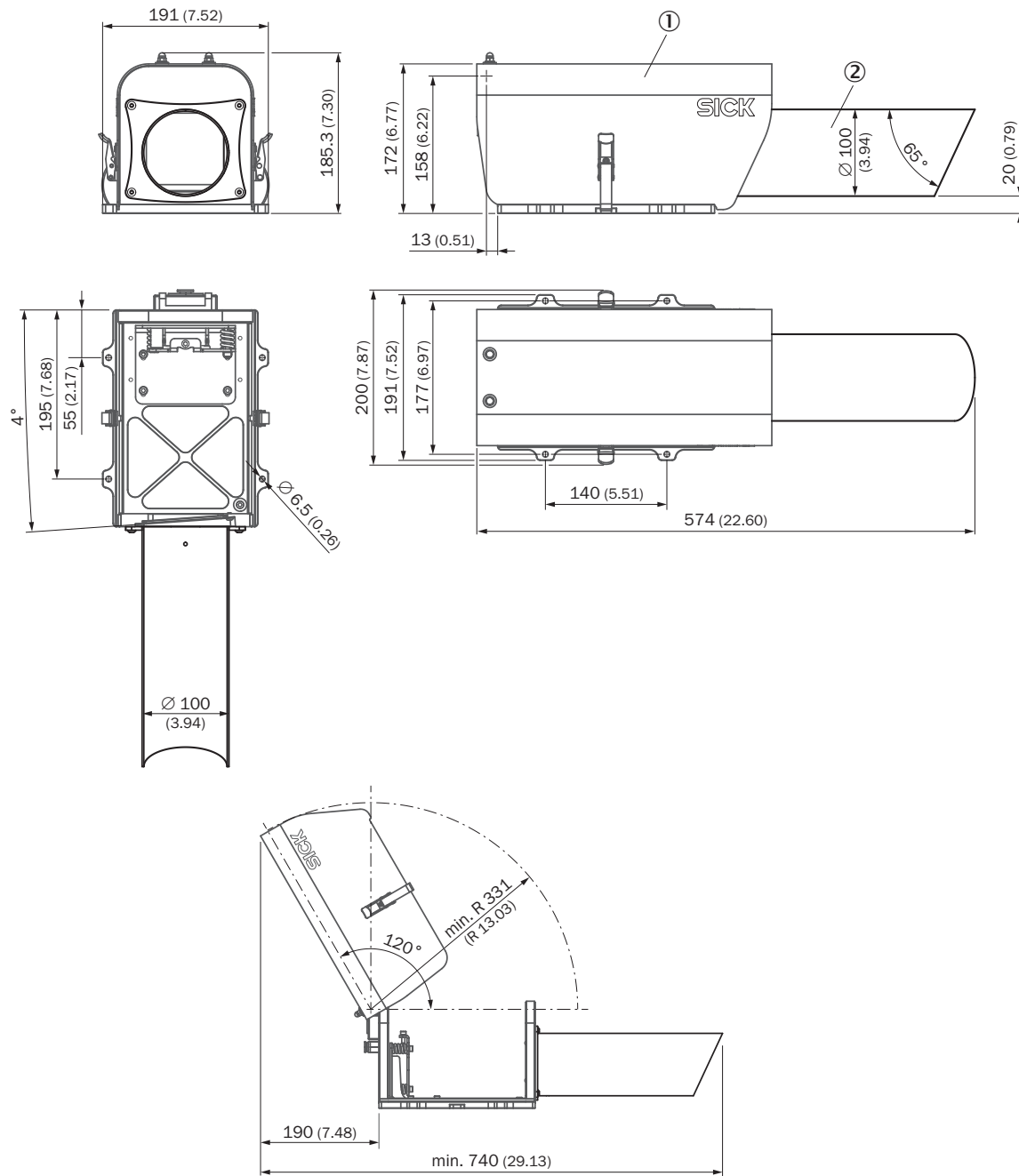
ECLASS 5.0	27279202
ECLASS 5.1.4	27279202
ECLASS 6.0	27279202
ECLASS 6.2	27279202
ECLASS 7.0	27279202
ECLASS 8.0	27279202
ECLASS 8.1	27279202
ECLASS 9.0	27273701
ECLASS 10.0	27273701
ECLASS 11.0	27273701
ECLASS 12.0	27273701
ETIM 5.0	EC000200
ETIM 6.0	EC000200
ETIM 7.0	EC000200
ETIM 8.0	EC000200
UNSPSC 16.0901	32131023

Dimensional drawing Tube



Dimensions in mm (inch)

Dimensional drawing Heavy-duty protective housing with tube

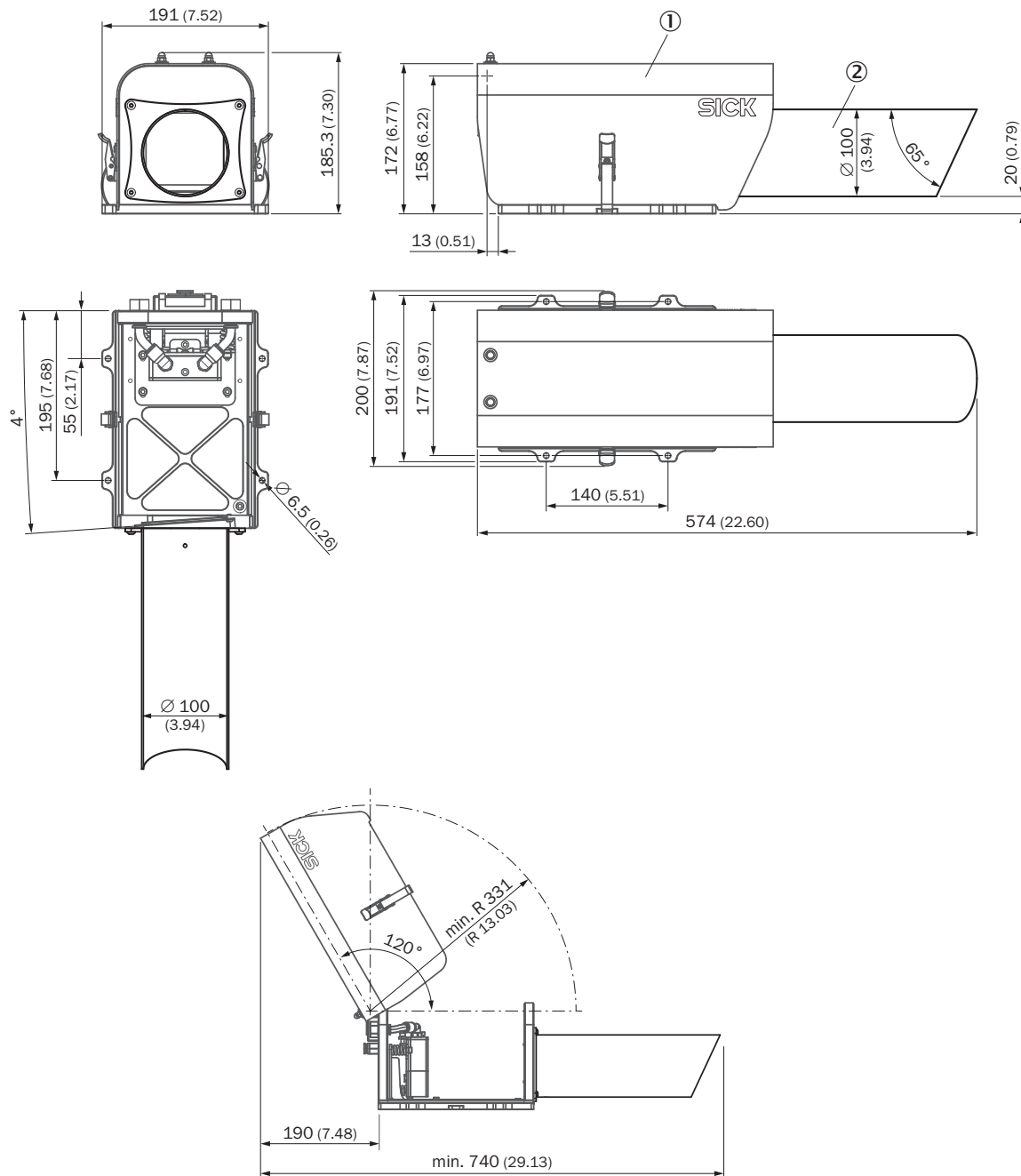


Dimensions in mm (inch)

① Heavy-duty protective housing (part number 2087691)

② Tube for heavy-duty protective housing (part number 2087694)

Dimensional drawing Heavy-duty protective housing with water cooling and tube



Dimensions in mm (inch)

① Heavy-duty protective housing with water cooling (part number 2087692)

② Tube for heavy-duty protective housing (part number 2087694)

SICK AT A GLANCE

SICK is one of the leading manufacturers of intelligent sensors and sensor solutions for industrial applications. A unique range of products and services creates the perfect basis for controlling processes securely and efficiently, protecting individuals from accidents and preventing damage to the environment.

We have extensive experience in a wide range of industries and understand their processes and requirements. With intelligent sensors, we can deliver exactly what our customers need. In application centers in Europe, Asia and North America, system solutions are tested and optimized in accordance with customer specifications. All this makes us a reliable supplier and development partner.

Comprehensive services complete our offering: SICK LifeTime Services provide support throughout the machine life cycle and ensure safety and productivity.

For us, that is “Sensor Intelligence.”

WORLDWIDE PRESENCE:

Contacts and other locations –www.sick.com