



# Heavy-duty protective housing with cooling

Protective housing

DEVICE PROTECTION AND CARE

**SICK**  
Sensor Intelligence.



Illustration may differ

### Ordering information

Type	part no.
Heavy-duty protective housing with cooling	2087692

Other models and accessories → [www.sick.com/Protective\\_housing](http://www.sick.com/Protective_housing)

### Detailed technical data

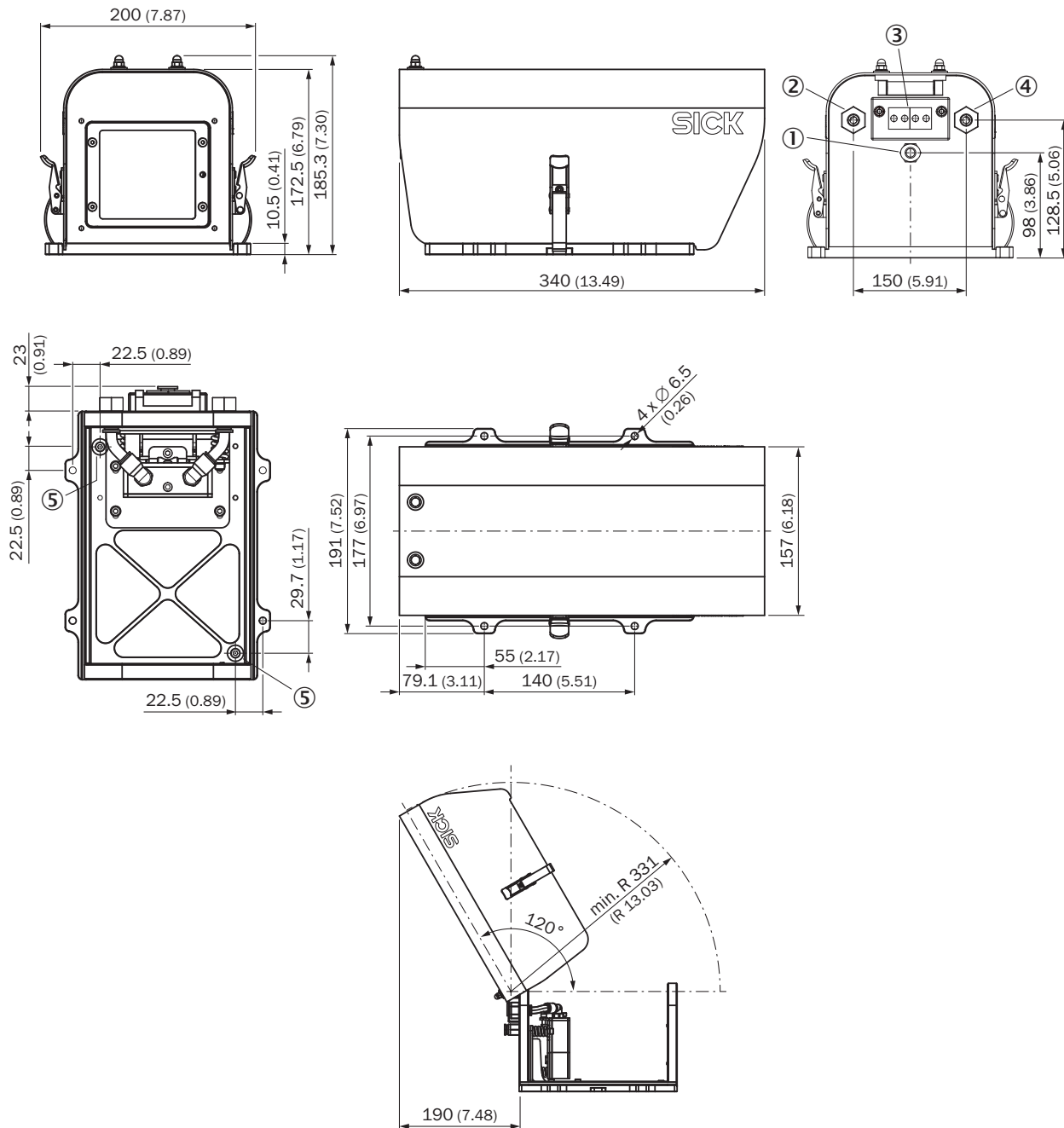
#### Features

<b>Product segment</b>	Device protection and care
<b>Product</b>	Protective housing
<b>Description</b>	Min. cooling water flow rate 2 l/min, max. water pressure 6 bar. The housing and the optional protective tube can be flushed out with compressed air (max. 100 mbar). The housing can be opened from the top without a tool. Due to space constraints, connecting cables with 90° angled, pre-assembled male connectors/female connectors are required.
<b>Items supplied</b>	Heavy-duty protective housing with water cooling, alignment bracket and front screen (pre-installed). The tube for the heavy-duty protective housing is not included with delivery.
<b>Material</b>	Housing: aluminum. Attachments: stainless steel, zinc coated and passivated steel, plastic, EPDM, NBR, elastomer, glass
<b>Ambient operating temperature</b>	+95 °C, at a cooling water temperature of 20 °C +80 °C, at a cooling water temperature of 30 °C +75 °C, at a cooling water temperature of 35 °C
<b>Weight</b>	4.2 kg

#### Classifications

<b>ECLASS 5.0</b>	27279202
<b>ECLASS 5.1.4</b>	27279202
<b>ECLASS 6.0</b>	27279202
<b>ECLASS 6.2</b>	27279202
<b>ECLASS 7.0</b>	27279202
<b>ECLASS 8.0</b>	27279202
<b>ECLASS 8.1</b>	27279202
<b>ECLASS 9.0</b>	27273701
<b>ECLASS 10.0</b>	27273701
<b>ECLASS 11.0</b>	27273701
<b>ECLASS 12.0</b>	27273701
<b>ETIM 5.0</b>	EC000202
<b>ETIM 6.0</b>	EC000202
<b>ETIM 7.0</b>	EC000202
<b>ETIM 8.0</b>	EC000202
<b>UNSPSC 16.0901</b>	32131023

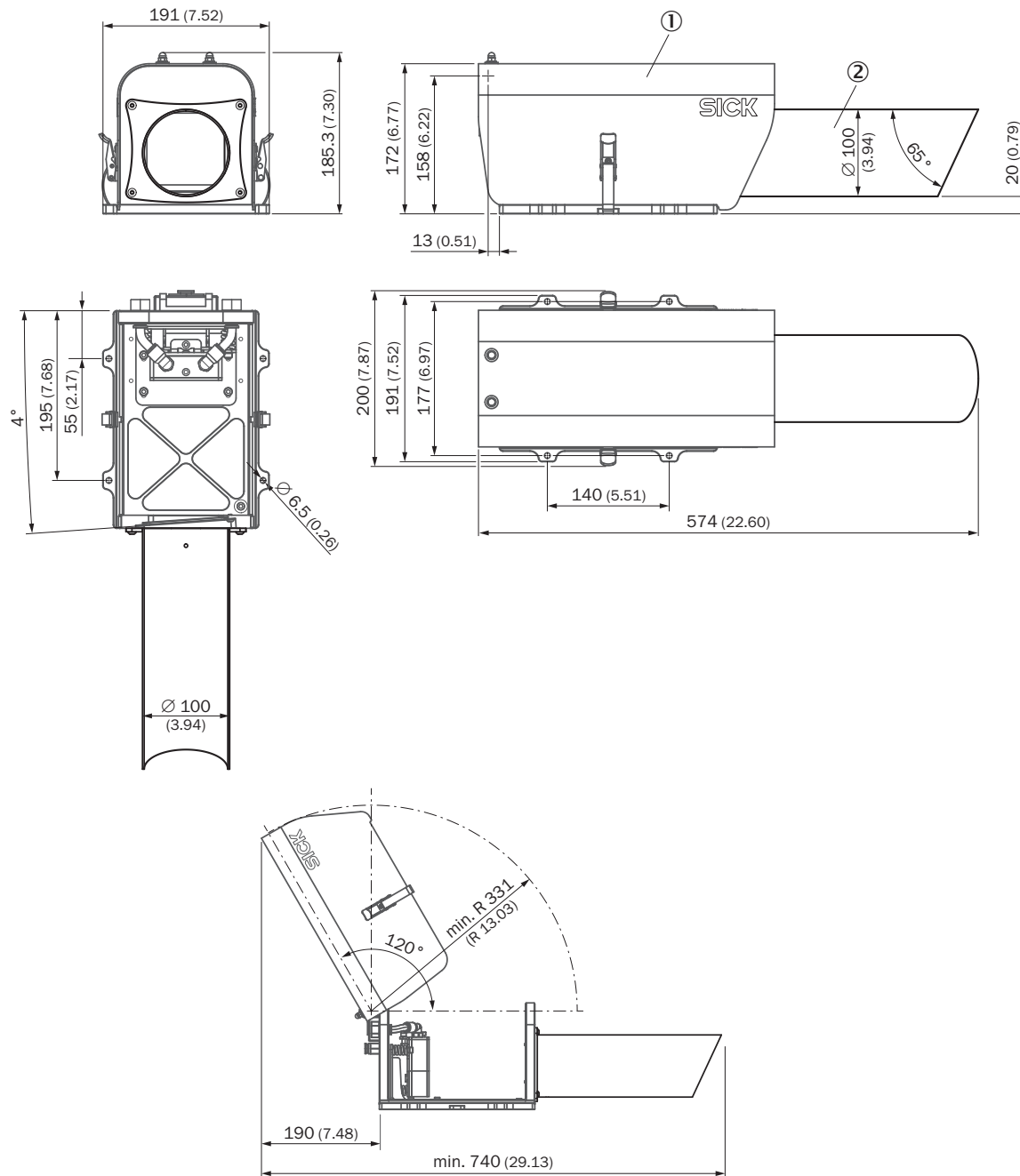
### Dimensional drawing Heavy-duty protective housing with water cooling



Dimensions in mm (inch)

- ① Inlet for compressed air, push-in fitting for 10 mm connection hose, max. pressure 100 mbar (follow instructions for mounting)
- ② Inlet/outlet for cooling water, female thread G ¼, max. water pressure 6 bar, minimum flow rate 2 l/min
- ③ Entry for connecting cables (follow instructions for mounting)
- ④ Inlet/outlet for cooling water, female thread G ¼, max. water pressure 6 bar, minimum flow rate 2 l/min
- ⑤ 2x outlet bores for draining condensate water (sealed with screws on delivery)

### Dimensional drawing Heavy-duty protective housing with water cooling and tube

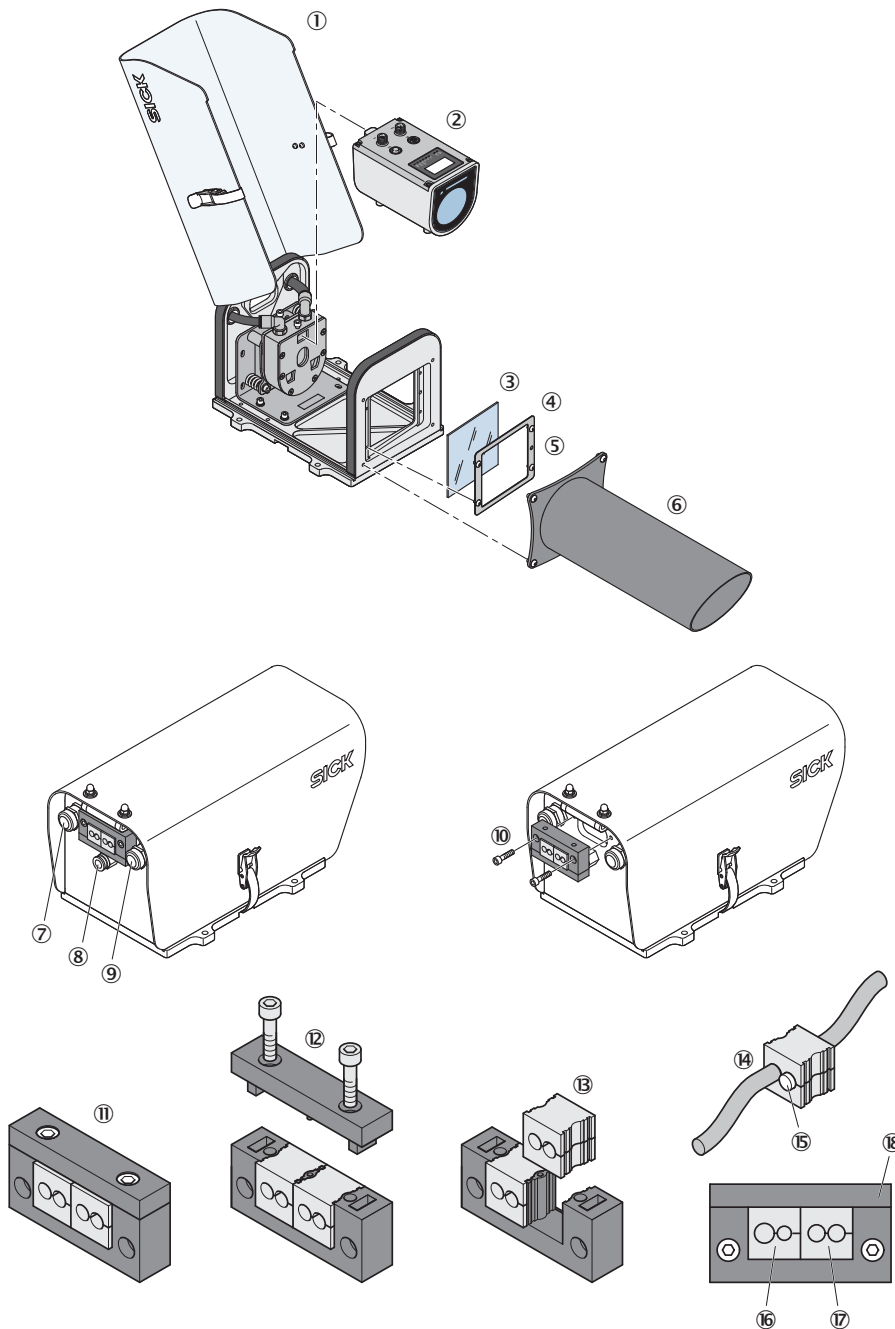


Dimensions in mm (inch)

① Heavy-duty protective housing with water cooling (part number 2087692)

② Tube for heavy-duty protective housing (part number 2087694)

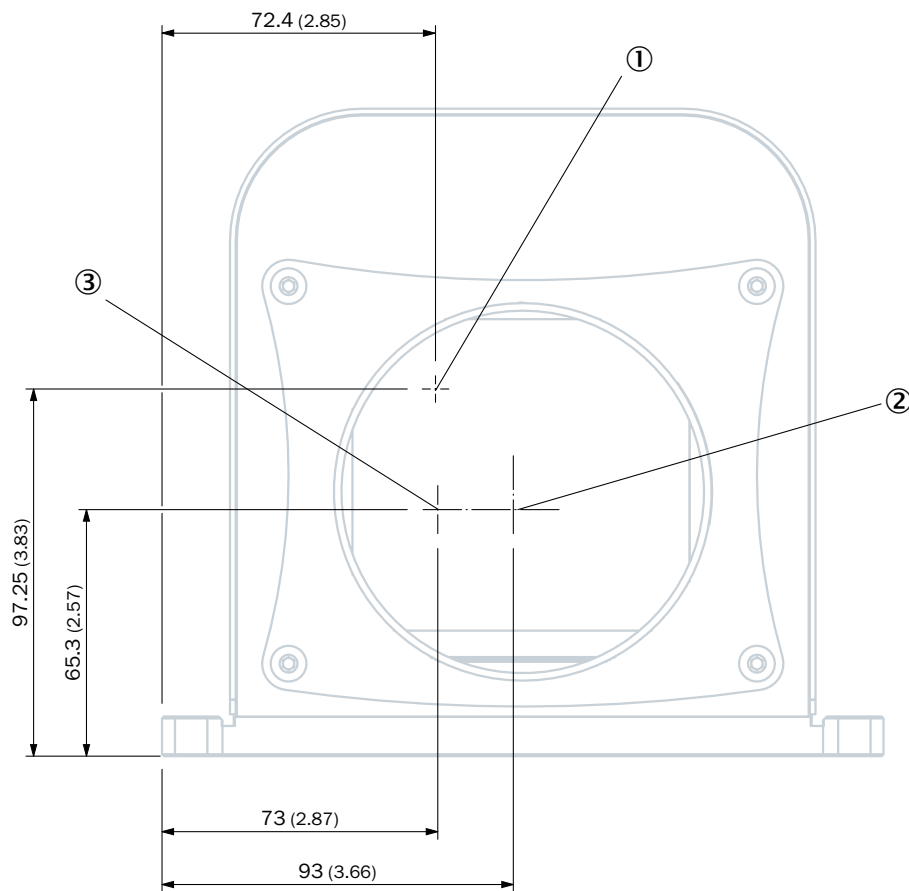
### Instruction for installation Heavy-duty protective housing with water cooling



- ① Heavy-duty protective housing with water cooling (part number 2087692)
- ② Dx1000
- ③ Front screen (part number 4090054)
- ④ Front screen frame
- ⑤ Outlet for compressed air; for connection for operation without compressed-air flushing: mount disc frame rotated through 180°
- ⑥ Tube for heavy-duty protective housing (part number 2087694)
- ⑦ Inlet/outlet for cooling water, female thread G 1/4, max. water pressure 6 bar, minimum flow rate 2 l/min
- ⑧ Inlet for compressed air, push-in fitting for 10 mm connection hose, max. pressure 100 mbar, air outlet (5) must be open for compressed-air operation
- ⑨ Inlet/outlet for cooling water, female thread G 1/4, max. water pressure 6 bar, minimum flow rate 2 l/min
- ⑩ Loosen 2x hexagon socket screws (M5x16) at entry for connecting cables
- ⑪ Remove entry for connecting cables and rotate through 180°
- ⑫ Loosen 2x hexagon socket screws (M5x30) and remove bracket

- ⑬ Remove cable sleeves
- ⑭ Push connecting cables into cable sleeves (note cable diameter)
- ⑮ Seal unused entries with dummy plugs
- ⑯ Cable sleeve with cable entry  $\varnothing$  7 mm (power) /  $\varnothing$  5 mm (auxiliary)
- ⑰ Cable sleeve with cable entry  $\varnothing$  6 mm (Ethernet) /  $\varnothing$  6 mm (Ethernet)
- ⑱ Mounting in reverse order

### Instruction for installation Position of laser axes



- ① Optical axis, alignment laser
- ② Optical axis, receiver
- ③ Optical axis, measurement laser

## SICK AT A GLANCE

SICK is one of the leading manufacturers of intelligent sensors and sensor solutions for industrial applications. A unique range of products and services creates the perfect basis for controlling processes securely and efficiently, protecting individuals from accidents and preventing damage to the environment.

We have extensive experience in a wide range of industries and understand their processes and requirements. With intelligent sensors, we can deliver exactly what our customers need. In application centers in Europe, Asia and North America, system solutions are tested and optimized in accordance with customer specifications. All this makes us a reliable supplier and development partner.

Comprehensive services complete our offering: SICK LifeTime Services provide support throughout the machine life cycle and ensure safety and productivity.

For us, that is “Sensor Intelligence.”

## WORLDWIDE PRESENCE:

Contacts and other locations –[www.sick.com](http://www.sick.com)