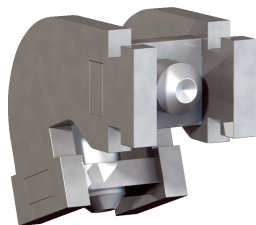


BEF-KHZTS125MPA

Brackets

MOUNTING SYSTEMS

SICK
Sensor Intelligence.



Ordering information

| Type | part no. |
|-----------------|----------|
| BEF-KHZTS125MPA | 2086759 |

Other models and accessories → www.sick.com/Brackets

Detailed technical data

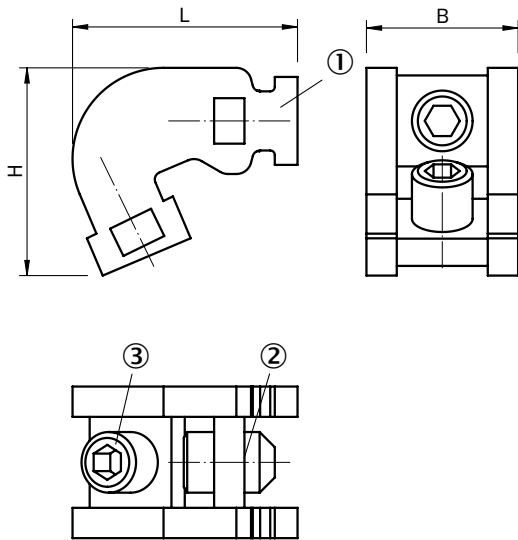
Features

| | |
|-------------------------------|---|
| Accessory group | Mounting systems |
| Accessory family | Brackets |
| Description | Sensor adapter CP96-125 |
| Material | Stainless steel V2A |
| Dimensions (W x H x L) | 10 mm x 12.2 mm x 14.6 mm |
| Usable for | MPA-107 mm ... 251 mm (sensor measuring range), 2 (recommended number of brackets) MPA-287 mm ... 431 mm (measuring range sensor), 3 (recommended number mounting brackets) MPA-467 mm ... 647 mm (measuring range sensor), 4 (recommended number mounting brackets) MPA-683 mm ... 791 mm (measuring range sensor), 5 (recommended number mounting brackets) MPA-827 mm ... 1007 mm (measuring range sensor), 6 (recommended number mounting brackets) |
| Mounting system type | Adaptor |

Classifications

| | |
|-----------------------|----------|
| ECLASS 5.0 | 27279202 |
| ECLASS 5.1.4 | 27279202 |
| ECLASS 6.0 | 27279202 |
| ECLASS 6.2 | 27279202 |
| ECLASS 7.0 | 27279202 |
| ECLASS 8.0 | 27279202 |
| ECLASS 8.1 | 27279202 |
| ECLASS 9.0 | 27273701 |
| ECLASS 10.0 | 27273701 |
| ECLASS 11.0 | 27273701 |
| ECLASS 12.0 | 27273701 |
| ETIM 5.0 | EC002024 |
| ETIM 6.0 | EC002024 |
| ETIM 7.0 | EC002024 |
| ETIM 8.0 | EC002024 |
| UNSPSC 16.0901 | 32131023 |

Dimensional drawing



Dimensions in mm (inch)

- ① Sensor adapter
- ② Fixing screw SW 2.0 for sensor
- ③ Fixing screw SW 2.0 for cylinder

| | | L | H | W |
|---------|-----------------|----------|----------|----------|
| 2086756 | BEF-KHZTS063MPA | 12.6 | 11.7 | 10 |
| 2086757 | BEF-KHZTS080MPA | 14.8 | 13.7 | 10 |
| 2086758 | BEF-KHZTS100MPA | 14.8 | 12.9 | 10 |
| 2086759 | BEF-KHZTS125MPA | 14.6 | 12.2 | 10 |

SICK AT A GLANCE

SICK is one of the leading manufacturers of intelligent sensors and sensor solutions for industrial applications. A unique range of products and services creates the perfect basis for controlling processes securely and efficiently, protecting individuals from accidents and preventing damage to the environment.

We have extensive experience in a wide range of industries and understand their processes and requirements. With intelligent sensors, we can deliver exactly what our customers need. In application centers in Europe, Asia and North America, system solutions are tested and optimized in accordance with customer specifications. All this makes us a reliable supplier and development partner.

Comprehensive services complete our offering: SICK LifeTime Services provide support throughout the machine life cycle and ensure safety and productivity.

For us, that is “Sensor Intelligence.”

WORLDWIDE PRESENCE:

Contacts and other locations –www.sick.com