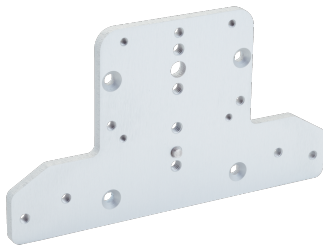


Adapter plate

Brackets

MOUNTING SYSTEMS

SICK
Sensor Intelligence.



Ordering information

Type	part no.
Adapter plate	2085937

Other models and accessories → www.sick.com/Brackets

Detailed technical data

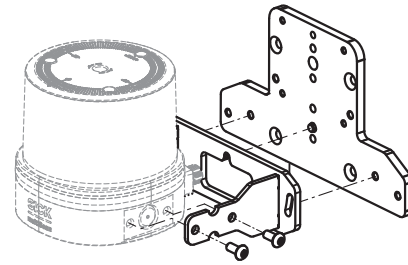
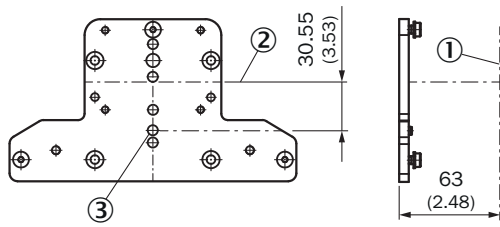
Features

Accessory group	Mounting systems
Accessory family	Brackets
Description	Adapter plate for mounting the sensor to accessory components Adapter plate for ICL80
Suitable for	LRS4000, LMS1xx, LMS1000, MRS1000, multiScan100
Material	Aluminum (anodised)
Items supplied	Adapter plate 3 x cylinder head screws with M5 x 8 washers
Dimensions (W x H x L)	180.3 mm x 6 mm x 124.5 mm
Weight	190 g
Mounting system type	Adaptor

Classifications

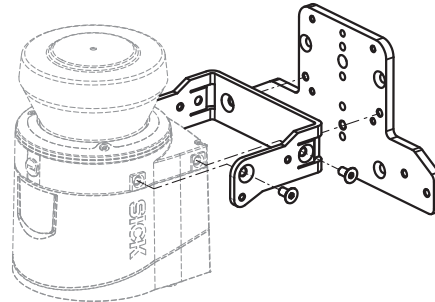
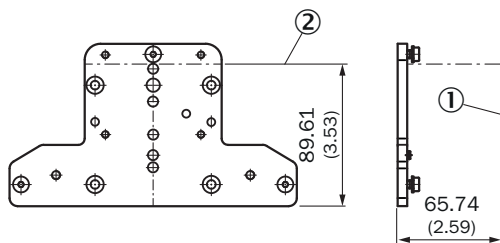
ECLASS 5.0	27279202
ECLASS 5.1.4	27279202
ECLASS 6.0	27279202
ECLASS 6.2	27279202
ECLASS 7.0	27279202
ECLASS 8.0	27279202
ECLASS 8.1	27279202
ECLASS 9.0	27273701
ECLASS 10.0	27273701
ECLASS 11.0	27273701
ECLASS 12.0	27273701
ETIM 5.0	EC002024
ETIM 6.0	EC002024
ETIM 7.0	EC002024
ETIM 8.0	EC002024
UNSPSC 16.0901	32131023

Dimensional drawing



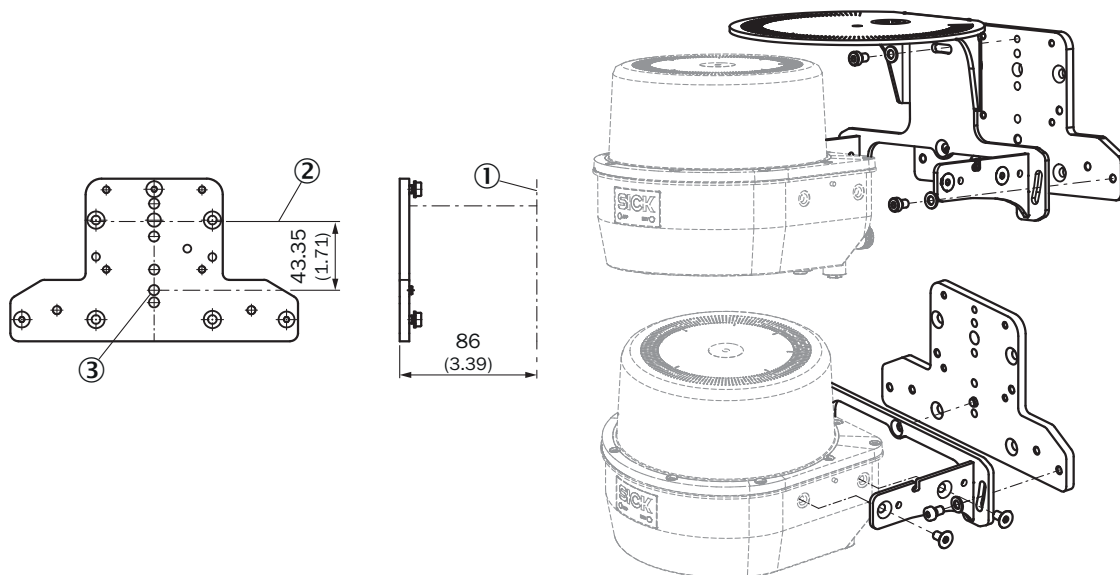
Dimensions in mm (inch)
Adapter plate with multiScan bracket
① Scan axis
② Scan axis 0°
③ Rotation axis

Dimensional drawing



Dimensions in mm (inch)
Adapter plate with LMS1xx simple bracket
① Scan axis
② Scan axis 0°

Dimensional drawing



Dimensions in mm (inch)

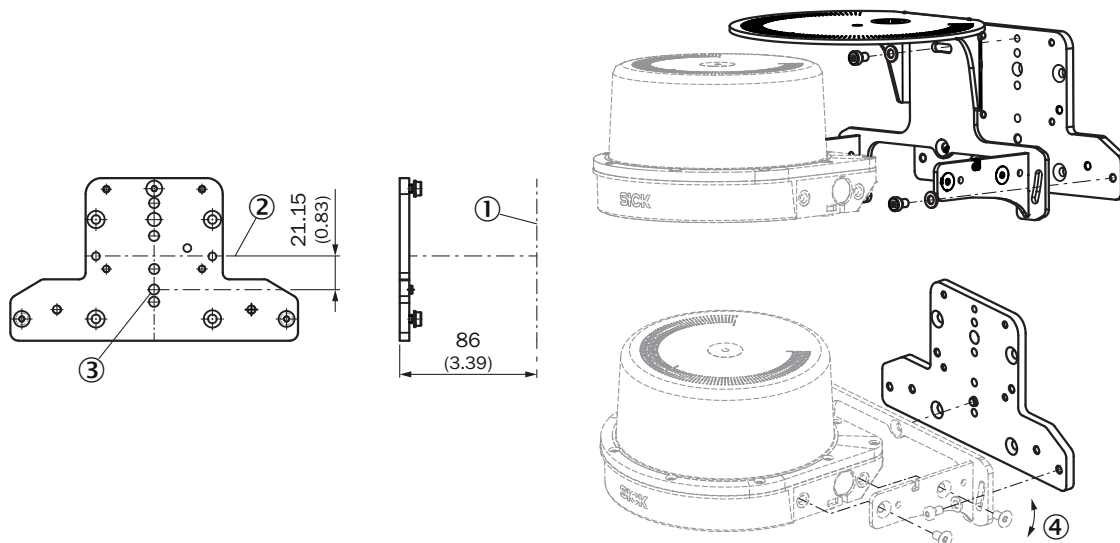
Adapter plate with LRS4xxx weather protection

① Scan axis

② Scan axis 0°

③ Rotation axis

Dimensional drawing



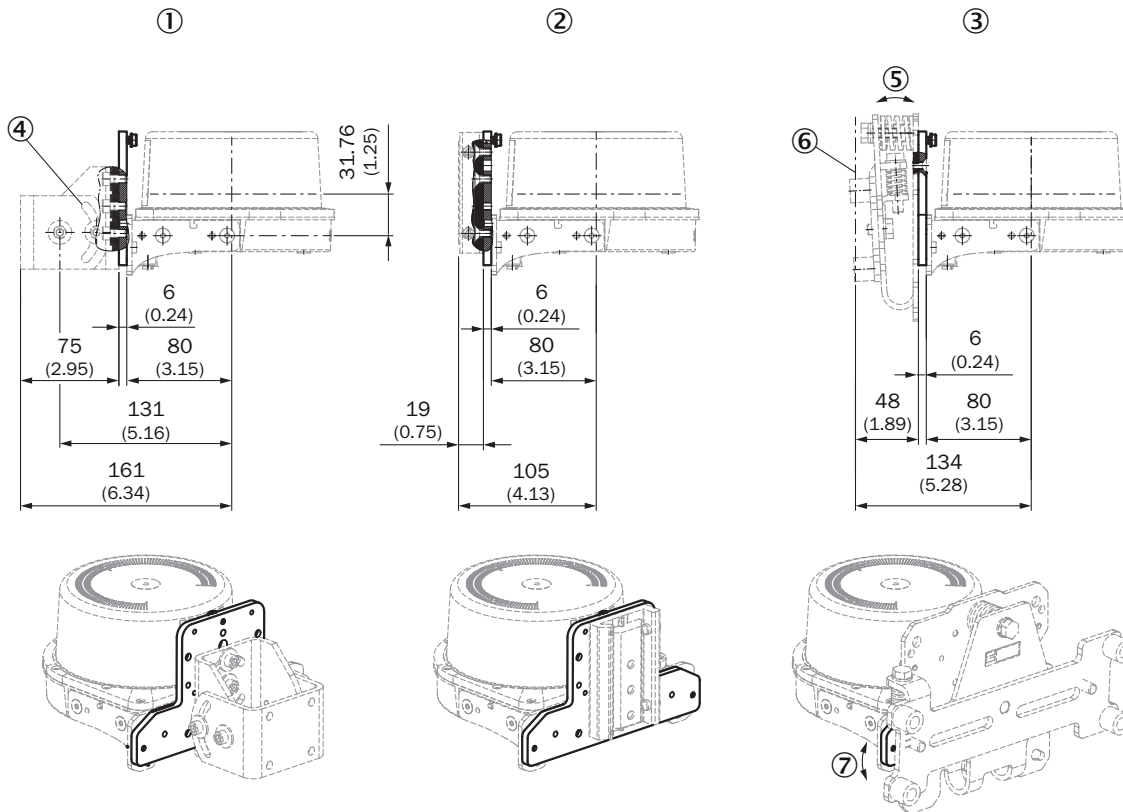
Dimensions in mm (inch)

Adapter plate with LMS/MRS1xxx weather protection

① Scan axis

- ② Scan axis 0°
- ③ Rotation axis
- ④ Adjustment angle +/- 5.5°

Dimensional drawing

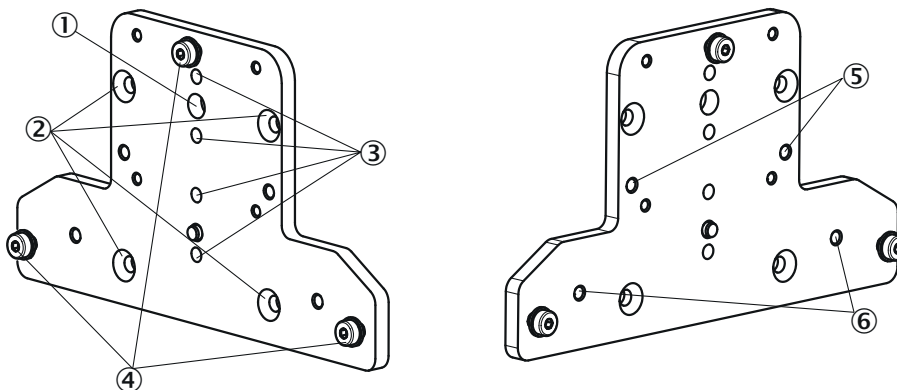
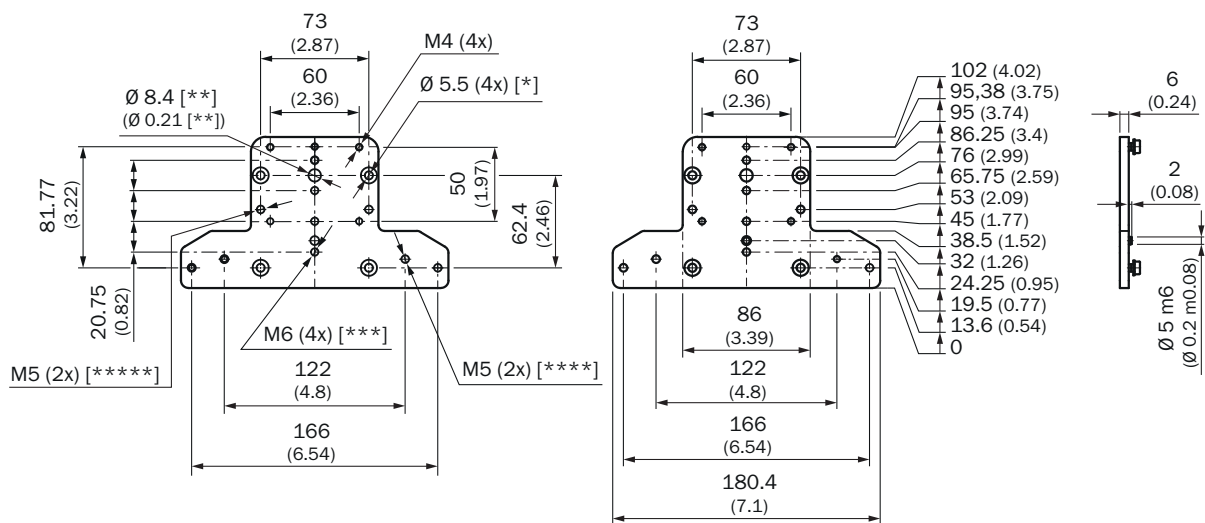


Dimensions in mm (inch)

Adapter plate with accessories: quick release, mounting bracket, fine adjustment bracket

- ① Mounting bracket (2046025) not included with delivery!
- ② Quick release (2046989) not included with delivery!
- ③ Fine adjustment bracket (2076764) not included with delivery!
- ④ Adjustment angle +/- 45°
- ⑤ Adjustment angle +/- 2°
- ⑥ Measurement in 0° setting
- ⑦ Adjustment angle + 2° / - 3°

Dimensional drawing



Dimensions in mm (inch)

Adapter plate

① Post bracket (2079939)

② Post bracket (2079939)

③ Mounting kit for weather protection hood (2046025), mounting kit for quick release (2046989)

④ 3x cylinder head screws with M5 x 8 washers, DIN125-A2

⑤ Mounting kit 1a (2034324)

⑥ Simple bracket (2128226), adjustment bracket (2124591)

SICK AT A GLANCE

SICK is one of the leading manufacturers of intelligent sensors and sensor solutions for industrial applications. A unique range of products and services creates the perfect basis for controlling processes securely and efficiently, protecting individuals from accidents and preventing damage to the environment.

We have extensive experience in a wide range of industries and understand their processes and requirements. With intelligent sensors, we can deliver exactly what our customers need. In application centers in Europe, Asia and North America, system solutions are tested and optimized in accordance with customer specifications. All this makes us a reliable supplier and development partner.

Comprehensive services complete our offering: SICK LifeTime Services provide support throughout the machine life cycle and ensure safety and productivity.

For us, that is “Sensor Intelligence.”

WORLDWIDE PRESENCE:

Contacts and other locations –www.sick.com